

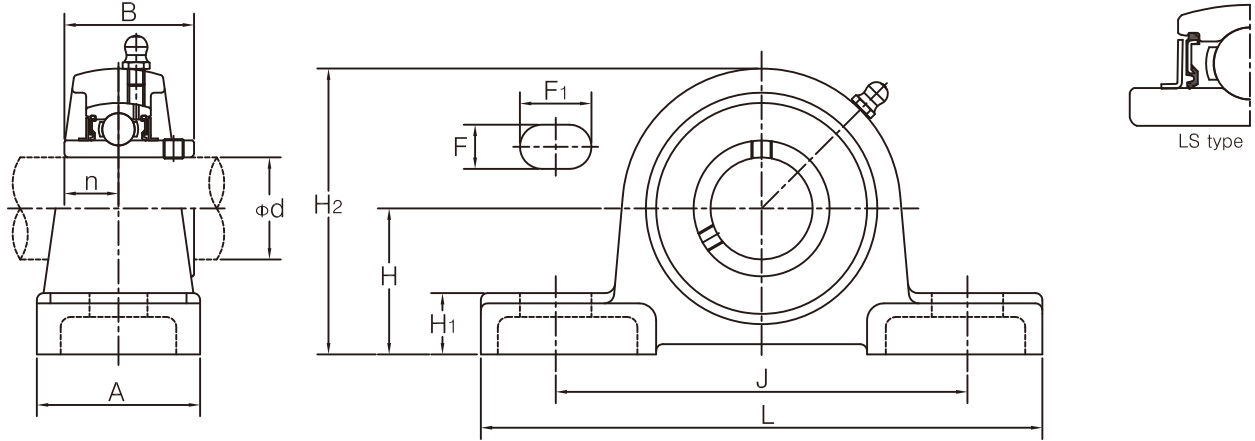
**D. Stainless series  
dimension table**

1. SUCP2	-----	D01
2. SUCF2	-----	D02
3. SUCFL2	-----	D03
4. SUCT2	-----	D04
5. SUC2	-----	D05

STAINLESS SERIES PILLOW BLOCK UNITS

**SUCP2**

(Cylindrical bore)

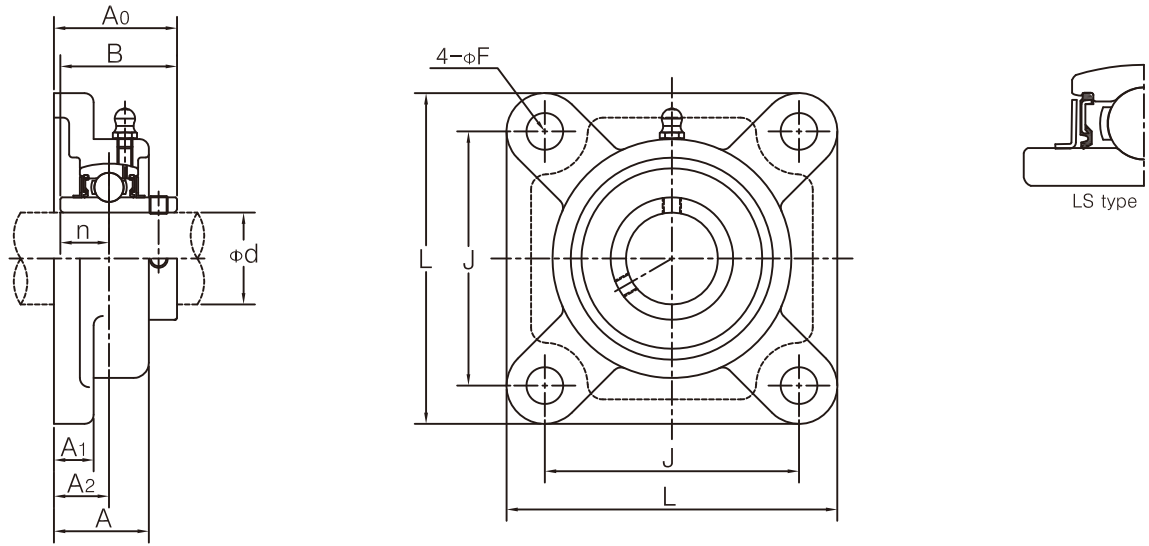


Unit No.	Shaft Dia.		Dimensions (in. / mm)										Bolt used		Bearing No.	Housing No.	Weight (kgf)
	d		H	L	A	J	F	F1	H1	H2	B	n	(mm)	(in.)			
	(in.)	(mm)															
SUCP 201	1/2	12													SUC 201		0.71
201-8															201-8		0.71
202		15													202		0.69
202-10	5/8	17	1 <sup>5</sup> / <sub>16</sub>	4 <sup>59</sup> / <sub>64</sub>	1 <sup>3</sup> / <sub>16</sub>	3 <sup>47</sup> / <sub>64</sub>	3 <sup>3</sup> / <sub>64</sub>	3/4	1 <sup>5</sup> / <sub>32</sub>	2 <sup>33</sup> / <sub>64</sub>	1.2205	0.5000	10	3/8	202-10	SP 204	0.69
203			33.3	125	30	95	13	19	12	64	31.0	12.7			203		0.68
203-11	11/16														203-11		0.68
204-12	3/4														204-12		0.66
204		20													204		0.66
SUCP 205-13	13/16														SUC 205-13		0.8
205-14	7/8														205-14		0.8
205-15	15/16		1 <sup>7</sup> / <sub>16</sub>	5 <sup>33</sup> / <sub>64</sub>	1 <sup>17</sup> / <sub>64</sub>	4 <sup>9</sup> / <sub>64</sub>	3 <sup>3</sup> / <sub>64</sub>	3/4	3 <sup>3</sup> / <sub>64</sub>	2 <sup>3</sup> / <sub>4</sub>	1.3425	0.5630	10	3/8	205-15	SP 205	0.8
205		25	36.5	140	32	105	13	19	13	70	34.1	14.3			205		0.8
205-16	1														205-16		0.8
SUCP 206-17	1 <sup>1</sup> / <sub>16</sub>														SUC 206-17		1.3
206-18	1 <sup>1</sup> / <sub>8</sub>														206-18		1.3
206		30	1 <sup>11</sup> / <sub>16</sub>	6 <sup>19</sup> / <sub>64</sub>	1 <sup>27</sup> / <sub>64</sub>	4 <sup>49</sup> / <sub>64</sub>	4 <sup>3</sup> / <sub>64</sub>	5 <sup>3</sup> / <sub>64</sub>	3 <sup>5</sup> / <sub>64</sub>	3 <sup>15</sup> / <sub>64</sub>	1.5000	0.6260	14	1/2	206	SP 206	1.3
206-19			42.9	160	36	121	17	21	14	82	38.1	15.9			206-19		1.3
206-20	1 <sup>3</sup> / <sub>16</sub>														206-20		1.3
SUCP 207-20	1 <sup>1</sup> / <sub>4</sub>														SUC 207-20		1.6
207-21	1 <sup>5</sup> / <sub>16</sub>														207-21		1.6
207-22	1 <sup>3</sup> / <sub>8</sub>		1 <sup>7</sup> / <sub>8</sub>	6 <sup>17</sup> / <sub>32</sub>	1 <sup>1</sup> / <sub>2</sub>	5	4 <sup>3</sup> / <sub>64</sub>	5 <sup>3</sup> / <sub>64</sub>	1 <sup>9</sup> / <sub>32</sub>	3 <sup>5</sup> / <sub>8</sub>	1.6890	0.6890	14	1/2	207-22	SP 207	1.6
207		35	47.6	166	38	127	17	21	15	92	42.9	17.5			207		1.6
207-23	1 <sup>7</sup> / <sub>16</sub>														207-23		1.6
SUCP 208-24	1 <sup>1</sup> / <sub>2</sub>		1 <sup>15</sup> / <sub>16</sub>	7 <sup>3</sup> / <sub>64</sub>	1 <sup>21</sup> / <sub>32</sub>	5 <sup>25</sup> / <sub>64</sub>	4 <sup>3</sup> / <sub>64</sub>	5 <sup>3</sup> / <sub>64</sub>	1 <sup>9</sup> / <sub>32</sub>	3 <sup>55</sup> / <sub>64</sub>	1.9370	0.7480	14	1/2	SUC 208-24		2.0
208-25	1 <sup>9</sup> / <sub>16</sub>		49.2	179	42	137	17	21	15	98	49.2	19.0			208-25	SP 208	2.0
208		40													208		2.0
SUCP 209-26	1 <sup>5</sup> / <sub>8</sub>														SUC 209-26		2.2
209-27	1 <sup>11</sup> / <sub>16</sub>		2 <sup>1</sup> / <sub>8</sub>	7 <sup>9</sup> / <sub>32</sub>	1 <sup>47</sup> / <sub>64</sub>	5 <sup>3</sup> / <sub>4</sub>	4 <sup>3</sup> / <sub>64</sub>	5 <sup>3</sup> / <sub>64</sub>	4 <sup>3</sup> / <sub>64</sub>	4 <sup>9</sup> / <sub>64</sub>	1.9370	0.7480	14	1/2	209-27	SP 209	2.2
209-28	1 <sup>3</sup> / <sub>4</sub>		54.0	185	44	146	17	21	17	105	49.2	19.0			209-28		2.2
209		45													209		2.2
SUCP 210-29	1 <sup>13</sup> / <sub>16</sub>														SUC 210-29		2.9
210-30	1 <sup>7</sup> / <sub>8</sub>														210-30		2.9
210-31	1 <sup>15</sup> / <sub>16</sub>		2 <sup>1</sup> / <sub>4</sub>	7 <sup>29</sup> / <sub>32</sub>	1 <sup>57</sup> / <sub>64</sub>	6 <sup>17</sup> / <sub>64</sub>	2 <sup>5</sup> / <sub>32</sub>	1	4 <sup>5</sup> / <sub>64</sub>	4 <sup>13</sup> / <sub>32</sub>	2.0315	0.7480	16	5/8	210-31	SP 210	2.9
210		50	57.2	201	48	159	20	25	18	112	51.6	19.0			210		2.9
210-32	2														210-32		2.9
SUCP 211-31	1 <sup>15</sup> / <sub>16</sub>														SUC 211-31		3.6
211-32	2		2 <sup>1</sup> / <sub>2</sub>	8 <sup>27</sup> / <sub>64</sub>	1 <sup>31</sup> / <sub>32</sub>	6 <sup>47</sup> / <sub>64</sub>	2 <sup>5</sup> / <sub>32</sub>	1	2 <sup>5</sup> / <sub>32</sub>	4 <sup>27</sup> / <sub>32</sub>	2.1890	0.8740	16	5/8	211-32	SP 211	3.6
211-34	2 <sup>1</sup> / <sub>8</sub>		63.5	214	50	171	20	25	20	123	55.6	22.2			211-34		3.6
211		55													211		3.6
211-35	2 <sup>3</sup> / <sub>16</sub>														211-35		3.6
SUCP 212-36	2 <sup>1</sup> / <sub>4</sub>														SUC 212-36		4.9
212		60	2 <sup>3</sup> / <sub>4</sub>	9 <sup>19</sup> / <sub>64</sub>	2 <sup>13</sup> / <sub>64</sub>	7 <sup>15</sup> / <sub>64</sub>	2 <sup>5</sup> / <sub>32</sub>	1	5 <sup>5</sup> / <sub>64</sub>	5 <sup>5</sup> / <sub>16</sub>	2.5630	1.0000	16	5/8	212	SP 212	4.9
212-37	2 <sup>5</sup> / <sub>16</sub>		69.8	236	56	184	20	25	22	135	65.1	25.4			212-37		4.9
212-38	2 <sup>3</sup> / <sub>8</sub>														212-38		4.9
212-39	2 <sup>7</sup> / <sub>16</sub>														212-39		4.9

STAINLESS SERIES SQUARE FLANGE TYPE UNITS

# SUCF2

(Cylindrical bore)

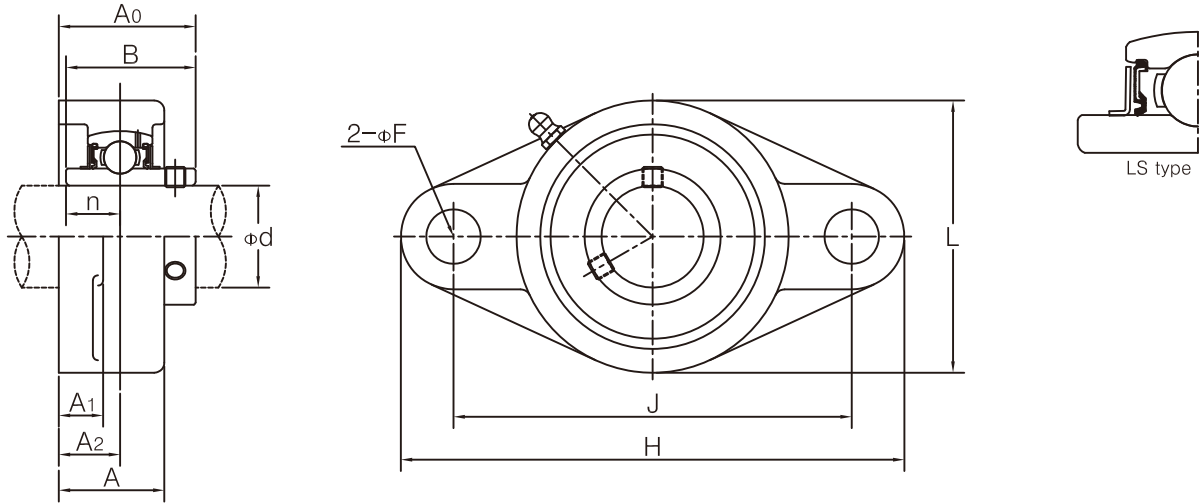


Unit No.	Shaft Dia.		Dimensions (in./mm)										Bolt used		Bearing No.	Housing No.	Weight (kgf)												
	d		L	A	J	F	A <sub>1</sub>	A <sub>2</sub>	A <sub>0</sub>	B	n	(mm)	(in.)																
	(in.)	(mm)																											
SUCF 201	1/2	12	3 <sup>25/64</sup>	1	2 <sup>33/64</sup>	15/32	15/32	19/32	15/16	1.2205	0.5000	10	3/8	SUC 201	SF 204	0.64													
201-8		0.64																											
202		0.62																											
202-10		0.62																											
203		0.61																											
SUCF 203-11	5/8	15	86	25.5	64	12	12	15	33.3	31.0	12.7	10	3/8	SUC 203-11	SF 205	0.61													
204-12		0.59																											
204		0.59																											
SUCF 205-13		11/16												17		95	27	70	12	14	16	35.8	34.1	14.3	10	3/8	SUC 205-13	SF 206	0.83
205-14														0.83															
205-15	0.83																												
205	0.83																												
205-16	0.83																												
SUCF 206-17	13/16	20	108	31	83	12	14	18	40.2	38.1	15.9	10	3/8	SUC 206-17	SF 207	1.1													
206-18		1.1																											
206		1.1																											
206-19		1.1																											
206-20		1.1																											
SUCF 207-20	11/8	30	116	34	92	14	15.5	3/4	19	44.4	42.9	12	7/16	SUC 207-20	SF 208	1.5													
207-21		1.5																											
207-22		1.5																											
207		1.5																											
207-23		1.5																											
SUCF 208-24	13/16	35	129	36	102	16	15.5	53/64	21	51.2	49.2	14	1/2	SUC 208-24	SF 209	1.9													
208-25		1.9																											
208		1.9																											
SUCF 209-26		17/16												40		136.5	38	105	16	17.5	22	52.2	49.2	19.0	14	1/2	SUC 209-26	SF 210	2.2
209-27														2.2															
209-28	2.2																												
209	2.2																												
SUCF 210-29	11/16		45	142.5	40	111	16	17.5	55/64	22	54.6	51.6	14	1/2	SUC 210-29												SF 211		2.5
210-30		2.5																											
210-31		2.5																											
210		2.5																											
210-32		2.5																											
SUCF 211-31	17/8	50	162	43	130	19	19.5	1	25	58.4	55.6	16	5/8	SUC 211-31	SF 212	3.4													
211-32		3.4																											
211-34		3.4																											
211		3.4																											
211-35		3.4																											
SUCF 212-36	21/8	55	175	48	143	19	19.5	19/64	29	68.7	65.1	16	5/8	SUC 212-36	SF 212	4.2													
212		4.2																											
212-37		4.2																											
212-38		4.2																											
212-39		4.2																											

STAINLESS SERIES OVAL FLANGE TYPE UNITS

# SUCFL2

(Cylindrical bore)

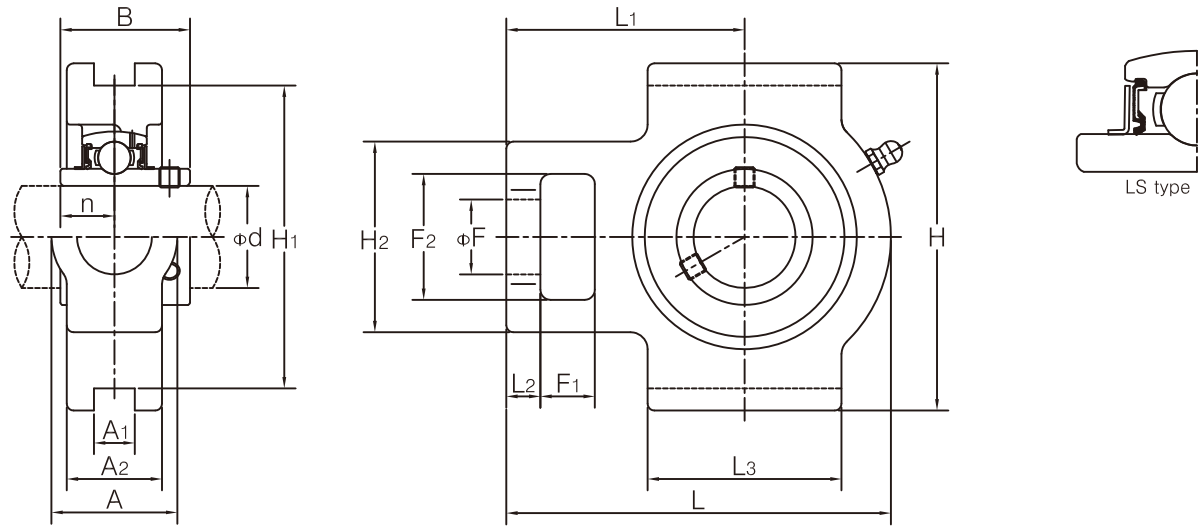


Unit No.	Shaft Dia.		Dimensions (in./mm)										Bolt used		Bearing No.	Housing No.	Weight (kgf)
	d		H	L	A	J	F	A <sub>1</sub>	A <sub>2</sub>	A <sub>0</sub>	B	n	(mm)	(in.)			
	(in.)	(mm)															
SUCFL 201	1/2	12													SUC 201	SFL 204	0.50
201-8		15													201-8		0.50
202		17	4 <sup>13</sup> / <sub>32</sub>	2 <sup>23</sup> / <sub>64</sub>	1	3 <sup>35</sup> / <sub>64</sub>	1 <sup>5</sup> / <sub>32</sub>	7 <sup>16</sup> / <sub>32</sub>	1 <sup>19</sup> / <sub>32</sub>	1 <sup>15</sup> / <sub>16</sub>	1.2205	0.5000	10	3/8	202		0.48
202-10		112	60	25.5	90	12	11	15	33.3	31.0	12.7			202-10	0.48		
203		112	60	25.5	90	12	11	15	33.3	31.0	12.7			203	0.47		
203-11	11/16	20													SUC 205-13	SFL 205	0.47
204-12	3/4														205-14		0.45
204	125		65	27	99	16	12.5	16	35.8	34.1	14.3	14	1/2	205	0.64		
SUCFL 205-13	13/16	25													SUC 205-13	SFL 205	0.64
205-14	7/8		4 <sup>59</sup> / <sub>64</sub>	2 <sup>9</sup> / <sub>16</sub>	1 <sup>11</sup> / <sub>16</sub>	3 <sup>57</sup> / <sub>64</sub>	5/8	3 <sup>1</sup> / <sub>64</sub>	5/8	1 <sup>13</sup> / <sub>32</sub>	1.3425	0.5630	14	1/2	205-14		0.64
205-15	15/16		125	65	27	99	16	12.5	16	35.8	34.1	14.3	14	1/2	205-15		0.64
205	1														205		0.64
205-16	1														205-16		0.64
SUCFL 206-17	11/16	30													SUC 206-17	SFL 206	0.93
206-18	11/8		5 <sup>9</sup> / <sub>16</sub>	3	1 <sup>7</sup> / <sub>32</sub>	4 <sup>39</sup> / <sub>64</sub>	5/8	3 <sup>1</sup> / <sub>64</sub>	4 <sup>5</sup> / <sub>64</sub>	1 <sup>37</sup> / <sub>64</sub>	1.5000	0.6260	14	1/2	206-18		0.93
206	141		76	31	117	16	12.5	18	40.2	38.1	15.9	14	1/2	206	0.93		
206-19	13/16														206-19		0.93
206-20	11/4														206-20		0.93
SUCFL 207-20	11/4	35													SUC 207-20	SFL 207	1.2
207-21	15/16		6 <sup>9</sup> / <sub>64</sub>	3 <sup>25</sup> / <sub>64</sub>	1 <sup>11</sup> / <sub>32</sub>	5 <sup>1</sup> / <sub>8</sub>	5/8	1 <sup>17</sup> / <sub>32</sub>	3/4	1 <sup>3</sup> / <sub>4</sub>	1.6890	0.6890	14	1/2	207-21		1.2
207-22	13/8		156	86	34	130	16	13.5	19	44.4	42.9	17.5	14	1/2	207-22		1.2
207	17/16														207		1.2
207-23	17/16														207-23		1.2
SUCFL 208-24	11/2	40													SUC 208-24	SFL 208	1.6
208-25	19/16		6 <sup>49</sup> / <sub>64</sub>	3 <sup>25</sup> / <sub>32</sub>	1 <sup>27</sup> / <sub>64</sub>	5 <sup>43</sup> / <sub>64</sub>	5/8	1 <sup>17</sup> / <sub>32</sub>	5 <sup>3</sup> / <sub>64</sub>	2 <sup>1</sup> / <sub>64</sub>	1.9370	0.7480	14	1/2	208-24		1.6
208	172		96	36	144	16	13.5	21	51.2	49.2	19.0	14	1/2	208	1.6		
SUCFL 209-26	15/8	45													SUC 209-26	SFL 209	1.9
209-27	111/16		7 <sup>3</sup> / <sub>32</sub>	4 <sup>1</sup> / <sub>64</sub>	1 <sup>1</sup> / <sub>2</sub>	5 <sup>53</sup> / <sub>64</sub>	3/4	1 <sup>17</sup> / <sub>32</sub>	5 <sup>5</sup> / <sub>64</sub>	2 <sup>1</sup> / <sub>16</sub>	1.9370	0.7480	16	5/8	209-26		1.9
209-28	13/4		180	102	38	148	19	13.5	22	52.2	49.2	19.0	16	5/8	209-27		1.9
209															209-28		1.9
SUCFL 210-29	113/16	50													SUC 210-29	SFL 210	2.2
210-30	17/8		7 <sup>31</sup> / <sub>64</sub>	4 <sup>1</sup> / <sub>4</sub>	1 <sup>37</sup> / <sub>64</sub>	6 <sup>3</sup> / <sub>16</sub>	3/4	3 <sup>7</sup> / <sub>64</sub>	5 <sup>5</sup> / <sub>64</sub>	2 <sup>5</sup> / <sub>32</sub>	2.0315	0.7480	16	5/8	210-29		2.2
210-31	115/16		190	108	40	157	19	14.5	22	54.6	51.6	19.0	16	5/8	210-30		2.2
210	2														210		2.2
210-32	2														210-32		2.2
SUCFL 211-31	115/16	55													SUC 211-31	SFL 211	3.3
211-32	2		8 <sup>3</sup> / <sub>4</sub>	4 <sup>59</sup> / <sub>64</sub>	1 <sup>39</sup> / <sub>64</sub>	7 <sup>1</sup> / <sub>4</sub>	3/4	4 <sup>3</sup> / <sub>64</sub>	1	2 <sup>19</sup> / <sub>64</sub>	2.1890	0.8740	16	5/8	211-31		3.3
211-34	21/8		222	125	41	184	19	17	25	58.4	55.6	22.2	16	5/8	211-32		3.3
211															211-34		3.3
211-35	23/16														211		3.3
SUCFL 212-36	21/4	60													SUC 212-36	SFL 212	4.2
212	9 <sup>17</sup> / <sub>32</sub>		5 <sup>5</sup> / <sub>16</sub>	1 <sup>13</sup> / <sub>16</sub>	7 <sup>61</sup> / <sub>64</sub>	2 <sup>9</sup> / <sub>32</sub>	4 <sup>3</sup> / <sub>64</sub>	1 <sup>9</sup> / <sub>64</sub>	5 <sup>45</sup> / <sub>64</sub>	2.5630	1.0000	20	3/4	212	4.2		
212-37	25/16		242	135	46	202	23	17	29	68.7	65.1	25.4	20	3/4	212-37		4.2
212-38	23/8														212-38		4.2
212-39	27/16														212-39		4.2

STAINLESS SERIES TAKE-UP TYPE UNITS

**SUCT2**

(Cylindrical bore)

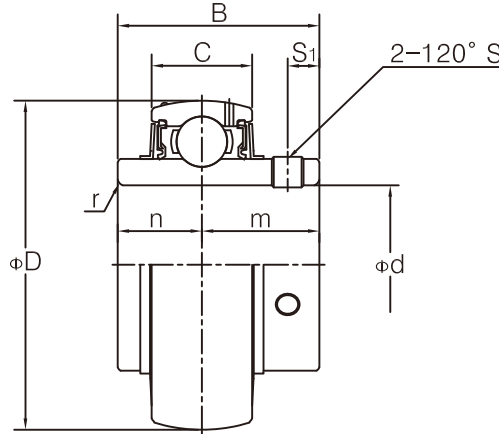


Unit No.	Shaft Dia.		Dimensions (in.) (mm)														Bearing No.	Housing No.	Weight (kgf)	
	d (in.)	d (mm)	A	A <sub>1</sub>	A <sub>2</sub>	H	H <sub>1</sub>	H <sub>2</sub>	L	L <sub>1</sub>	L <sub>2</sub>	L <sub>3</sub>	F	F <sub>1</sub>	F <sub>2</sub>	B				n
SUCT 201	1/2	12																SUC 201	ST 204	0.81
201-8		15																201-8		0.81
202		17	1 17/64	15/32	25/32	3 1/2	2 63/64	1 31/32	3 5/8	2 7/16	23/64	1 37/64	3/4	25/32	1 17/64	1.2205	0.5000	202		0.79
202-10		5/8	32	12	20	89	76	50	92	62	9	40	19	20	32	31.0	12.7	202-10		0.79
203	11/16	17	32	12	20	89	76	50	92	62	9	40	19	20	32	31.0	12.7	SUC 203	ST 204	0.78
203-11																		0.78		
204-12																		0.76		
204																		0.76		
SUCT 205-13	13/16	25	32	12	21	89	76	50	95	62	9	40	19	20	32	34.1	14.3	SUC 205-13	ST 205	0.84
205-14	7/8																	0.84		
205-15	15/16																	0.84		
205	0.84																			
205-16	1	0.84																		
SUCT 206-17	1 1/16	30	37	12	24	102	89	55	111	70	9	47	22	20	37	38.1	15.9	SUC 206-17	ST 206	1.3
206-18	1 1/8																	1.3		
206	1 3/16																	1.3		
206-19	1 1/4																	1.3		
206-20	1 1/4	1.3																		
SUCT 207-20	1 1/4	35	37	12	1	102	89	57	125	78	10	54	22	24	37	42.9	17.5	SUC 207-20	ST 207	1.6
207-21	1 5/16																	1.6		
207-22	1 3/8																	1.6		
207	1 7/16																	1.6		
207-23	1 7/16	1.6																		
SUCT 208-24	1 1/2	40	49	16	30	114	102	77	140	88	14	73	29	1	49	49.2	19.0	SUC 208-24	ST 208	2.5
208-25	1 9/16																	2.5		
208	2.5																			
208	2.5																			
SUCT 209-26	1 5/8	45	49	16	31	117	102	77	140	87	14	73	29	1	49	49.2	19.0	SUC 209-26	ST 209	2.4
209-27	1 11/16																	2.4		
209-28	1 3/4																	2.4		
209	2.4																			
SUCT 210-29	1 13/16	50	49	16	33	117	102	77	144	90	14	76	29	1	49	51.6	19.0	SUC 210-29	ST 210	2.6
210-30	1 7/8																	2.6		
210-31	1 15/16																	2.6		
210	2.6																			
210-32	2	2.6																		
SUCT 211-31	1 15/16	55	64	22	36	146	130	90	164	106	18	85	35	28	64	55.6	22.2	SUC 211-31	ST 211	4.0
211-32	2																	4.0		
211-34	2 1/8																	4.0		
211	4.0																			
211-35	2 3/16	4.0																		
SUCT 212-36	2 1/4	60	64	22	38	146	130	90	185	119	18	92	35	35	64	65.1	25.4	SUC 212-36	ST 212	4.9
212	4.9																			
212-37	2 5/16																	4.9		
212-38	2 3/8																	4.9		
212-39	2 7/16	4.9																		

STAINLESS SERIES SET SCREW TYPE BEARINGS

**SUC2**

(Cylindrical bore)



Unit No.	Shaft Dia.		Dimensions (in./mm)								Basic dynamic load rating (kgf)	Basic static load rating (kgf)	Weight (kgf)
	d		D	B	C	r	n	m	S <sub>1</sub>	S			
	(in.)	(mm)											
SUC 201	1/2	12	1.8504	1.2205	0.6299	0.0397	0.5000	0.7205	0.1969	M5 x 0.8 No.10-32UNF	1280	670	0.21
SUC 201-8		15											0.19
SUC 202		17											0.19
SUC 202-10		17											0.18
SUC 203	5/8	17	47	31.0	16	1.0	12.7	18.3	5				0.18
SUC 203-11	11/16	17											0.18
SUC 204-12	3/4	20											0.16
SUC 204	3/4	20											0.16
SUC 205-13	13/16	25	2.0472	1.3425	0.6693	0.0397	0.5630	0.7795	0.2165	M5 x 0.8 No.10-32UNF	1400	790	0.23
SUC 205-14	7/8												0.23
SUC 205-15	15/16												0.21
SUC 205	15/16												0.20
SUC 205-16	1	25	52	34.1	17	1.0	14.3	19.8	5.5				0.20
SUC 206-17	11/16	30	2.4409	1.5000	0.7480	0.0591	0.6260	0.8740	0.2165	M6 x 0.75 1/4-28UNF	1950	1130	0.34
SUC 206-18	11/8												0.34
SUC 206	13/16												0.32
SUC 206-19	13/16												0.32
SUC 206-20	11/4	30	62	38.1	19	1.5	15.9	22.2	5.5				0.32
SUC 207-20	11/4	35	2.8346	1.6890	0.7874	0.0591	0.6890	1.0000	0.2559	M6 x 0.75 1/4-28UNF	2570	1540	0.54
SUC 207-21	15/16												0.51
SUC 207-22	13/8												0.48
SUC 207	13/8												0.48
SUC 207-23	17/16	35	72	42.9	20	1.5	17.5	25.4	6.5				0.45
SUC 208-24	11/2	40	3.1496	1.9370	0.8268	0.0787	0.7480	1.1890	0.3346	M8 x 1.0 5/16-24UNF	2910	1790	0.68
SUC 208-25	19/16												0.65
SUC 208	19/16												0.64
SUC 209-26	15/8												40
SUC 209-27	111/16	45	3.3465	1.9370	0.8661	0.0787	0.7480	1.1890	0.3346	M8 x 1.0 5/16-24UNF	3200	2040	0.78
SUC 209-28	13/4												0.74
SUC 209	13/4												0.70
SUC 209-29	13/4												0.68
SUC 210-29	113/16	50	3.5433	2.0315	0.9055	0.0787	0.7480	1.2835	0.3937	M8 x 1.0 5/16-24UNF	3510	2320	0.87
SUC 210-30	17/8												0.87
SUC 210-31	115/16												0.82
SUC 210	115/16												0.80
SUC 210-32	2	50	90	51.6	23	2.0	19.0	32.6	10				0.80
SUC 211-31	115/16	55	3.9370	2.1890	0.9843	0.0787	0.8740	1.3150	0.3937	M8 x 1.0 5/16-24UNF	4330	2940	1.26
SUC 211-32	2												1.26
SUC 211-34	21/8												1.15
SUC 211	21/8												1.11
SUC 211-35	23/16	55	100	55.6	25	2.0	22.2	33.4	10				1.09
SUC 212-36	21/4	60	4.3307	2.5630	1.0630	0.0984	1.0000	1.5630	0.4724	M10 x 1.25 3/8-24UNF	5240	3610	1.67
SUC 212	21/4												1.54
SUC 212-37	25/16												1.54
SUC 212-38	23/8												1.52
SUC 212-39	27/16	60	110	65.1	27	2.5	25.4	39.7	12				1.45