

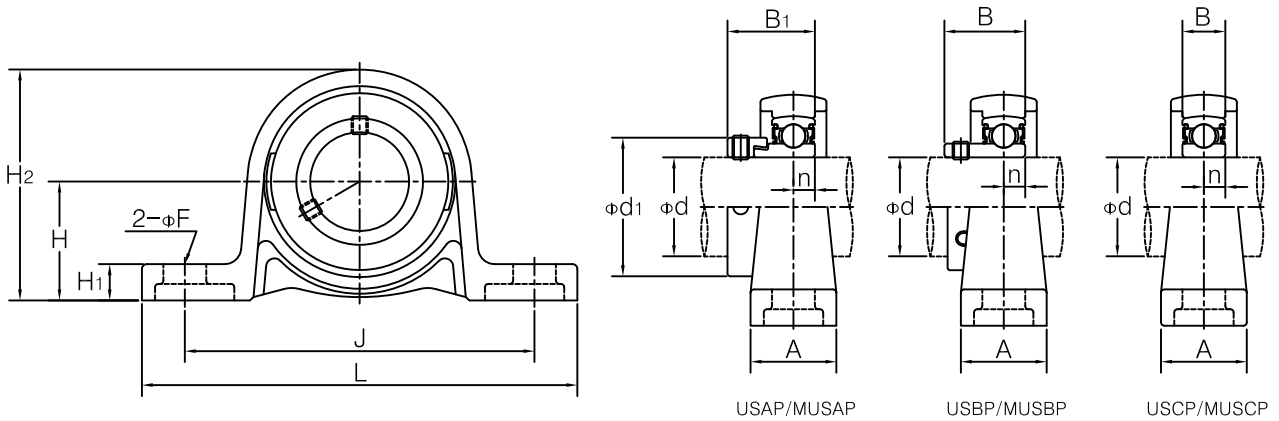
B. Dimension table

1. UP/MUP	-----	B01
2. UFL/MUFL	-----	B02
3. USB/MUSB	-----	B03
4. USA/MUSA	-----	B04
5. USC	-----	B05

CLEAN SERIES PILLOW BLOCK TYPE UNITS

UP MUP

(Clean series) (Stainless clean series)
(Cylindrical bore)



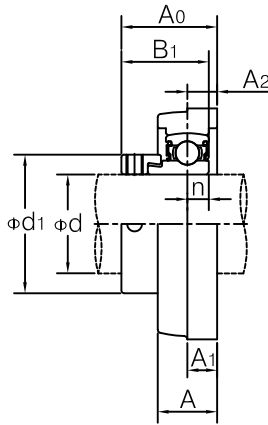
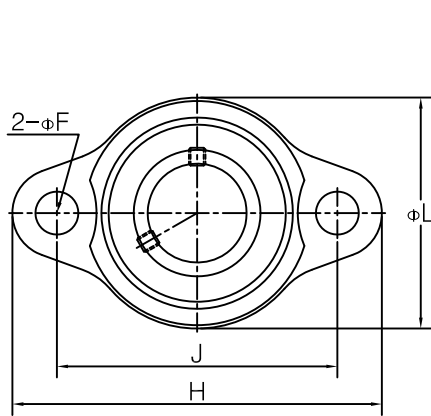
Unit No.	Shaft Dia. d(mm)	Dimensions (mm)										Bolt used	Bearing No.	Housing No.	Weight (g)
		H	L	A	J	H1	H2	B/B1	n	d1	F				
USAP/MUSAP USBP/MUSBP 08 USCP	8	15	55	13	42	5	29	15	3.5	14.5	4.8	M4	USA/MUSA USB/MUSB USC 08	P 08	47
								12.5	4.0						42
								7	3.5						38
USAP/MUSAP USBP/MUSBP 000 USCP	10	18	67	16	53	6	35	17.5	4	17	7	M6	USA/MUSA USB/MUSB USC 000	P 000	77
								15	5						70
								8	4						63
USAP/MUSAP USBP/MUSBP 001 USCP	12	19	71	16	56	6	38	17.5	4	19	7	M6	USA/MUSA USB/MUSB USC 001	P 001	91
								15	5						80
								8	4						77
USAP/MUSAP USBP/MUSBP 002 USCP	15	22	80	16	63	7	43	18.5	4.5	22	7	M6	USA/MUSA USB/MUSB USC 002	P 002	125
								16.5	5.5						120
								9	4.5						113
USAP/MUSAP USBP/MUSBP 003 USCP	17	24	85	18	67	7	47	20.5	5	25	7	M6	USA/MUSA USB/MUSB USC 003	P 003	156
								17.5	6						140
								10	5						131
USAP/MUSAP USBP/MUSBP 004 USCP	20	28	100	20	80	9	55	24.5	6	30	10	M8	USA/MUSA USB/MUSB USC 004	P 004	230
								21	7						210
								12	6						198
USAP/MUSAP USBP/MUSBP 005 USCP	25	32	112	20	90	10	62	25.5	6	36	10	M8	USA/MUSA USB/MUSB USC 005	P 005	294
								22	7						270
								12	6						249
USAP/MUSAP USBP/MUSBP 006 USCP	30	36	132	26	106	11	70	26.5	6.5	42	13	M10	USA/MUSA USB/MUSB USC 006	P 006	454
								24.5	7.5						410
								13	6.5						376

CLEAN SERIES OVAL FLANGE TYPE UNITS

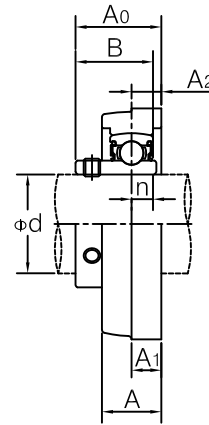
UFL MUFL

(Clean series)
(Cylindrical bore)

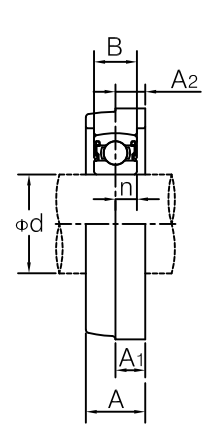
(Stainless clean series)



USAFL/MUSAFL



USBFL/MUSBFL



USCFL/MUSCFL

Unit No.	Shaft Dia. d(mm)	Dimensions (mm)											Bolt used	Bearing No.	Housing No.	Weight (g)
		H	J	A ₁ /A ₂	A	A ₀	L	B/B ₁	n	d ₁	F					
USAFL/MUSAFL USBFL/MUSBFL 08 USCFL	8	48	37	4.5	9.5	16	29	15	3.5	14.5	4.8	M4	USA/MUSA USB/MUSB USC 08	FL 08	30	
						13		12.5	4						26	
						-		7	3.5						24	
USAFL/MUSAFL USBFL/MUSBFL 000 USCFL	10	60	45	6	12	19.5	36	17.5	4	17	7	M6	USA/MUSA USB/MUSB USC 000	FL 000	65	
						16		15	5						65	
						-		8	4						53	
USAFL/MUSAFL USBFL/MUSBFL 001 USCFL	12	63	48	6	12	19.5	38	17.5	4	19	7	M6	USA/MUSA USB/MUSB USC 001	FL 001	76	
						16		15	5						70	
						-		8	4						57	
USAFL/MUSAFL USBFL/MUSBFL 002 USCFL	15	67	53	6.5	13	20.5	42	18.5	4.5	22	7	M6	USA/MUSA USB/MUSB USC 002	FL 002	100	
						17.5		16.5	5.5						90	
						-		9	4.5						79	
USAFL/MUSAFL USBFL/MUSBFL 003 USCFL	17	71	56	7	14	22.5	46	20.5	5	25	7	M6	USA/MUSA USB/MUSB USC 003	FL 003	130	
						18.5		17.5	6						115	
						-		10	5						105	
USAFL/MUSAFL USBFL/MUSBFL 004 USCFL	20	90	71	8	16	26.5	55	24.5	6	30	10	M8	USA/MUSA USB/MUSB USC 004	FL 004	205	
						22		21	7						190	
						-		12	6						163	
USAFL/MUSAFL USBFL/MUSBFL 005 USCFL	25	95	75	8	16	27.5	60	25.5	6	36	10	M8	USA/MUSA USB/MUSB USC 005	FL 005	245	
						23		22	7						220	
						-		12	6						203	
USAFL/MUSAFL USBFL/MUSBFL 006 USCFL	30	112	85	9	18	29	70	26.5	6.5	42	13	M10	USA/MUSA USB/MUSB USC 006	FL 006	355	
						26		24.5	7.5						340	
						-		13	6.5						280	

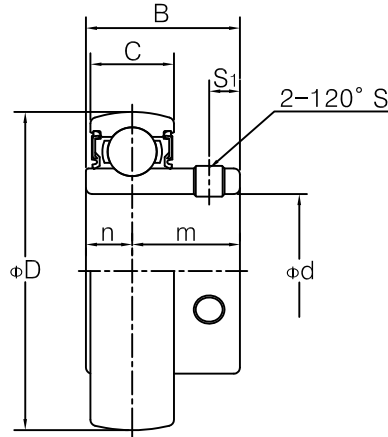
CLEAN/ STAINLESS CLEAN SERIES ECCENTRIC LOCKING COLLAR TYPE BEARINGS

USB

(Clean series)
(Cylindrical bore)

MUSB

(Stainless clean series)



Unit No.	Shaft Dia.	Dimensions (in./mm)							Basic dynamic load rating (kgf)	Basic static load rating (kgf)	Weight (kg)
		d(in./mm)	C	D	B	n	m	S ₁			
USB MUSB 08	0.3150 8	0.2756 7	0.8661 22	0.4921 12.5	0.1575 4	0.3346 8.5	0.0984 2.5	M2.5 x 0.35	260	136	0.015
USB MUSB 000	0.3937 10	0.3150 8	1.0236 26	0.5906 15	0.1969 5	0.3937 10	0.1181 3	M3 x 0.35	465	200	0.024
USB MUSB 001	0.4724 12	0.3150 8	1.1024 28	0.5906 15	0.1969 5	0.3937 10	0.1181 3	M3 x 0.35	520	245	0.028
USB MUSB 002	0.5906 15	0.3543 9	1.2598 32	0.6496 16.5	0.2165 5.5	0.4331 11	0.1378 3.5	M4 x 0.5	570	290	0.039
USB MUSB 003	0.6693 17	0.3937 10	1.3780 35	0.6890 17.5	0.2362 6	0.4528 11.5	0.1378 3.5	M4 x 0.5	610	335	0.050
USB MUSB 004	0.7874 20	0.4724 12	1.6535 42	0.8268 21	0.2756 7	0.5512 14	0.1575 4	M5 x 0.5	955	515	0.084
USB MUSB 005	0.9843 25	0.4724 12	1.8504 47	0.8661 22	0.2756 7	0.5906 15	0.1771 4.5	M5 x 0.5	1030	595	0.111
USB MUSB 006	1.1811 30	0.5118 13	2.1654 55	0.9646 24.5	0.2953 7.5	0.6693 17	0.1969 5	M5 x 0.5	1350	840	0.153

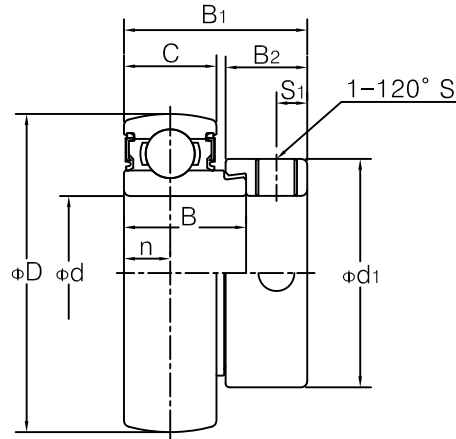
CLEAN/ STAINLESS CLEAN SERIES SET SCREW TYPE BEARINGS

USA

(Clean series)
(Cylindrical bore)

MUSA

(Stainless clean series)

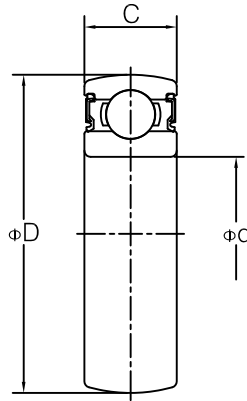


Unit No.	Shaft Dia.	Dimensions (in./mm)								Basic dynamic load rating (kgf)	Basic static load rating (kgf)	Weight (kg)
	d(in./mm)	C	D	B	n	B ₁	d ₁	S ₁	S			
USA MUSA 08	0.3150 8	0.2756 7	0.8661 22	0.3740 9.5	0.1378 3.5	0.5906 15	0.5709 14.5	0.1181 3	M3 x 0.75	260	136	0.020
USA MUSA 000	0.3937 10	0.3150 8	1.0236 26	0.4331 11	0.1575 4	0.6890 17.5	0.6693 17	0.1378 3.5	M4 x 0.75	465	200	0.029
USA MUSA 001	0.4724 12	0.3150 8	1.1024 28	0.4331 11	0.1575 4	0.6890 17.5	0.7480 19	0.1378 3.5	M4 x 0.75	520	245	0.033
USA MUSA 002	0.5906 15	0.3543 9	1.2598 32	0.4724 12	0.1772 4.5	0.7283 18.5	0.8661 22	0.1378 3.5	M4 x 0.75	570	290	0.043
USA MUSA 003	0.6693 17	0.3937 10	1.3780 35	0.5315 13.5	0.1969 5	0.8071 20.5	0.9843 25	0.1378 3.5	M4 x 0.75	610	335	0.058
USA MUSA 004	0.7874 20	0.4724 12	1.6535 42	0.6496 16.5	0.2362 6	0.9646 24.5	1.1811 30	0.1575 4	M5 x 0.8	955	515	0.096
USA MUSA 005	0.9843 25	0.4724 12	1.8504 47	0.6890 17.5	0.2362 6	1.0039 25.5	1.4173 36	0.1575 4	M5 x 0.8	1030	595	0.128
USA MUSA 006	1.1811 30	0.5118 13	2.1654 55	0.7283 18.5	0.2559 6.5	1.0433 26.5	1.6535 42	0.1575 4	M5 x 0.8	1350	840	0.177

CLEAN SERIES TIGHT FIT TYPE BEARINGS

USC

(Cylindrical bore)



Unit No.	Shaft Dia.	Dimensions (in./mm)		Basic dynamic load rating (kgf)	Basic static load rating (kgf)	Weight (kg)
	d(in.) (mm)	C	D			
USC 08	0.3150 8	0.2756 7	0.8661 22	260	136	0.012
USC 000	0.3937 10	0.3150 8	1.0236 26	465	200	0.019
USC 001	0.4724 12	0.3150 8	1.1024 28	520	245	0.021
USC 002	0.5906 15	0.3543 9	1.2598 32	570	290	0.030
USC 003	0.6693 17	0.3937 10	1.3780 35	610	335	0.039
USC 004	0.7874 20	0.4724 12	1.6535 42	955	515	0.066
USC 005	0.9843 25	0.4724 12	1.8504 47	1030	595	0.078
USC 006	1.1811 30	0.5118 13	2.1654 55	1350	840	0.114