

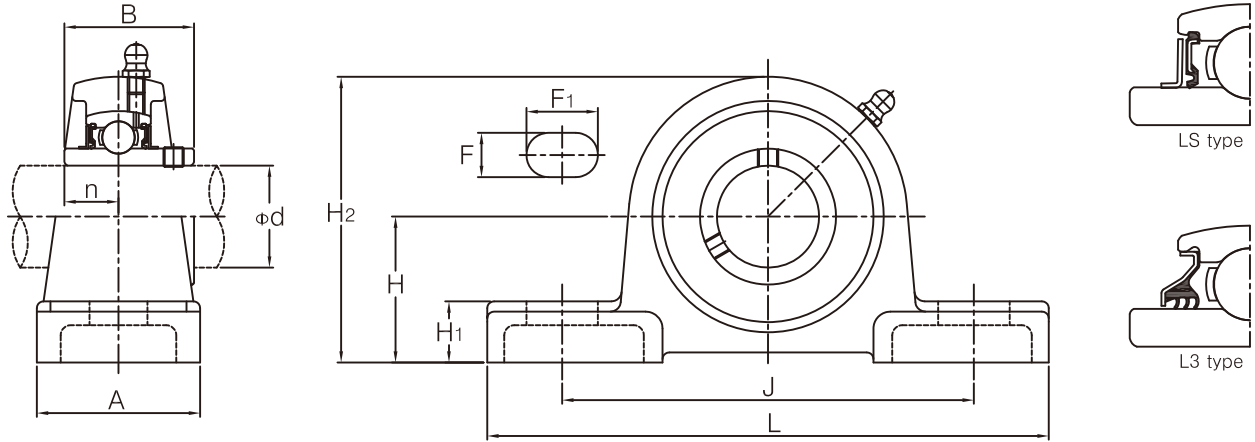
**B. Units
dimension table**

1. UCP2	-----	B01	26. UCFB2	-----	B26
2. UCPX	-----	B02	27. SALF2/SBLF2	-----	B27
3. UCP3	-----	B03	28. UCFC2	-----	B28
4. UKP2	-----	B04	29. UCFCX	-----	B29
5. UKPX	-----	B05	30. UKFC2	-----	B30
6. UKP3	-----	B06	31. UKFCX	-----	B31
7. HCP2	-----	B07	32. SAFCC2	-----	B32
8. UCPA2	-----	B08	33. SBFCC2	-----	B33
9. UCPH2	-----	B09	34. UCT2	-----	B34
10. SALP2/SBLP2	-----	B10	35. UCTX	-----	B35
11. UCF2	-----	B11	36. UCT3	-----	B36
12. UCFX	-----	B12	37. UKT2	-----	B37
13. UCF3	-----	B13	38. UKTX	-----	B38
14. UKF2	-----	B14	39. UKT3	-----	B39
15. UKFX	-----	B15	40. UCC2	-----	B40
16. UKF3	-----	B16	41. UCCX	-----	B41
17. UCFS3	-----	B17	42. UCC3	-----	B42
18. UKFS3	-----	B18	43. UKC2	-----	B43
19. UCFL2	-----	B19	44. UKCX	-----	B44
20. UCFLX	-----	B20	45. UKC3	-----	B45
21. UCFL3	-----	B21	46. UCHA2	-----	B46
22. UKFL2	-----	B22	47. SAPP2/SBPP2	-----	B47
23. UKFLX	-----	B23	48. SAPFL2/SBPFL2	-----	B48
24. UKFL3	-----	B24	49. SAPF2/SBPF2	-----	B49
25. UCFA2	-----	B25			

PILLOW BLOCK TYPE UNITS

UCP2

(Cylindrical bore)

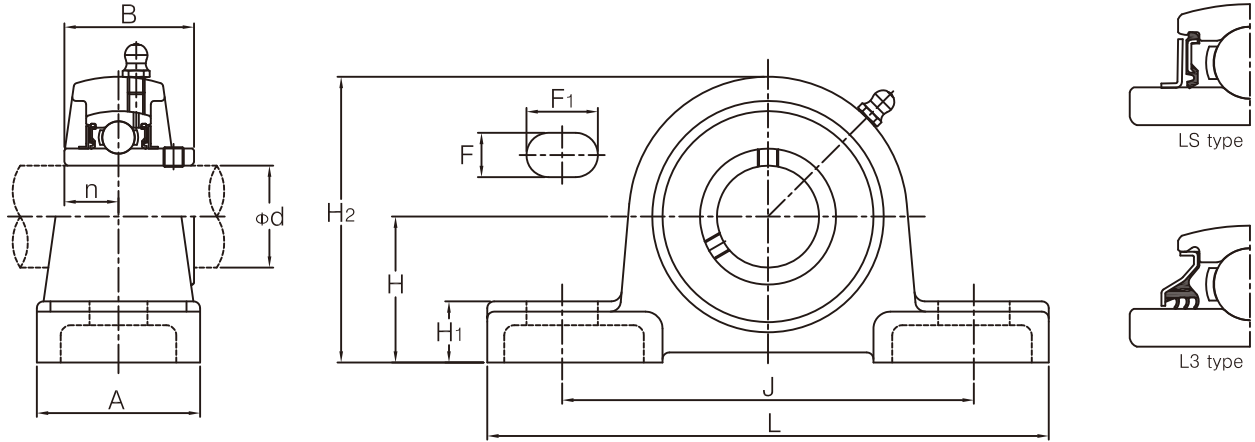


Unit No.	Shaft Dia. d		Dimensions (in.) (mm)										Bolt used		Bearing No.	Housing No.	Weight (kgf)			
	(in.)	(mm)	H	L	A	J	F	F1	H1	H2	B	n	(mm)	(in.)						
UCP 201 201-8 202 202-10 203 203-11	1/2	12																UC 201 201-8 202 202-10 203 203-11	P 203	0.71 0.71 0.69 0.69 0.68 0.68
UCP 204-12 204	3/4	15	13/16 30.2	5 127	1 1/2 38	3 25/32 96	1/2 13	3/4 19	35/64 14	2 9/16 65	1.2205 31.0	0.5000 12.7	10	3/8			UC 204-12 204	P 204	0.66 0.66	
UCP 205-13 205-14 205-15 205 205-16	13/16 7/8 15/16	17																UC 205-13 205-14 205-15 205 205-16	P 205	0.8 0.8 0.8 0.8 0.8
UCP 206-17 206-18 206 206-19 206-20	1 1/16 1 1/8	20	1 5/16 33.3	5 127	1 1/2 38	3 3/4 95	1/2 13	3/4 19	35/64 14	2 9/16 65	1.2205 31.0	0.5000 12.7	10	3/8			UC 206-17 206-18 206 206-19 206-20	P 206	0.66 0.66 0.8 0.8 0.8	
UCP 207-20 207-21 207-22 207 207-23	1 1/16 1 1/8	25	1 11/16 42.9	6 1/2 165	1 7/8 48	4 3/4 121	2 1/32 17	13/16 21	2 1/32 17	3 9/32 83	1.5000 38.1	0.6260 15.9	14	1/2			UC 207-20 207-21 207-22 207 207-23	P 207	1.3 1.3 1.3 1.3 1.3	
UCP 208-24 208-25 208	1 1/4 1 5/16 1 3/8	30	1 7/8 47.6	6 9/16 167	1 7/8 48	5 127	2 1/32 17	13/16 21	45/64 18	3 21/32 93	1.6890 42.9	0.6890 17.5	14	1/2			UC 208-24 208-25 208	P 208	1.6 1.6 1.6 1.6	
UCP 209-26 209-27 209-28 209	1 1/2 1 9/16	35	1 15/16 49.2	7 1/4 184	2 1/8 54	5 13/32 137	2 1/32 17	13/16 21	45/64 18	3 27/32 98	1.9370 49.2	0.7480 19.0	14	1/2			UC 209-26 209-27 209-28 209	P 209	2.0 2.0 2.0 2.0	
UCP 210-29 210-30 210-31 210 210-32	1 5/8 1 11/16 1 3/4	40	2 1/8 54.0	7 15/32 190	2 1/8 54	5 3/4 146	2 1/32 17	13/16 21	25/32 20	4 3/16 106	1.9370 49.2	0.7480 19.0	14	1/2			UC 210-29 210-30 210-31 210 210-32	P 210	2.2 2.2 2.2 2.2 2.2	
UCP 211-31 211-32 211-34 211 211-35	1 13/16 1 7/8 1 15/16	45	2 1/4 57.2	8 1/8 206	2 3/8 60	6 1/4 159	25/32 20	1 25	13/16 21	4 1/2 114	2.0315 51.6	0.7480 19.0	16	5/8			UC 211-31 211-32 211-34 211 211-35	P 211	2.9 2.9 2.9 2.9 2.9	
UCP 212-36 212 212-37 212-38 212-39	1 15/16 2 2 1/8	50	2 1/2 63.5	8 5/8 219	2 3/8 60	6 23/32 171	25/32 20	1 25	2 9/32 23	4 31/32 126	2.1890 55.6	0.8740 22.2	16	5/8			UC 212-36 212 212-37 212-38 212-39	P 212	3.6 3.6 3.6 3.6 3.6	
UCP 213-40 213	2 3/16	55	2 3/4 69.8	9 1/2 241	2 3/4 70	7 1/4 184	25/32 20	1 25	1 25	5 7/16 138	2.5630 65.1	1.0000 25.4	16	5/8			UC 213-40 213	P 213	4.9 4.9 4.9 4.9 4.9	
UCP 214-43 214-44 214	2 1/2 2 1/4	60	3 76.2	10 25/64 264	2 3/4 70	8 203	1 25	1 3/16 30	1 1/16 27	5 15/16 151	2.5630 65.1	1.0000 25.4	20	3/4			UC 214-43 214-44 214	P 214	5.9 5.9 6.8 6.8 6.8	
UCP 215-46 215-47 215 215-48	2 11/16 2 3/4	65	3 1/8 79.4	10 15/32 266	2 27/32 72	8 9/32 210	1 25	1 3/16 30	1 1/16 27	6 31/16 157	2.9370 74.6	1.1890 30.2	20	3/4			UC 215-46 215-47 215 215-48	P 215	7.4 7.4 7.4 7.4	
UCP 216	2 7/8 2 15/16	70	3 1/4 82.6	10 13/16 275	2 29/32 74	8 17/32 217	1 25	1 3/16 30	1 3/32 28	6 13/32 163	3.0630 77.8	1.3110 33.3	20	3/4			UC 216	P 216	7.4 7.4 7.4	
UCP 217-52 217	3	75	3 1/2 88.9	11 1/2 292	3 1/16 78	9 1/8 232	1 25	1 3/16 30	1 3/16 30	6 57/64 175	3.2520 82.6	1.3110 33.3	20	3/4			UC 217-52 217	P 217	9.0 9.0	
UCP 218-56 218	3 1/4	80	3 3/4 95.2	12 7/32 310	3 9/32 83	9 23/32 247	1 25	1 3/16 30	1 1/4 32	7 23/64 187	3.3740 85.7	1.3425 34.1	20	3/4			UC 218-56 218	P 218	10.8 10.8 13.9 13.9	

PILLOW BLOCK TYPE UNITS

UCPX

(Cylindrical bore)

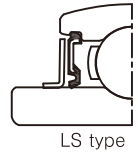
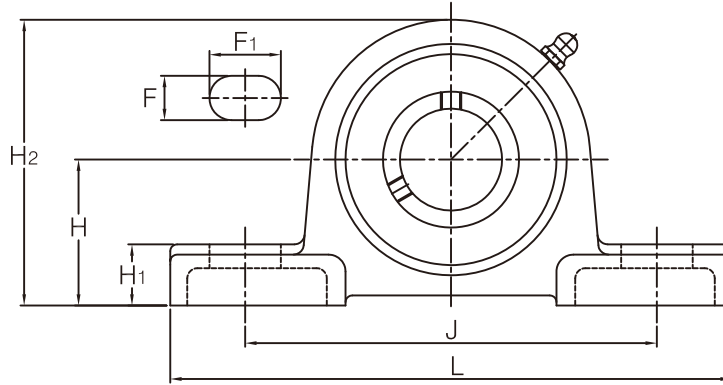
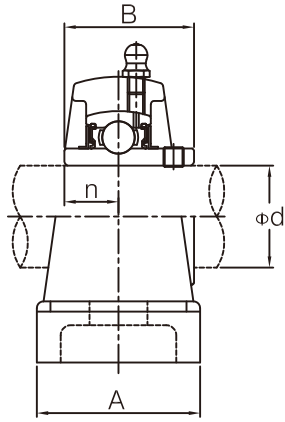


Unit No.	Shaft Dia. d		Dimensions (in. (mm))										Bolt used		Bearing No.	Housing No.	Weight (kgf)
	(in.)	(mm)	H	L	A	J	F	F ₁	H ₁	H ₂	B	n	(mm)	(in.)			
UCP X05-13 X05-14 X05-15 X05 X05-16	13/16	25	1 3/4 44.45	6 1/4 159	2 51	4 11/16 119	2 1/32 17	1 25	45/64 18	3 11/32 85	1.5000 38.1	0.6260 15.9	14	1/2	UC X05-13 X05-14 X05-15 X05 X05-16	P X05	1.5 1.5 1.5 1.5 1.5
	7/8																
	15/16																
	1																
UCP X06-17 X06-18 X06 X06-19 X06-20	1 1/16	30	1 7/8 47.6	6 7/8 175	2 1/4 57	5 127	2 1/32 17	1 25	25/32 20	3 45/64 94	1.6890 42.9	0.6890 17.5	14	1/2	UC X06-17 X06-18 X06 X06-19 X06-20	P X06	2.1 2.1 2.1 2.1 2.1
	1 1/8																
	1 3/16																
	1/4																
UCP X07-20 X07-21 X07-22 X07 X07-23	1 1/4	35	2 1/8 54.0	8 203	2 1/4 57	5 21/32 144	2 1/32 17	1 3/16 30	7/8 22	4 1/8 105	1.9370 49.2	0.7480 19.0	14	1/2	UC X07-20 X07-21 X07-22 X07 X07-23	P X07	2.7 2.7 2.7 2.7 2.7
	15/16																
	1 3/8																
	17/16																
UCP X08-24 X08-25 X08	1 1/2	40	2 5/16 58.7	8 3/4 222	2 5/8 67	6 5/32 156	25/32 20	1 1/4 32	1 1/32 26	4 7/16 113	1.9370 49.2	0.7480 19.0	16	5/8	UC X08-24 X08-25 X08	P X08	3.5 3.5 3.5
	1 9/16																
UCP X09-26 X09-27 X09-28 X09	1 5/8	45	2 5/16 58.7	8 3/4 222	2 5/8 67	6 5/32 156	25/32 20	1 5/16 33	1 1/32 26	4 9/16 116	2.0315 51.6	0.7480 19.0	16	5/8	UC X09-26 X09-27 X09-28 X09	P X09	3.7 3.7 3.7 3.7
	1 11/16																
	1 3/4																
UCP X10-30 X10-31 X10 X10-32	1 7/8	50	2 1/2 63.5	9 1/2 241	2 7/8 73	6 23/32 171	25/32 20	1 29/64 37	1 1/16 27	4 31/32 126	2.1890 55.6	0.8740 22.2	16	5/8	UC X10-30 X10-31 X10 X10-32	P X10	4.6 4.6 4.6 4.6
	1 15/16																
	2																
UCP X11-31 X11-32 X11-34 X11 X11-35	1 15/16	55	2 3/4 69.8	10 1/4 260	3 1/8 79	7 1/4 184	1 25	1 29/64 37	1 3/16 30	5 15/32 139	2.5630 65.1	1.0000 25.4	20	3/4	UC X11-31 X11-32 X11-34 X11 X11-35	P X11	6.5 6.5 6.5 6.5 6.5
	2																
	2 1/8																
	2 3/16																
UCP X12-36 X12 X12-37 X12-38 X12-39	2 1/4	60	3 76.2	11 1/4 286	3 9/32 83	8 203	1 25	1 5/8 41	1 1/4 32	5 15/16 151	2.5630 65.1	1.0000 25.4	20	3/4	UC X12-36 X12 X12-37 X12-38 X12-39	P X12	7.7 7.7 7.7 7.7 7.7
	2 5/16																
	2 3/8																
	2 7/16																
UCP X13-40 X13	2 1/2	65	3 76.2	11 1/4 286	3 9/32 83	8 203	1 25	1 5/8 41	1 1/4 32	5 15/16 151	2.9370 74.6	1.1890 30.2	20	3/4	UC X13-40 X13	P X13	8.1 8.1
UCP X14-43 X14-44 X14	2 11/16	70	3 1/2 88.9	13 330	3 1/2 89	9 1/32 229	1 1/16 27	2 51	1 3/8 35	6 25/32 172	3.0630 77.8	1.3110 33.3	22	7/8	UC X14-43 X14-44 X14	P X14	10.2 10.2 10.2
	2 3/4																
UCP X15-47 X15 X15-48	2 15/16	75	3 1/2 88.9	13 330	3 1/2 89	9 1/8 232	1 1/16 27	2 51	1 3/8 35	6 27/32 174	3.2520 82.6	1.3110 33.3	22	7/8	UC X15-47 X15 X15-48	P X15	10.8 10.8 10.8
	3																
UCP X16		80	4 101.6	15 381	4 1/32 102	11 5/32 283	1 1/16 27	2 5/16 59	1 21/32 42	7 3/4 197	3.3740 85.7	1.3425 34.1	22	7/8	UC X16	P X16	15.3
UCP X17 X17-52 X17-55		85	4 101.6	15 381	4 1/32 102	11 5/32 283	1 1/16 27	2 5/16 59	1 21/32 42	7 61/64 202	3.7795 96.0	1.5630 39.7	22	7/8	UC X17 X17-52 X17-55	P X17	16.1 16.1 16.1
	3 1/4																
	3 7/16																
UCP X18-56 X18		90	4 101.6	15 381	4 3/8 111	11 5/32 283	1 1/16 27	2 3/8 60	1 25/32 45	8 1/8 206	4.0945 104	1.6890 42.9	22	7/8	UC X18-56 X18	P X18	19.1 19.1
	3 1/2																
UCP X20 X20-63 X20-64		100	5 127	17 432	4 3/4 121	13 9/32 337	1 15/16 33	2 17/32 64	2 1/16 52	9 27/32 250	4.6260 117.5	1.9370 49.2	27	1	UC X20 X20-63 X20-64	P X20	30.4 30.4 30.4
	3 15/16																
	4																

PILLOW BLOCK TYPE UNITS

UCP3

(Cylindrical bore)

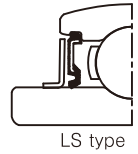
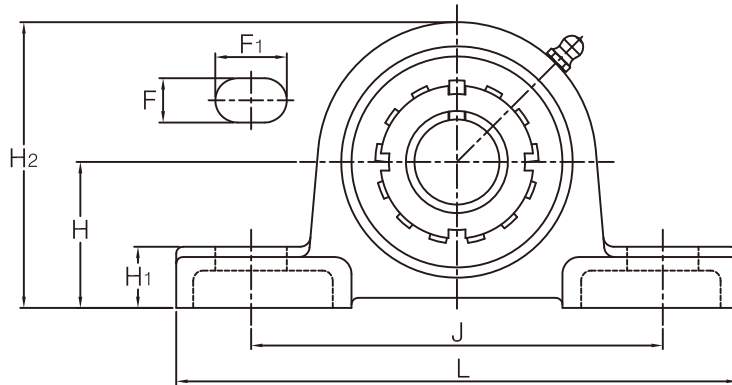
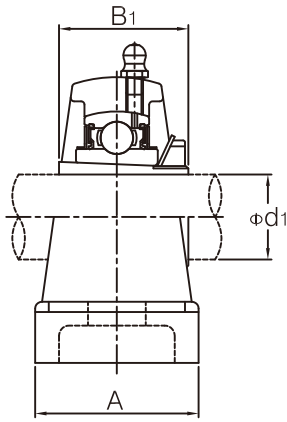


Unit No.	Shaft Dia. d		Dimensions (in./mm)										Bolt used		Bearing No.	Housing No.	Weight (kgf)
	(in.)	(mm)	H	L	A	J	F	F ₁	H ₁	H ₂	B	n	(mm)	(in.)			
UCP 305 305-16	1	25	1 ⁴⁹ / ₆₄ 45	6 ⁷ / ₈ 175	1 ³ / ₄ 45	5 ³ / ₁₆ 132	2 ¹ / ₃₂ 17	2 ⁵ / ₃₂ 20	1 ⁹ / ₃₂ 15	3 ¹¹ / ₃₂ 85	1.4961 38	0.5906 15	14	1/2	UC 305 305-16	P 305	1.7 1.7
UCP 306-18 306	1 1/8	30	1 ³¹ / ₃₂ 50	7 ³ / ₃₂ 180	1 ³¹ / ₃₂ 50	5 ¹ / ₂ 140	2 ¹ / ₃₂ 17	2 ⁵ / ₃₂ 20	4 ⁵ / ₆₄ 18	3 ³ / ₄ 95	1.6929 43	0.6693 17	14	1/2	UC 306-18 306	P 306	2.2 2.2
UCP 307-20 307-22 307 307-23	1 1/4 1 3/8	35	2 ¹³ / ₆₄ 56	8 ⁹ / ₃₂ 210	2 ⁷ / ₃₂ 56	6 ⁵ / ₁₆ 160	2 ¹ / ₃₂ 17	1 25	2 ⁵ / ₃₂ 20	4 ¹¹ / ₆₄ 106	1.8897 48	0.7480 19	14	1/2	UC 307-20 307-22 307 307-23	P 307	3.0 3.0 3.0 3.0
UCP 308-24 308	1 1/2	40	2 ²³ / ₆₄ 60	8 ²¹ / ₃₂ 220	2 ³ / ₈ 60	6 ¹¹ / ₁₆ 170	2 ¹ / ₃₂ 17	1 ¹ / ₁₆ 27	7/8 22	4 ⁹ / ₁₆ 116	2.0472 52	0.7480 19	14	1/2	UC 308-24 308	P 308	3.8 3.8
UCP 309-28 309	1 3/4	45	2 ⁴¹ / ₆₄ 67	9 ²¹ / ₃₂ 245	2 ⁵ / ₈ 67	7 ¹⁵ / ₃₂ 190	2 ⁵ / ₃₂ 20	1 ³ / ₁₆ 30	1 ⁵ / ₁₆ 24	5 ⁵ / ₆₄ 129	2.2441 57	0.8661 22	16	5/8	UC 309-28 309	P 309	4.9 4.9
UCP 310-31 310	1 5/16	50	2 ³¹ / ₆₄ 75	10 ¹³ / ₁₆ 275	2 ¹⁵ / ₁₆ 75	8 ¹ / ₃₂ 212	2 ⁵ / ₃₂ 20	1 ³ / ₈ 35	1 ¹ / ₁₆ 27	5 ⁵ / ₈ 143	2.4015 61	0.8661 22	16	5/8	UC 310-31 310	P 310	6.6 6.6
UCP 311-32 311	2	55	3 ⁵ / ₃₂ 80	12 ⁷ / ₃₂ 310	3 ⁵ / ₃₂ 80	9 ⁹ / ₃₂ 236	2 ⁵ / ₃₂ 20	1 ¹ / ₂ 38	1 ³ / ₁₆ 30	6 ¹ / ₁₆ 154	2.5984 66	0.9842 25	16	5/8	UC 311-32 311	P 311	7.9 7.9
UCP 312		60	3 ¹¹ / ₃₂ 85	13 330	3 ¹¹ / ₃₂ 85	9 ²⁷ / ₃₂ 250	1 25	1 ¹ / ₂ 38	1 ¹ / ₄ 32	6 ¹ / ₂ 165	2.7953 71	1.0236 26	20	3/4	UC 312	P 312	9.5 9.5
UCP 313-40 313	2 1/2	65	3 ³⁵ / ₆₄ 90	13 ³ / ₈ 340	3 ¹⁷ / ₃₂ 90	10 ¹ / ₄ 260	1 25	1 ¹ / ₂ 38	1 ⁵ / ₁₆ 33	6 ¹⁵ / ₁₆ 176	2.9528 75	1.1811 30	20	3/4	UC 313-40 313	P 313	10.7 10.7
UCP 314-44 314	2 3/4	70	3 ⁴⁷ / ₆₄ 95	14 ³ / ₁₆ 360	3 ¹⁷ / ₃₂ 90	11 ¹ / ₃₂ 280	1 ¹ / ₁₆ 27	1 ⁹ / ₁₆ 40	1 ³ / ₈ 35	7 ²³ / ₆₄ 187	3.0709 78	1.2992 33	22	7/8	UC 314-44 314	P 314	12.4 12.4
UCP 315 315-48		75	3 ¹⁵ / ₁₆ 100	14 ³¹ / ₃₂ 380	3 ¹⁵ / ₁₆ 290	11 ¹³ / ₃₂ 320	1 ¹ / ₁₆ 27	1 ⁹ / ₁₆ 40	1 ³ / ₈ 35	7 ²⁵ / ₃₂ 198	3.2283 82	1.2598 32	22	7/8	UC 315 315-48	P 315	14.8 14.8
UCP 316		80	4 ¹¹ / ₆₄ 106	15 ³ / ₄ 400	4 ¹¹ / ₃₂ 110	11 ¹³ / ₁₆ 300	1 ¹ / ₁₆ 27	1 ⁹ / ₁₆ 40	1 ⁹ / ₁₆ 40	8 ⁹ / ₃₂ 210	3.3858 86	1.3386 34	22	7/8	UC 316	P 316	18.5 18.5
UCP 317		85	4 ¹³ / ₃₂ 112	16 ¹⁷ / ₃₂ 420	4 ¹¹ / ₃₂ 110	12 ¹⁹ / ₃₂ 320	1 ⁵ / ₁₆ 33	1 ²⁵ / ₃₂ 45	1 ⁹ / ₁₆ 40	8 ²¹ / ₃₂ 220	3.7795 96	1.5748 40	27	1	UC 317	P 317	20.3 20.3
UCP 318-56 318	3 1/2	90	4 ⁴¹ / ₆₄ 118	16 ¹⁵ / ₁₆ 430	4 ¹¹ / ₃₂ 110	13 330	1 ⁵ / ₁₆ 33	1 ²⁵ / ₃₂ 45	1 ²⁵ / ₃₂ 45	9 ¹ / ₄ 235	3.7795 96	1.5748 40	27	1	UC 318-56 318	P 318	22.8 22.8
UCP 319		95	4 ⁵⁹ / ₆₄ 125	18 ¹ / ₂ 470	4 ²³ / ₃₂ 120	14 ³ / ₁₆ 360	1 ¹³ / ₃₂ 36	1 ³¹ / ₃₂ 50	1 ²⁵ / ₃₂ 45	9 ²⁷ / ₃₂ 250	4.0551 103	1.6142 41	30	1 1/8	UC 319	P 319	29.0 29.0
UCP 320 320-64	4	100	5 ³³ / ₆₄ 140	19 ⁹ / ₃₂ 490	4 ²³ / ₃₂ 120	14 ³¹ / ₃₂ 380	1 ¹³ / ₃₂ 36	1 ³¹ / ₃₂ 50	2 ³¹ / ₃₂ 50	10 ¹³ / ₁₆ 275	4.2519 108	1.6535 42	30	1 1/8	UC 320 320-64	P 320	35.1 35.1
UCP 321		105	5 ³³ / ₆₄ 140	19 ⁹ / ₃₂ 490	4 ²³ / ₃₂ 120	14 ³¹ / ₃₂ 380	1 ¹³ / ₃₂ 36	1 ³¹ / ₃₂ 50	2 ³¹ / ₃₂ 50	11 ³⁹ / ₆₄ 280	4.4094 112	1.7323 44	30	1 1/8	UC 321	P 321	36.0 36.0
UCP 322		110	5 ²⁹ / ₃₂ 150	20 ¹³ / ₃₂ 520	5 ¹ / ₂ 140	15 ³ / ₄ 400	1 ⁹ / ₁₆ 40	2 ⁵ / ₃₂ 55	2 ⁵ / ₃₂ 55	11 ³¹ / ₁₆ 300	4.6063 117	1.8110 46	33	1 1/4	UC 322	P 322	44.0 44.0
UCP 324		120	6 ¹⁹ / ₆₄ 160	22 ⁷ / ₁₆ 570	5 ¹ / ₂ 140	17 ²³ / ₃₂ 450	1 ⁹ / ₁₆ 40	2 ⁵ / ₃₂ 55	2 ⁹ / ₁₆ 65	12 ¹⁹ / ₃₂ 320	4.9606 126	2.0079 51	33	1 1/4	UC 324	P 324	55.4 55.4
UCP 326 326-82	5 1/8	130	7 ³ / ₃₂ 180	23 ⁵ / ₈ 600	5 ¹ / ₂ 140	18 ²⁹ / ₃₂ 480	1 ⁹ / ₁₆ 40	2 ⁵ / ₃₂ 55	2 ⁵¹ / ₆₄ 75	13 ³¹ / ₃₂ 355	5.3150 135	2.1260 54	33	1 1/4	UC 326 326-82	P 326	72.1 72.1
UCP 328 328-88	5 1/2	140	7 ⁷ / ₈ 200	24 ¹³ / ₃₂ 620	5 ¹ / ₂ 140	19 ¹¹ / ₁₆ 500	1 ⁹ / ₁₆ 40	2 ⁵ / ₃₂ 55	2 ⁵¹ / ₆₄ 75	15 ¹¹ / ₃₂ 390	5.7086 145	2.3228 59	33	1 1/4	UC 328 328-88	P 328	92.5 92.5

PILLOW BLOCK TYPE UNITS

UKP2

(Tapered bore)

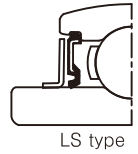
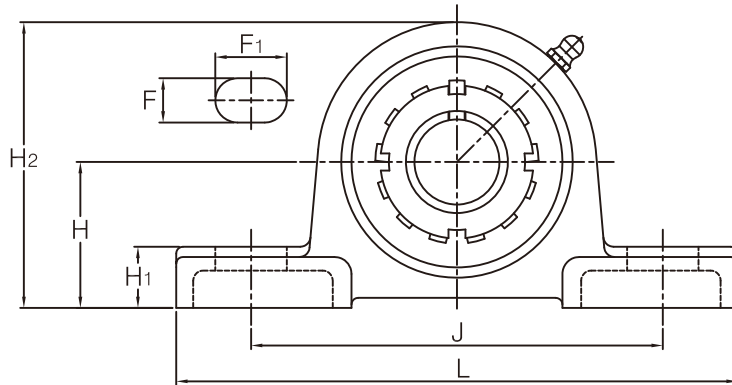
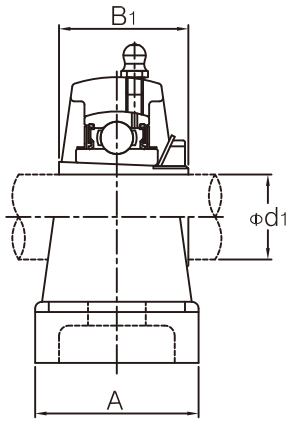


Unit No.	Shaft Dia. d1		Dimensions (in.) (mm)									Bolt used		Bearing No.	Housing No.	Adapter used	Weight (kgf)
	(in.)	(mm)	H	L	A	J	F	F ₁	H ₁	H ₂	B ₁	(mm)	(in.)				
UKP 205 205	3/4	20	17/16 36.5	5 1/2 140	1 1/2 38	4 1/8 105	1/2 13	3/4 19	19/32 15	2 25/32 71	1 3/8 35	10	3/8	UK 205	P 205	HE2305 H 2305	0.84 0.84
UKP 206 206 206 206	7/8 15/16 1	25	1 11/16 42.9	6 1/2 165	1 7/8 48	4 3/4 121	2 1/32 17	13/16 21	2 1/32 17	3 9/32 83	1 1/2 38	14	1/2	UK 206	P 206	HS2306 HA2306 H 2306 HE2306	1.4 1.4 1.4 1.4
UKP 207 207 207	1 1/8 1 3/16	30	1 7/8 47.6	6 9/16 167	1 7/8 48	5 127	2 1/32 17	13/16 21	45/64 18	3 21/32 93	1 11/16 43	14	1/2	UK 207	P 207	HS2307 H 2307 HA2307	1.7 1.7 1.7
UKP 208 208 208	1 1/4 1 3/8	35	1 15/16 49.2	7 1/4 184	2 1/8 54	5 13/32 137	2 1/32 17	13/16 21	45/64 18	3 27/32 98	1 13/16 46	14	1/2	UK 208	P 208	HS2308 HS2308 H 2308	2.0 2.0 2.0
UKP 209 209 209 209	1 7/16 1 1/2 1 5/8	40	2 15/16 54.0	7 15/32 190	2 1/8 54	5 3/4 146	2 1/32 17	13/16 21	25/32 20	4 3/16 106	1 31/32 50	14	1/2	UK 209	P 209	HA2309 HE2309 H 2309 HS2309	2.3 2.3 2.3 2.3
UKP 210 210 210	1 11/16 1 3/4	45	2 1/4 57.2	8 1/8 206	2 3/8 60	6 1/4 159	25/32 20	1 25	13/16 21	4 1/2 114	2 5/32 55	16	5/8	UK 210	P 210	HA2310 HE2310 H 2310	3.0 3.0 3.0
UKP 211 211 211 211	1 7/8 1 15/16 2	50	2 1/2 63.5	8 5/8 219	2 3/8 60	6 23/32 171	25/32 20	1 25	29/32 23	4 31/32 126	2 5/16 59	16	5/8	UK 211	P 211	HS2311 HA2311 H 2311 HE2311	3.7 3.7 3.7 3.7
UKP 212 212	2 1/8	55	2 3/4 69.8	9 1/2 241	2 3/4 70	7 1/4 184	25/32 20	1 25	1 25	5 7/16 138	2 7/16 62	16	5/8	UK 212	P 212	HS2312 H 2312	4.8 4.8
UKP 213 213 213 213	2 3/16 2 1/4 2 3/8	60	3 76.2	10 25/64 264	2 3/4 70	8 203	1 25	1 3/16 30	1 1/16 27	5 15/16 151	2 9/16 65	20	3/4	UK 213	P 213	HA2313 HE2313 H 2313 HS2313	5.8 5.8 5.8 5.8
UKP 215 215 215	2 7/16 2 1/2	65	3 1/4 82.6	10 13/16 275	2 29/32 74	8 17/32 217	1 25	1 3/16 30	1 3/32 28	6 13/32 163	2 7/8 73	20	3/4	UK 215	P 215	HA2315 HE2315 H 2315	7.7 7.7 7.7
UKP 216 216 216	2 11/16 2 3/4	70	3 1/2 88.9	11 1/2 292	3 1/16 78	9 1/8 232	1 25	1 3/16 30	1 3/16 30	6 7/8 175	3 1/16 78	20	3/4	UK 216	P 216	HA2316 HE2316 H 2316	9.2 9.2 9.2
UKP 217 217 217	2 5/16	75	3 3/4 95.2	12 7/32 310	3 9/32 83	9 23/32 247	1 25	1 3/16 30	1 1/4 32	7 23/64 187	3 7/32 82	20	3/4	UK 217	P 217	HA2317 H 2317 HE2317	11.0 11.0 11.0
UKP 218		80	4 101.6	12 7/8 327	3 15/32 88	10 5/6 262	1 1/16 27	1 13/32 36	1 5/16 33	7 7/8 200	3 3/8 86	22	7/8	UK 218	P 218	H 2318	13.8

PILLOW BLOCK TYPE UNITS

UKPX

(Tapered bore)

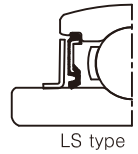
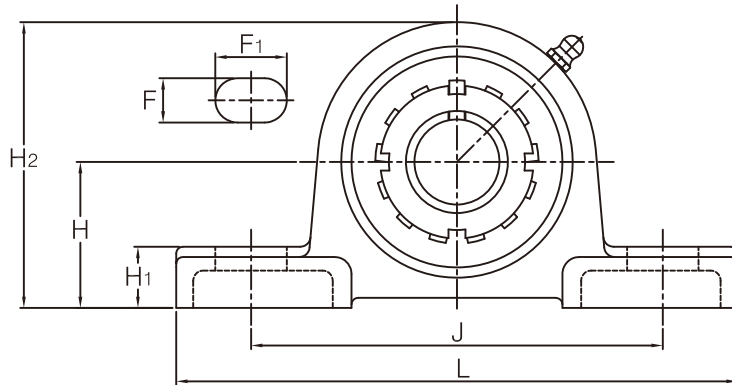
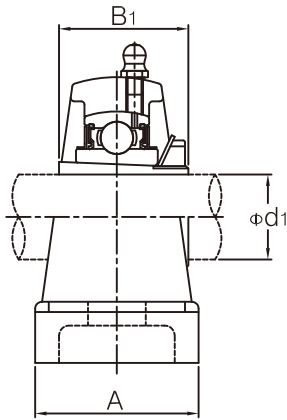


Unit No.	Shaft Dia. d ₁		Dimensions (in.) (mm)										Bolt used		Bearing No.	Housing No.	Adapter used	Weight (kgf)
	(in.)	(mm)	H	L	A	J	F	F ₁	H ₁	H ₂	B ₁	(mm)	(in.)					
UKP X05 X05	3/4	20	1 3/4 44.4	6 1/4 159	2 51	4 11/16 119	2 1/32 17	1 25	45/64 18	3 11/32 85	1 3/8 35	14	1/2	UK X05	P X05	HE2305 H 2305	1.5 1.5	
UKP X06 X06 X06 X06	7/8 15/16 1	25	1 7/8 47.6	6 7/8 175	2 1/4 57	5 127	2 1/32 17	1 25	25/32 20	3 45/64 94	1 1/2 38	14	1/2	UK X06	P X06	HS2306 HA2306 H 2306 HE2306	2.1 2.1 2.1 2.1	
UKP X07 X07 X07	1 1/8 1 3/16	30	2 1/8 54.0	8 203	2 1/4 57	5 21/32 144	2 1/32 17	1 3/16 30	7/8 22	4 1/8 105	1 11/16 43	14	1/2	UK X07	P X07	HS2307 H 2307 HA2307	2.7 2.7 2.7	
UKP X08 X08 X08	1 1/4 1 3/8	35	2 5/16 58.7	8 3/4 222	2 5/8 67	6 5/32 156	25/32 20	1 1/4 32	1 1/32 26	4 7/16 113	1 13/16 46	16	5/8	UK X08	P X08	HE2308 HS2308 H 2308	3.5 3.5 3.5	
UKP X09 X09 X09 X09	1 7/16 1 1/2 1 5/8	40	2 5/16 58.7	8 3/4 222	2 5/8 67	6 5/32 156	25/32 20	1 5/16 33	1 1/32 26	4 9/16 116	1 31/32 50	16	5/8	UK X09	P X09	HA2309 HS2309 H 2309 HS2309	3.7 3.7 3.7 3.7	
UKP X10 X10 X10	1 11/16 1 3/4	45	2 1/2 63.5	9 1/2 241	2 7/8 73	6 23/32 171	25/32 20	1 29/64 37	1 1/16 27	4 31/32 126	2 5/32 55	16	5/8	UK X10	P X10	HA2310 HE2310 H 2310	4.6 4.6 4.6	
UKP X11 X11 X11 X11	1 7/8 1 15/16 2	50	2 3/4 69.8	10 1/4 260	3 1/8 79	7 1/4 184	1 25	1 29/64 37	1 3/16 30	5 15/32 139	2 5/16 59	20	3/4	UK X11	P X11	HS2311 HA2311 H 2311 HE2311	6.2 6.2 6.2 6.2	
UKP X12 X12	2 1/8	55	3 76.2	11 1/4 286	3 9/32 83	8 203	1 25	1 5/8 41	1 1/4 32	5 15/16 151	2 7/16 62	20	3/4	UK X12	P X12	HS2312 H 2312	7.5 7.5	
UKP X13 X13 X13 X13	2 3/16 2 1/4 2 3/8	60	3 76.2	11 1/4 286	3 9/32 83	8 203	1 25	1 5/8 41	1 1/4 32	6 15/16 151	2 9/16 65	20	3/4	UK X13	P X13	HA2313 HE2313 H 2313 HS2313	7.8 7.8 7.8 7.8	
UKP X15 X15 X15	2 1/2 2 5/8	65	3 1/2 88.9	13 330	3 1/2 89	9 1/8 232	1 1/16 27	2 51	1 3/8 35	6 27/32 174	2 7/8 73	22	7/8	UK X15	P X15	HE2315 H 2315 HS2315	10.5 10.5 10.5	
UKP X16 X16	2 3/4	70	4 101.6	15 381	4 1/32 102	11 5/32 283	1 1/16 27	2 5/16 59	1 21/32 42	7 3/4 197	3 1/16 78	22	7/8	UK X16	P X16	HE2316 H 2316	15.4 15.4	
UKP X17 X17 X17 X17	2 7/8 2 15/16 3	75	4 101.6	15 381	4 1/32 102	11 5/32 283	1 1/16 27	2 5/16 59	1 21/32 42	7 61/64 202	3 7/32 82	22	7/8	UK X17	P X17	HS2317 HA2317 H 2317 HE2317	15.8 15.8 15.8 15.8	
UKP X18		80	4 101.6	15 381	4 3/8 111	11 5/32 283	1 1/16 27	2 3/8 60	1 25/32 45	8 1/8 206	3 3/8 86	22	7/8	UK X18	P X18	H 2318	18.6	
UKP X20 X20	3 1/2	90	5 127.0	17 432	4 3/4 121	13 9/32 337	1 5/16 33	2 17/32 64	2 1/16 52	9 27/32 250	3 13/16 97	27	1	UK X20	P X20	HE2320 H 2320	29.3 29.3	

PILLOW BLOCK TYPE UNITS

UKP3

(Tapered bore)



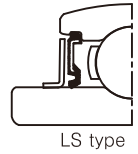
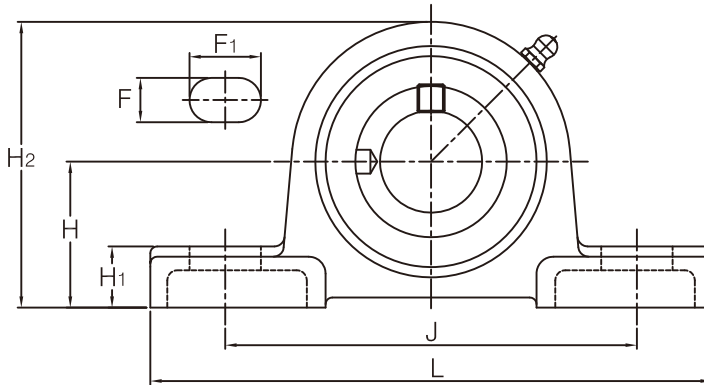
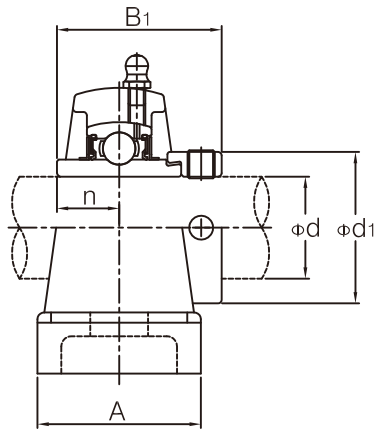
Unit No.	Shaft Dia. d ₁		Dimensions (in.) (mm)										Bolt used		Bearing No.	Housing No.	Adapter used	Weight (kgf)
	(in.)	(mm)	H	L	A	J	F	F ₁	H ₁	H ₂	B ₁	(mm)	(in.)					
UKP 305 305	3/4	20	1 49/64 45	67/8 175	1 3/4 45	53/16 132	21/32 17	25/32 20	19/32 15	311/32 85	1 3/8 35	14	1/2	UK 305	P 305	HE2305 H 2305	1.7 1.7	
UKP 306 306 306 306	7/8 15/16 1	25	1 31/32 50	73/32 180	1 31/32 50	5 1/2 140	21/32 17	25/32 20	45/64 18	3/4 95	1 1/2 38	14	1/2	UK 306	P 306	HS2306 HA2306 H 2306 HE2306	2.3 2.3 2.3 2.3	
UKP 307 307 307	1/8 13/16	30	2 13/64 56	89/32 210	27/32 56	65/16 160	21/32 17	1 25	25/32 20	4 11/64 106	1 11/16 43	14	1/2	UK 307	P 307	HS2307 H 2307 HA2307	3.0 3.0 3.0	
UKP 308 308 308	1 1/4 1 3/8	35	2 23/64 60	8 21/32 220	2 3/8 60	6 11/16 170	21/32 17	1 1/16 27	7/8 22	4 9/16 116	1 13/16 46	14	1/2	UK 308	P 308	HE2308 HS2308 H 2308	3.8 3.8 3.8	
UKP 309 309 309 309	17/16 1 1/2 1 5/8	40	2 41/64 67	9 21/32 245	2 5/8 67	7 15/32 190	25/32 20	1 3/16 30	15/16 24	5 5/64 129	1 31/32 50	16	5/8	UK 309	P 309	HA2309 HS2309 H 2309 HS2309	5.0 5.0 5.0 5.0	
UKP 310 310 310	1 11/16 1 3/4	45	2 61/64 75	10 13/16 275	2 15/16 75	8 11/32 212	25/32 20	1 3/8 35	1 1/16 27	5 5/8 143	2 5/32 55	16	5/8	UK 310	P 310	HA2310 HE2310 H 2310	6.7 6.7 6.7	
UKP 311 311 311 311	17/8 1 15/16 2	50	3 5/32 80	127/32 310	3 5/32 80	9 9/32 236	25/32 20	1 1/2 38	1 3/16 30	6 1/16 154	2 5/16 59	16	5/8	UK 311	P 311	HS2311 HA2311 H 2311 HE2311	8.1 8.1 8.1 8.1	
UKP 312 312	2 1/8	55	3 11/32 85	13 330	3 11/32 85	9 27/32 250	1 25	1 1/2 38	1 1/4 32	6 1/2 165	27/16 62	20	3/4	UK 312	P 312	HS2312 H 2312	9.4 9.4	
UKP 313 313 313 313	23/16 2 1/4 2 3/8	60	3 35/64 90	133/8 340	3 17/32 90	10 1/4 260	1 25	1 1/2 38	1 5/16 33	6 15/16 176	29/16 65	20	3/4	UK 313	P 313	HA2313 HE2313 H 2313 HS2313	10.8 10.8 10.8 10.8	
UKP 315 315	2 1/2	65	3 15/16 100	14 31/32 380	3 15/16 100	11 13/32 290	1 1/16 27	19/16 40	1 3/8 35	7 25/32 198	27/8 73	22	7/8	UK 315	P 315	HE2315 H 2315	14.9 14.9	
UKP 316 316	2 3/4	70	4 11/64 106	15 3/4 400	4 11/32 110	11 13/16 300	1 1/16 27	19/16 40	1 9/16 40	8 9/32 210	3 1/16 78	22	7/8	UK 316	P 316	HE2316 H 2316	18.6 18.6	
UKP 317 317	3	75	4 13/32 112	16 17/32 420	4 11/32 110	12 19/32 320	1 5/16 33	1 25/32 45	1 9/16 40	8 21/32 220	37/32 82	27	1	UK 317	P 317	H 2317 HE2317	20.2 20.2	
UKP 318		80	4 41/64 118	16 15/16 430	4 11/32 110	13 330	1 5/16 33	1 25/32 45	1 25/32 45	9 1/4 235	3 3/8 86	27	1	UK 318	P 318	H 2318	22.8	
UKP 319 319	3 1/4	85	4 59/64 125	18 1/2 470	4 23/32 120	14 3/16 360	1 13/32 36	1 31/32 50	1 25/32 45	9 27/32 250	3 17/32 90	30	1 1/8	UK 319	P 319	HE2319 H 2319	29.3 29.3	
UKP 320 320	3 1/2	90	5 33/64 140	19 9/32 490	4 23/32 120	14 31/32 380	1 13/32 36	1 31/32 50	2 31/32 50	10 13/16 275	3 13/16 97	30	1 1/8	UK 320	P 320	HE2320 H 2320	34.8 34.8	
UKP 322 322	4	100	5 29/32 150	20 15/32 520	5 1/2 140	15 3/4 400	1 9/16 40	2 5/32 55	2 5/32 55	11 13/16 300	4 1/8 105	33	1 1/4	UK 322	P 322	H 2322 HE2322	43.9 43.9	
UKP 324 324	4 7/16	110	5 39/64 160	22 7/16 570	5 1/2 140	17 23/32 450	1 9/16 40	2 5/32 55	2 9/16 65	12 19/32 320	4 13/32 112	33	1 1/4	UK 324	P 324	H 2324 HA2324	55.7 55.7	
UKP 326 326	4 1/2	115	7 3/32 180	23 5/8 600	5 1/2 140	18 29/32 480	1 9/16 40	2 5/32 55	2 61/64 75	13 31/32 355	4 3/4 121	33	1 1/4	UK 326	P 326	HE2326 H 2326	71.9 71.9	
UKP 328 328	4 15/16	125	7 7/8 200	24 13/22 620	5 1/2 140	9 11/16 500	1 9/16 40	2 5/32 55	2 61/64 75	15 11/32 390	5 5/32 131	33	1 1/4	UK 328	P 328	H 2328 HA2328	92.5 92.5	

PILLOW BLOCK TYPE UNITS

HCP2

(Cylindrical bore)

(With eccentric locking collar)

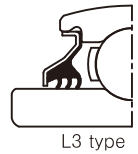
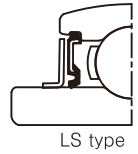
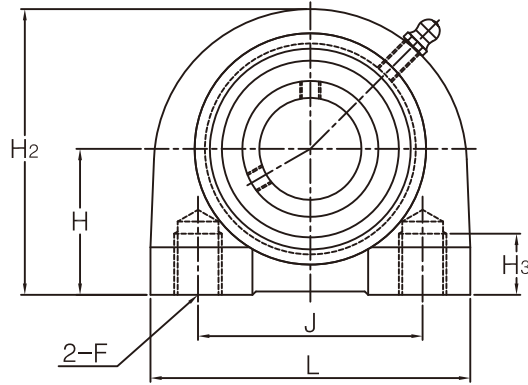
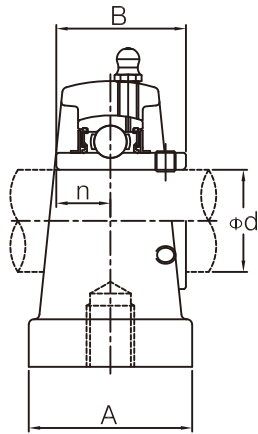


Unit No.	Shaft Dia d		Dimensions (in./mm)										Bolt used		Bearing No.	Housing No.	Weight (kgf)						
	(in.)	(mm)	H	L	A	J	F	F ₁	H ₁	H ₂	B ₁	n	d ₁	(mm)				(in.)					
HCP 201	1/2	12														10	3/8	HC 201	P 204	0.79			
201-8		15																HC 201-8		0.79			
202		17	1 5/16	5	1 1/2	3 3/4	1/2	3/4	35/64	2 9/16	1.7204	0.6732	1.3110					202		0.77			
202-10		17	33.3	127	38	95	13	19	14	65	43.7	17.1	33.3					202-10		0.77			
203		17																203		0.75			
203-11	11/16	20	33.3	127	38	95	13	19	14	65	43.7	17.1	33.3	10	3/8	204	P 204	203-11	0.75				
204-12																		204-12	0.73				
204																		204	0.73				
HCP 205-13	1	13/16														10	3/8	HC 205-13	P 205	0.87			
205-14		7/8	17/16	5 1/2	1 1/2	4 1/8	1/2	3/4	19/32	2 25/32	1.7480	0.6890	1.5000					205-14		0.87			
205-15		15/16	25	36.5	140	38	105	13	19	15	71	44.4	17.5	38.1						205-15	0.87		
205		25																		205	0.87		
205-16		25																			205-16	0.87	
HCP 206-17	1 1/4	1 1/16														14	1/2	HC 206-17	P 206	1.4			
206-18		7/8																			206-18	1.4	
206		30	1 11/16	6 1/2	1 7/8	4 3/4	21/32	13/16	21/32	3 9/32	1.9055	0.7204	1.7520					206		1.4			
206-19		13/16	42.9	165	48	121	17	21	17	83	48.4	18.3	44.5					206-19		1.4			
206-20		1 1/4																			206-20	1.4	
HCP 207-20	1 1/4	1 1/4														14	1/2	HC 207-20	P 207	1.8			
207-21		15/16	1 7/8	6 9/16	1 7/8	5	21/32	13/16	45/64	3 21/32	2.0118	0.7402	2.1890					207-21		1.8			
207-22		13/8	35	47.6	167	48	127	17	21	18	93	51.1	18.8	55.6						207-22	1.8		
207		35																			207	1.8	
207-23		17/16																				207-23	1.8
HCP 208-24	1 1/2	1 1/2														14	1/2	HC 208-24	P 208	2.1			
208-25		19/16	40	1 15/16	7 1/4	2 1/8	5 13/32	21/32	13/16	45/64	3 27/32	0.8425	2.3740					208-25		2.1			
208		40	49.2	184	54	137	17	21	18	98	56.3	21.4	60.3					208		2.1			
HCP 209-26	1 3/4	1 5/8														14	1/2	HC 209-26	P 209	2.4			
209-27		1 11/16	45	2 1/8	7 15/32	2 1/8	5 3/4	21/32	13/16	25/32	4 3/16	0.8425	2.5000					209-27		2.4			
209-28		1 3/4	54.0	190	54	146	17	21	20	106	56.3	21.4	63.5					209-28		2.4			
209		45																			209	2.4	
HCP 210-29	1 15/16	1 13/16														16	5/8	HC 210-29	P 210	3.1			
210-30		17/8	50	2 1/4	8 1/8	2 3/8	6 1/4	25/32	1	13/16	4 1/2	2.4685	0.9685	2.7520						210-30	3.1		
210-31		1 15/16	57.2	206	60	159	20	25	21	114	62.7	24.6	69.9					210-31		3.1			
210		50																			210	3.1	
210-32		2																				210-32	3.1
HCP 211-31	1 15/16	1 15/16														16	5/8	HC 211-31	P 211	3.9			
211-32		2	55	2 1/2	8 5/8	2 3/8	6 23/32	25/32	1	29/32	4 31/32	2.8110	1.0945	3.0000						211-32	3.9		
211-34		2 1/8	63.5	219	60	171	20	25	23	126	71.4	27.8	76.2					211-34		3.9			
211		55																			211	3.9	
211-35		2 3/16																				211-35	3.9
HCP 212-36	2 1/4	2 1/4														16	5/8	HC 212-36	P 212	5.2			
212		60	2 3/4	9 1/2	2 3/4	7 1/4	25/32	1	1	5 7/16	3.0630	1.2204	3.3150					212		5.2			
212-37		2 5/16	69.8	241	70	184	20	25	25	138	77.8	31.0	84.2					212-37		5.2			
212-38		2 3/8																				212-38	5.2
212-39		2 7/16																				212-39	5.2

PILLOW BLOCK A TYPE UNITS

UCPA2

(Cylindrical bore)

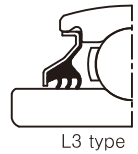
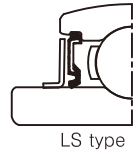
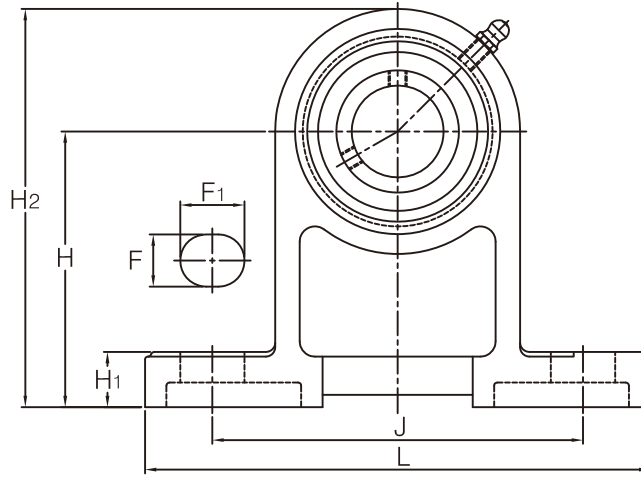
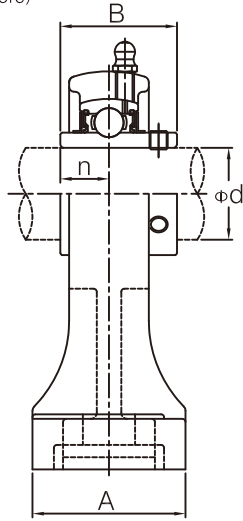


Unit No.	Shaft Dia.		Dimensions (in./mm)									Bolt used (mm)	Bearing No.	Housing No.	Weight (kgf)
	d		H	L	A	J	F	H ₂	H ₃	B	n				
	(in.)	(mm)													
UCPA 201	1/2	12											UC 201		0.64
201-8													201-8		0.64
202		15											202		0.62
202-10	5/8	17	1 ³ / ₁₆	3	1 ¹ / ₂	2 ³ / ₆₄	M10x1.5	2 ⁷ / ₁₆	1/2	1.2205	0.5000	10	202-10	PA 204	0.62
203			30.2	76	38	52		62	13	31.0	12.7		203		0.61
203-11	11/16												203-11		0.61
204-12	3/4	20											204-12		0.59
204													204		0.59
UCPA 205-13	13/16												UC 205-13		0.83
205-14	7/8		1 ⁷ / ₁₆	3 ⁵ / ₃₂	1 ¹ / ₂	2 ¹³ / ₆₄	M10x1.5	2 ²⁷ / ₃₂	19/32	1.3425	0.5630	10	205-14	PA 205	0.83
205-15	15/16	25	36.5	80	38	56		72	15	34.1	14.3		205-15		0.83
205													205		0.83
205-16	1												205-16		0.83
UCPA 206-17	1 ¹ / ₁₆												UC 206-17		1.2
206-18	1 ¹ / ₈		1 ¹¹ / ₁₆	3 ¹¹ / ₁₆	1 ⁷ / ₈	2 ¹⁹ / ₃₂	M14x2.0	3 ⁵ / ₁₆	23/32	1.5000	0.6260	14	206-18	PA 206	1.2
206		30	42.9	94	48	66		84	18	38.1	15.9		206		1.2
206-19	1 ³ / ₁₆												206-19		1.2
206-20	1 ¹ / ₄												206-20		1.2
UCPA 207-20	1 ¹ / ₄												UC 207-20		1.7
207-21	1 ⁵ / ₁₆		1 ⁷ / ₈	4 ¹¹ / ₃₂	1 ⁷ / ₈	3 ⁵ / ₃₂	M14x2.0	3 ³ / ₄	2 ⁵ / ₃₂	1.6890	0.6890	14	207-21	PA 207	1.7
207-22	1 ³ / ₈		47.6	110	48	80		95	20	42.9	17.5		207-22		1.7
207		35											207		1.7
207-23	1 ⁷ / ₁₆												207-23		1.7
UCPA 208-24	1 ¹ / ₂		1 ¹⁵ / ₁₆	4 ⁹ / ₁₆	2 ¹ / ₈	3 ⁵ / ₁₆	M14x2.0	3 ¹⁵ / ₁₆	2 ⁵ / ₃₂	1.9370	0.7480	14	UC 208-24		2.0
208-25	1 ⁹ / ₁₆		49.2	116	54	84		100	20	49.2	19.0		208-25	PA 208	2.0
208		40											208		2.0
UCPA 209-26	1 ⁵ / ₈												UC 209-26		2.2
209-27	1 ¹¹ / ₁₆		2 ⁹ / ₆₄	4 ²³ / ₃₂	2 ¹ / ₈	3 ³⁵ / ₆₄	M14x2.0	4 ¹ / ₄	1	1.9370	0.7480	14	209-27	PA 209	2.2
209-28	1 ³ / ₄		54.2	120	54	90		108	25	49.2	19.0		209-28		2.2
209		45											209		2.2
UCPA 210-29	1 ¹³ / ₁₆												UC 210-29		2.8
210-30	1 ⁷ / ₈		2 ¹ / ₄	5 ¹ / ₈	2 ³ / ₈	3 ⁴⁵ / ₆₄	M16x2.0	4 ⁹ / ₁₆	1	2.0315	0.7480	16	210-30	PA 210	2.8
210-31	1 ¹⁵ / ₁₆		57.2	130	60	94		116	25	51.6	19.0		210-31		2.8
210		50											210		2.8
210-32	2												210-32		2.8
UCPA 211-31	1 ¹⁵ / ₁₆												UC 211-31		3.4
211-32	2		2 ¹ / ₂	5 ¹ / ₂	2 ¹⁹ / ₃₂	4 ³ / ₃₂	M16x2.0	4 ²⁹ / ₃₂	1	2.0315	0.7480	16	211-32	PA 211	3.4
211-34	2 ¹ / ₈		63.5	140	66	104		125	25	55.6	22.2		211-34		3.4
211		55											211		3.4
211-35	2 ³ / ₁₆												211-35		3.4
UCPA 212-36	2 ¹ / ₄												UC 212-36		4.4
212		60	2 ³ / ₄	5 ²⁹ / ₃₂	2 ¹¹ / ₁₆	4 ¹ / ₂	M16x2.0	5 ⁷ / ₁₆	1	2.5630	1.0000	16	212	PA 212	4.4
212-37	2 ⁵ / ₁₆		69.9	150	68	114		138	25	65.1	25.4		212-37		4.4
212-38	2 ³ / ₈												212-38		4.4
212-39	2 ⁷ / ₁₆												212-39		4.4
UCPA 213-40	2 ¹ / ₂		3	6 ¹⁹ / ₆₄	2 ³ / ₄	4 ⁷ / ₈	M16x2.0	5 ²⁹ / ₃₂	1	2.5630	1.0000	16	UC 213-40		5.4
213		65	76.2	160	70	124		150	25	65.1	25.4		213	PA 213	5.4

PILLOW BLOCK H TYPE UNITS

UCPH2

(Cylindrical bore)



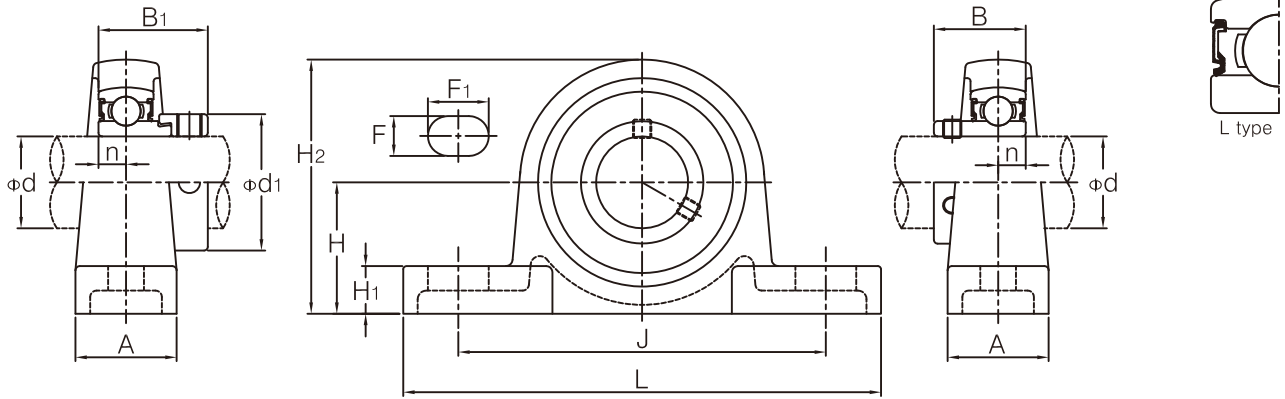
Unit No.	Shaft Dia.		Dimensions (in./mm)										Bolt used		Bearing No.	Housing No.	Weight (kgf)
	d		H	L	A	J	N	N _i	H ₁	H ₂	B	n	(mm)	(in.)			
	(in.)	(mm)															
UCPH 201		12													UC 201		0.96
201-8	1/2														201-8		0.96
202		15													202		0.94
202-10	5/8		2 3/4	5	1 9/16	3 3/4	1/2	3/4	1 9/32	3 31/32	1.2205	0.5000	10	3/8	202-10	PH 204	0.94
203		17	70	127	40	95	13	19	15	101	31.0	12.7			203		0.93
203-11	11/16														203-11		0.93
204-12	3/4														204-12		0.91
204		20													204		0.91
UCPH 205-13	13/16														UC 205-13		1.2
205-14	7/8		3 5/32	5 1/2	1 31/32	4 1/8	1/2	3/4	5/8	4 1/2	1.3425	0.5630	10	3/8	205-14	PH 205	1.2
205-15	15/16		80	140	50	105	13	19	16	114	34.1	14.3			205-15		1.2
205		25													205		1.2
205-16	1														205-16		1.2
UCPH 206-17	1 1/16														UC 206-17		1.6
206-18	1 1/8		3 35/64	6 1/2	1 31/32	4 3/4	21/32	13/16	23/32	5 1/8	1.5000	0.6260	14	1/2	206-18	PH 206	1.6
206		30	90	165	50	121	17	21	18	130	38.1	15.9			206		1.6
206-19	1 3/16														206-19		1.6
206-20	1 1/4														206-20		1.6
UCPH 207-20	1 1/4														UC 207-20		2.0
207-21	1 5/16		3 47/64	6 9/16	2 3/8	5	21/32	13/16	3/4	5 1/2	1.6890	0.6890	14	1/2	207-21	PH 207	2.0
207-22	1 3/8		95	167	60	127	17	21	19	140	42.9	17.5			207-22		2.0
207		35													207		2.0
207-23	1 7/16														207-23		2.0
UCPH 208-24	1 1/2		3 15/16	7 1/4	2 3/4	5 13/32	21/32	1	3/4	5 29/32	1.9370	0.7480	14	1/2	UC 208-24		2.7
208-25	1 9/16		100	184	70	137	17	25	19	150	49.2	19.0			208-25	PH 208	2.7
208		40													208		2.7
UCPH 209-26	1 5/8		4 9/64	7 15/32	2 3/4	5 3/4	21/32	1	25/32	6 7/32	1.9370	0.7480	14	1/2	UC 209-26		3.0
209-27	1 11/16		105	190	70	146	17	25	20	158	49.2	19.0			209-27	PH 209	3.0
209-28	1 3/4														209-28		3.0
209		45													209		3.0
UCPH 210-29	1 13/16		4 21/64	8 1/8	2 3/4	6 1/4	25/32	1	7/8	6 1/2	2.0315	0.7480	16	5/8	UC 210-29		3.5
210-30	1 7/8		110	206	70	159	20	25	22	165	51.6	19.0			210-30	PH 210	3.5
210-31	1 15/16														210-31		3.5
210		50													210		3.5
210-32	2														210-32		3.5

PILLOW BLOCK L TYPE UNITS

SALP2 SBLP2

(Cylindrical bore)

SALP2(With eccentric locking collar), SBLP2(Set screw locking)

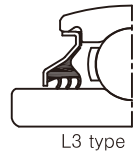
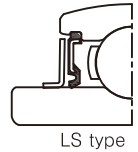
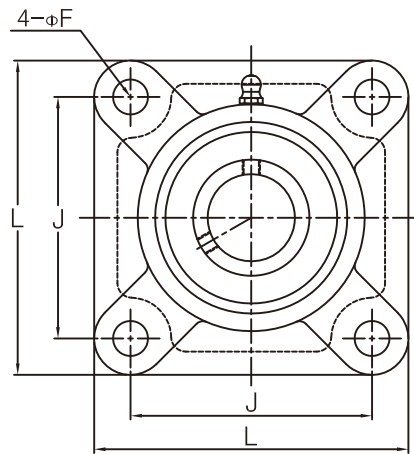
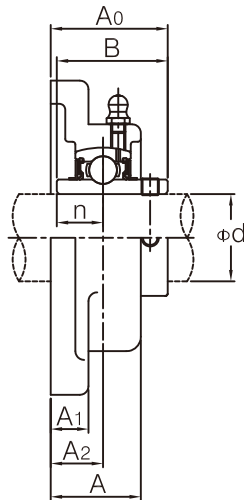


Unit No.	Shaft Dia.		Dimensions (in.) (mm)										Bolt used		S A L P				S B L P			Housing No.
	d		H	L	A	J	F	F ₁	H ₁	H ₂	n	(mm)	(in.)	B ₁	d ₁	Bearing No.	Weight (kgf)	B	Bearing No.	Weight (kgf)		
	(in.)	(mm)																				
SALP SBLP 201		12														SA 201	0.39		SB 201	0.36		
201-8	1/2															201-8	0.39		201-8	0.36		
202		15	13/16	431/64	1	37/16	7/16	5/8	15/32	2 1/4	0.2560	10	3/8	1.1260	1.1260	202	0.39	0.8858	202	0.36		
202-10	5/8		30.2	114	25.4	87	11	16	12	57	6.5			28.6	28.6	202-10	0.39		202-10	0.36		
203		17														203	0.39		203	0.36		
203-11	11/16															203-11	0.39		203-11	0.36		
SALP SBLP 204-12			15/16	459/64	1 1/16	313/16	7/16	5/8	1/2	2 3/16	0.2953	10	3/8	1.2204	1.3110	SA 204-12	0.51	1.0039	SB 204-12	0.51		
204	3/4	20	33.3	125	27	97	11	16	12.7	65	7.5			31.0	33.3	204	0.51	25.5	204	0.51		
SALP SBLP 205-13			17/16	5 1/8	1 9/64	315/16	7/16	5/8	1/2	2 3/4	0.2953	10	3/8	1.2204	1.5000	SA 205-13	0.61		SB 205-13	0.57		
205-14	13/16															205-14	0.61	1.0630	205-14	0.57		
205-15	7/8		36.5	130	29	100	11	16	12.7	70	7.5			31.0	38.1	205-15	0.61		205-15	0.57		
205	15/16	25														205	0.61	27.0	205	0.57		
205-16	1															205-16	0.61		205-16	0.57		
SALP SBLP 206-17			1 11/16	6 9/64	1 19/64	4 47/64	35/64	13/16	19/32	3 9/32	0.3543	14	1/2	1.4055	2.7520	SA 206-17	0.72		SB 206-17	0.69		
206-18	1 1/8															206-18	0.72	1.1811	206-18	0.69		
206		30	42.9	156	33	120	14	21	15	83	9.0			35.7	44.5	206	0.72	30.0	206	0.69		
206-19	1 3/16															206-19	0.72		206-19	0.69		
206-20	1 1/4															206-20	0.72		206-20	0.69		
SALP SBLP 207-20			1 7/8	6 1/2	1 3/8	5	35/64	13/16	5/8	3 5/8	0.3740	14	1/2	1.5315	2.1890	SA 207-20	1.02		SB 207-20	0.94		
207-21	1 5/16															207-21	1.02	1.3780	207-21	0.94		
207-22	1 3/8		47.6	165	35	127	14	21	16	92	9.5			38.9	55.6	207-22	1.02	35.0	207-22	0.94		
207		35														207	1.02		207	0.94		
207-23	1 7/16															207-23	1.02		207-23	0.94		
SALP SBLP 208-24			2	7 1/4	1 29/64	5 33/64	35/64	7/8	45/64	4 1/32	0.4331	14	1/2	1.7205	2.3740	SA 208-24	1.87	1.5748	SB 208-24	1.80		
208-25	1 1/2															208-25	1.87	40.0	208-25	1.80		
208	1 9/16	40	50.8	184	37	140	14	22	18	102	11			43.7	60.3	208	1.87		208	1.80		

SQUARE FLANGE TYPE UNITS

UCF2

(Cylindrical bore)

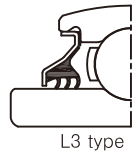
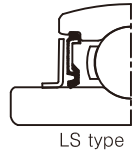
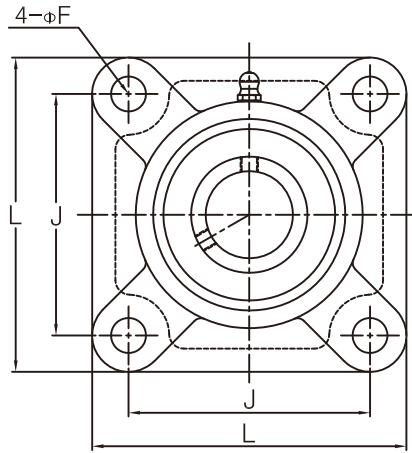
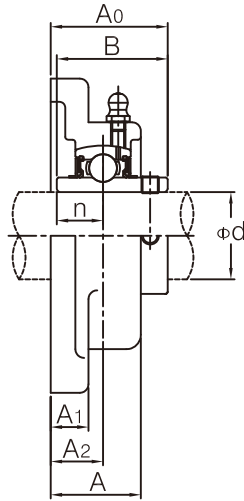


Unit No.	Shaft Dia.		Dimensions (in./mm)										Bolt used		Bearing No.	Housing No.	Weight (kgf)
	d		L	A	J	F	A ₁	A ₂	A ₀	B	n	(mm)	(in.)				
	(in.)	(mm)															
UCF 201	1/2	12												UC 201		0.64	
201-8														201-8		0.64	
202		15												202		0.62	
202-10	5/8	17	3/8	1	2 ³³ / ₆₄	15/32	7/16	19/32	1 ⁵ / ₁₆	1.2205	0.5000	10	3/8	UC 202-10	F 204	0.62	
203			86	25.5	64	12	11	15	33.3	31.0	12.7			203		0.61	
203-11	11/16													203-11		0.61	
204-12	3/4													204-12		0.59	
204		20												204		0.59	
UCF 205-13	13/16													UC 205-13		0.83	
205-14	7/8													205-14		0.83	
205-15	15/16													205-15		0.83	
205		25	3/4	1 ¹¹ / ₁₆	2 ³ / ₄	15/32	35/64	5/8	1 ¹³ / ₃₂	1.3425	0.5630	10	3/8	205	F 205	0.83	
205-16	1													205-16		0.83	
UCF 206-17	1 ¹ / ₁₆													UC 206-17		1.1	
206-18	1 ¹ / ₈													206-18		1.1	
206		30	4 ¹ / ₄	1 ⁷ / ₃₂	3 ¹⁷ / ₆₄	15/32	9/16	45/64	1 ¹⁹ / ₃₂	1.5000	0.6260	10	3/8	206	F 206	1.1	
206-19	13/16		108	31	83	12	14.3	18	40.2	38.1	15.9			206-19		1.1	
206-20	1/4													206-20		1.1	
UCF 207-20	1 ¹ / ₄													UC 207-20		1.5	
207-21	1 ⁵ / ₁₆													207-21		1.5	
207-22	13/8													207-22		1.5	
207		35	4 ¹⁹ / ₃₂	1 ¹¹ / ₃₂	3 ⁵ / ₈	35/64	39/64	3/4	1 ³ / ₄	1.6890	0.6890	12	7/16	207	F 207	1.5	
207-23	17/16		117	34	92	14	15.5	19	44.4	42.9	17.5			207-23		1.5	
UCF 208-24	1 ¹ / ₂													UC 208-24		1.9	
208-25	1 ⁹ / ₁₆													208-25		1.9	
208		40	5 ¹ / ₈	1 ¹³ / ₃₂	4 ¹ / ₆₄	5/8	39/64	53/64	2 ¹ / ₃₂	1.9370	0.7480	14	1/2	208	F 208	1.9	
UCF 209-26	1 ⁵ / ₈													UC 209-26		2.2	
209-27	1 ¹¹ / ₁₆													209-27		2.2	
209-28	13/4													209-28		2.2	
209		45	5 ¹³ / ₃₂	1 ¹ / ₂	4 ⁹ / ₆₄	5/8	11/16	55/64	2 ¹ / ₁₆	1.9370	0.7480	14	1/2	209	F 209	2.2	
UCF 210-29	1 ¹³ / ₁₆													UC 210-29		2.5	
210-30	1 ⁷ / ₈													210-30		2.5	
210-31	1 ¹⁵ / ₁₆													210-31		2.5	
210		50	5 ⁵ / ₈	1 ⁹ / ₁₆	4 ³ / ₈	5/8	11/16	55/64	2 ⁵ / ₃₂	2.0315	0.7480	14	1/2	210	F 210	2.5	
210-32	2		143	40	111	16	17.5	22	54.6	51.6	19.0			210-32		2.5	
UCF 211-31	1 ¹⁵ / ₁₆													UC 211-31		3.4	
211-32	2													211-32		3.4	
211-34	2 ¹ / ₈													211-34		3.4	
211		55	6 ³ / ₈	1 ¹¹ / ₁₆	5 ¹ / ₈	3/4	49/64	63/64	2 ⁵ / ₁₆	2.1890	0.8740	16	5/8	211	F 211	3.4	
211-35	2 ³ / ₁₆		162	43	130	19	19.5	25	58.4	55.6	22.2			211-35		3.4	
UCF 212-36	2 ¹ / ₄													UC 212-36		4.2	
212		60												212		4.2	
212-37	2 ⁵ / ₁₆													212-37		4.2	
212-38	2 ³ / ₈													212-38		4.2	
212-39	2 ⁷ / ₁₆													212-39		4.2	
UCF 213-40	2 ¹ / ₂													UC 213-40		5.2	
213		65	7 ³ / ₈	1 ³¹ / ₃₂	5 ⁵⁵ / ₆₄	3/4	29/32	1 ³ / ₁₆	2 ³ / ₄	2.5630	1.0000	16	5/8	213	F 213	5.2	
UCF 214-43	2 ¹¹ / ₁₆													UC 214-43		5.9	
214-44	2 ³ / ₄													214-44		5.9	
214		70	7 ¹⁹ / ₃₂	2 ¹ / ₈	5 ⁶³ / ₆₄	3/4	29/32	1 ⁷ / ₃₂	2 ³¹ / ₃₂	2.9370	1.1890	16	5/8	214	F 214	5.9	
UCF 215-46	2 ⁷ / ₈													UC 215-46		6.4	
215-47	2 ¹⁵ / ₁₆													215-47		6.4	
215		75	7 ⁷ / ₈	2 ⁷ / ₃₂	6 ¹⁷ / ₆₄	3/4	29/32	1 ¹¹ / ₃₂	3 ³ / ₃₂	3.0630	1.3110	16	5/8	215	F 215	6.4	
215-48	3		200	56	159	19	23	34	78.5	77.8	33.3			215-48		6.4	
UCF 216		80	8 ³ / ₁₆	2 ⁹ / ₃₂	6 ¹ / ₂	29/32	15/16	1 ¹¹ / ₃₂	3 ⁹ / ₃₂	3.2520	1.3110	20	3/4	UC 216	F 216	7.3	
216			208	58	165	23	24	34	83.3	82.6	33.3			216		7.3	
UCF 217-52	3 ¹ / ₄													UC 217-52		8.9	
217		85	8 ²¹ / ₃₂	2 ¹⁵ / ₃₂	6 ⁵⁷ / ₆₄	29/32	1	1 ²⁷ / ₆₄	3 ⁷ / ₁₆	3.3740	1.3425	20	3/4	217	F 217	8.9	
UCF 218-56	3 ¹ / ₂													UC 218-56		11.4	
218		90	9 ¹ / ₄	2 ¹¹ / ₁₆	7 ²³ / ₆₄	29/32	1 ¹ / ₃₂	1 ³⁷ / ₆₄	3 ²⁵ / ₃₂	3.7795	1.5630	20	3/4	218	F 218	11.4	

SQUARE FLANGE TYPE UNITS

UCFX

(Cylindrical bore)

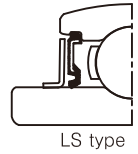
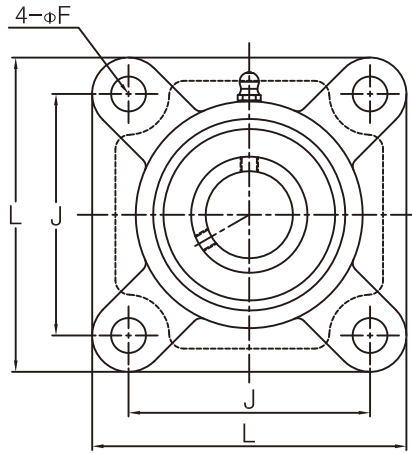
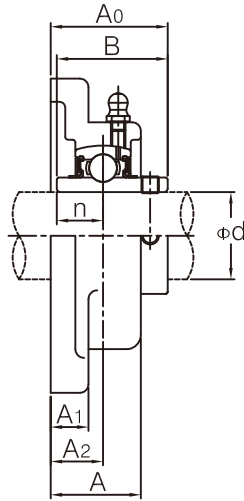


Unit No.	Shaft Dia.		Dimensions (in.) (mm)										Bolt used		Bearing No.	Housing No.	Weight (kgf)
	d		L	A	J	F	A ₁	A ₂	A ₀	B	n						
	(in.)	(mm)										(mm)	(in.)				
UCF X05-13	13/16													UC X05-13		1.2	
X05-14	7/8													X05-14		1.2	
X05-15	15/16		4 1/4	1 3/16	3 17/64	15/32	1/2	45/64	1 19/32	1.5000	0.6260	10	3/8	X05-15	F X05	1.2	
X05		25	108	30	83	12	12.7	18	40.2	38.1	15.9			X05		1.2	
X05-16	1													X05-16		1.2	
UCF X06-17	1 1/16													UC X06-17		1.6	
X06-18	1 1/8													X06-18		1.6	
X06		30	4 19/32	1 11/32	3 5/8	5/8	9/16	3/4	1 3/4	1.6890	0.6890	14	1/2	X06	F X06	1.6	
X06-19	1 3/16		117	34	92	16	14.3	19	44.4	42.9	17.5			X06-19		1.6	
X06-20	1/4													X06-20		1.6	
UCF X07-20	1 1/4													UC X07-20		2.0	
X07-21	1 5/16													X07-21		2.0	
X07-22	1 3/8		5 1/8	1 1/2	4 1/64	5/8	9/16	53/64	2 1/32	1.9370	0.7480	14	1/2	X07-22	F X07	2.0	
X07		35	130	38	102	16	14.3	21	51.2	49.2	19.0			X07		2.0	
X07-23	1 7/16													X07-23		2.0	
UCF X08-24	1 1/2													UC X08-24		2.4	
X08-25	1 9/16													X08-25		2.4	
X08		40	5 13/32	1 9/16	4 9/64	3/4	9/16	55/64	2 1/16	1.9370	0.7480	16	5/8	X08	F X08	2.4	
			137	40	105	19	14.3	22	52.2	49.2	19.0					2.4	
UCF X09-26	1 5/8													UC X09-26		2.7	
X09-27	1 11/16													X09-27		2.7	
X09-28	1 3/4		5 3/8	1 9/16	4 3/8	3/4	9/16	29/32	2 3/16	2.0315	0.7480	16	5/8	X09-28	F X09	2.7	
X09		45	143	40	111	19	14.3	23	55.6	51.6	19.0			X09		2.7	
UCF X10-30	1 7/8													UC X10-30		3.7	
X10-31	1 15/16													X10-31		3.7	
X10		50	6 3/8	1 23/32	5 1/8	3/4	25/32	1 1/32	2 11/32	2.1890	0.8740	16	5/8	X10	F X10	3.7	
X10-32	2		162	44	130	19	19.8	26	59.4	55.6	22.2			X10-32		3.7	
UCF X11-31	1 15/16													UC X11-31		4.9	
X11-32	2													X11-32		4.9	
X11-34	2 1/8		6 7/8	1 15/16	5 5/8	3/4	25/32	1 9/64	2 23/32	2.5630	1.0000	16	5/8	X11-34	F X11	4.9	
X11		55	175	49	143	19	19.8	29	68.7	65.1	25.4			X11		4.9	
X11-35	2 3/16													X11-35		4.9	
UCF X12-36	2 1/4													UC X12-36		5.7	
X12		60	7 3/8	2 5/16	5 55/64	3/4	13/16	1 11/32	2 29/32	2.5630	1.0000	16	5/8	X12		5.7	
X12-37	2 5/16		187	59	149	19	20.6	34	73.7	65.1	25.4			X12-37	F X12	5.7	
X12-38	2 3/8													X12-38		5.7	
X12-39	2 7/16													X12-39		5.7	
UCF X13-40	2 1/2													UC X13-40		6.3	
X13		65	7 3/8	2 5/16	5 55/64	3/4	13/16	1 11/32	3 3/32	2.9370	1.1890	16	5/8	X13	F X13	6.3	
			187	59	149	19	20.6	34	78.4	74.6	30.2					6.3	
UCF X14-43	2 11/16													UC X14-43		7.0	
X14-44	2 3/4													X14-44		7.0	
X14		70	7 3/4	2 3/8	5 63/64	29/32	15/16	1 29/64	3 7/32	3.0630	1.3110	20	3/4	X14	F X14	7.0	
			197	60	152	23	23.8	37	81.5	77.8	33.3					7.0	
UCF X15-47	2 15/16													UC X15-47		8.4	
X15		75	7 3/4	2 11/16	5 63/64	29/32	15/16	1 37/64	3 17/32	3.2520	1.3110	20	3/4	X15	F X15	8.4	
X15-48	3		197	68	152	23	23.8	40	89.3	82.6	33.3			X15-48		8.4	
UCF X16		80	8 7/16	2 3/4	6 47/64	29/32	15/16	1 37/64	3 19/32	3.3740	1.3425	20	3/4	UC X16	F X16	9.4	
			214	70	171	23	23.8	40	91.6	85.7	34.1					9.4	
UCF X17		85	8 7/16	2 3/4	6 47/64	29/32	15/16	1 36/64	3 25/32	3.7795	1.5630	20	3/4	UC X17		10.8	
X17-52	3 1/4		214	70	171	23	23.8	40	96.3	96.0	39.7			X17-52	F X17	10.8	
X17-55	3 7/16													X17-55		10.8	
UCF X18-56	3 1/2													UC X18-56		11.9	
X18		90	8 7/16	3	6 47/64	29/32	15/16	1 49/64	4 3/16	4.0945	1.6890	20	3/4	X18	F X18	11.9	
			214	76	171	23	23.8	45	106.1	104.0	42.9					11.9	
UCF X20		100	10 9/16	3 13/16	8 5/16	1 7/32	1 7/32	2 21/64	5 1/64	4.6260	1.9370	27	1	UC X20		19.4	
X20-63	3 15/16		268	97	211	31	31	59	127.3	117.5	49.2			X20-63	F X20	19.4	
X20-64	4													X20-64		19.4	

SQUARE FLANGE TYPE UNITS

UCF3

(Cylindrical bore)

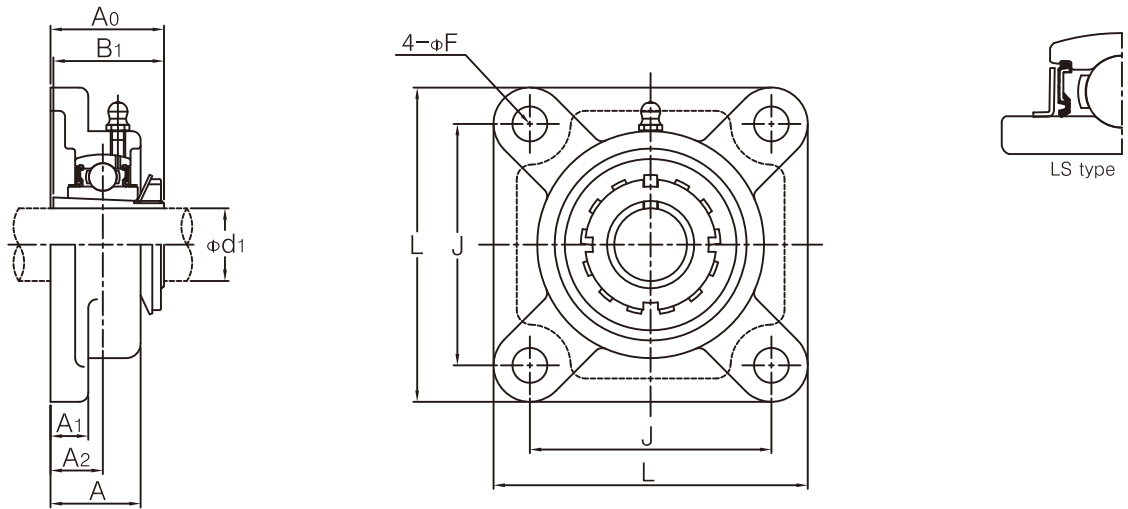


Unit No.	Shaft Dia.		Dimensions (in./mm)									Bolt used		Bearing No.	Housing No.	Weight (kgf)
	d		L	A	J	F	A ₁	A ₂	A ₀	B	n	(mm)	(in.)			
	(in.)	(mm)														
UCF 305 305-16	1	25	4 11/32 110	1 5/32 29	3 5/32 80	5/8 16	1/2 13	5/8 16	1 17/32 39	1.4961 38	0.5906 15	14	1/2	UC 305 305-16	F 305	1.3 1.3
UCF 306-18 306	1 1/8	30	4 29/32 125	1 1/4 32	3 47/64 95	5/8 16	19/32 15	45/64 18	1 23/32 44	1.6929 43	0.6693 17	14	1/2	UC 306-18 306	F 306	1.9 1.9
UCF 307-20 307-22 307 307-23	1 1/4 1 3/8 1 7/16	35	5 5/16 135	1 13/32 36	3 15/16 100	3/4 19	5/8 16	25/32 20	1 15/16 49	1.8897 48	0.7480 19	16	5/8	UC 307-20 307-22 307 307-23	F 307	2.3 2.3 2.3 2.3
UCF 308-24 308	1 1/2	40	5 29/32 150	1 9/16 40	4 13/32 112	3/4 19	2 1/2 17	29/32 23	2 7/32 56	2.0472 52	0.7480 19	16	5/8	UC 308-24 308	F 308	3.1 3.1
UCF 309-28 309	1 3/4	45	6 5/16 160	2 3/32 44	4 59/64 125	3/4 19	2 3/32 18	63/64 25	2 3/8 60	2.2441 57	0.8661 22	16	5/8	UC 309-28 309	F 309	4.0 4.0
UCF 310-31 310	1 15/16	50	6 7/8 175	1 7/8 48	5 13/64 132	29/32 23	3/4 19	1 7/64 28	2 5/8 67	2.4015 61	0.8661 22	20	3/4	UC 310-31 310	F 310	5.1 5.1
UCF 311-32 311	2	55	7 9/32 185	2 1/16 52	5 33/64 140	29/32 23	2 5/32 20	1 3/16 30	2 25/32 71	2.5984 66	0.9842 25	20	3/4	UC 311-32 311	F 311	5.6 5.6
UCF 312		60	7 11/16 195	2 7/32 56	5 29/32 150	29/32 23	7/8 22	1 19/64 33	3 1/16 78	2.7953 71	1.0236 26	20	3/4	UC 312	F 312	6.9 6.9
UCF 313-40 313	2 1/2	65	8 3/16 208	2 9/32 58	6 17/32 166	29/32 23	7/8 22	1 19/64 33	3 1/16 78	2.9528 75	1.1811 30	20	3/4	UC 313-40 313	F 313	7.8 7.8
UCF 314-44 314	2 3/4	70	8 29/32 226	2 13/32 61	7 1/64 178	63/64 25	1 25	1 27/64 36	3 3/16 81	3.0709 78	1.2992 33	22	7/8	UC 314-44 314	F 314	10.1 10.1
UCF 315 315-48	3	75	9 9/32 236	2 19/32 66	7 1/4 184	63/64 25	1 25	1 17/32 39	3 1/2 89	3.2283 82	1.2598 32	22	7/8	UC 315 315-48	F 315	11.6 11.6
UCF 316		80	9 27/32 250	2 11/16 68	7 23/32 196	1 7/32 31	1 1/16 27	1 1/2 38	3 17/32 90	3.3858 86	1.3386 34	27	1	UC 316	F 316	12.8 12.8
UCF 317		85	10 1/4 260	2 29/32 74	8 1/32 204	1 7/32 31	1 1/16 27	1 47/64 44	3 15/16 100	3.7795 96	1.5748 40	27	1	UC 317	F 317	15.3 15.3
UCF 318-56 318	3 1/2	90	11 1/32 280	3 76	8 1/2 216	1 3/8 35	1 3/16 30	1 47/64 44	3 15/16 100	3.7795 96	1.5748 40	30	1 1/8	UC 318-56 318	F 318	18.9 18.9
UCF 319		95	11 13/32 290	3 11/16 94	8 31/32 228	1 3/8 35	1 3/16 30	2 21/64 59	4 3/4 121	4.0551 103	1.6142 41	30	1 1/8	UC 319	F 319	21.6 21.6
UCF 320 320-64	4	100	12 7/32 310	3 11/16 94	9 17/32 242	1 1/2 38	1 1/4 32	2 21/64 59	4 29/32 125	4.2519 108	1.6535 42	33	1 1/4	UC 320 320-64	F 320	25.8 25.8
UCF 321		105	12 7/32 310	3 11/16 94	9 17/32 242	1 1/2 38	1 1/4 32	2 21/64 59	5 127	4.4094 112	1.7323 44	33	1 1/4	UC 321	F 321	30.2 30.2
UCF 322		110	13 3/8 340	3 25/32 96	10 15/32 266	1 39/64 41	1 3/8 35	2 23/64 60	5 5/32 131	4.6063 117	1.8110 46	36	1 3/8	UC 322	F 322	35.3 35.3
UCF 324		120	14 9/16 370	4 11/32 110	11 27/64 290	1 39/64 41	1 9/16 40	2 9/16 65	5 1/2 140	4.9606 126	2.0079 51	36	1 3/8	UC 324	F 324	47.3 47.3
UCF 326 326-82	5 1/8	130	16 5/32 410	4 17/32 115	12 19/32 320	1 39/64 41	1 25/32 45	2 9/16 65	5 3/4 146	5.3150 135	2.1260 54	36	1 3/8	UC 326 326-82	F 326	65.5 65.5
UCF 328 328-88	5 1/2	140	17 23/32 450	4 29/32 125	13 25/32 350	1 39/64 41	2 5/32 55	2 61/64 75	6 11/32 161	5.7086 145	2.3228 59	36	1 3/8	UC 328 328-88	F 328	93.4 93.4

SQUARE FLANGE TYPE UNITS

UKF2

(Tapered bore)

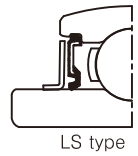
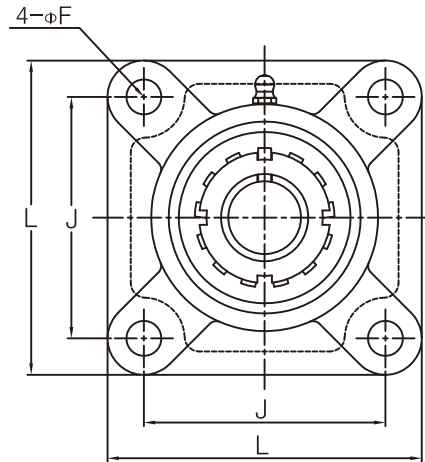
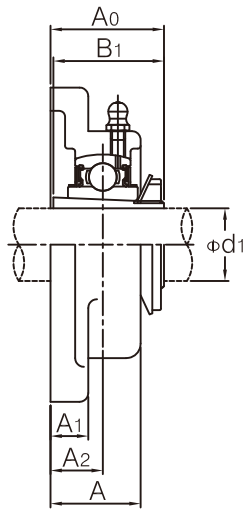


Unit No.	Shaft Dia.		Dimensions (in.) (mm)								Bolt used		Bearing No.	Housing No.	Adapter used	Weight (kgf)
	d1		L	A	J	F	A1	A2	A0	B1	(mm)	(in.)				
	(in.)	(mm)														
UKF 205 205	3/4	20	33/4 95	11/16 27	23/4 70	15/32 12	35/64 14	5/8 16	13/8 34.7	13/8 35	10	3/8	UK 205	F 205	HE2305 H 2305	0.87 0.87
UKF 206 206 206 206	7/8 15/16 1	25	41/4 108	17/32 31	317/64 83	15/32 12	9/16 14.3	45/64 18	11/2 37.7	11/2 38	10	3/8	UK 206	F 206	HS2306 HA2306 H 2306 HE2306	1.3 1.3 1.3 1.3
UKF 207 207 207	11/8 13/16	30	419/32 117	111/32 34	35/8 92	35/64 14	39/64 15.5	3/4 19	15/8 41.2	111/16 43	12	7/16	UK 207	F 207	HS2307 H 2307 HA2307	1.6 1.6 1.6
UKF 208 208 208	11/4 13/8	35	51/8 130	113/32 36	41/64 102	5/8 16	39/64 15.5	53/64 21	13/4 44.7	113/16 46	14	1/2	UK 208	F 208	HE2308 HS2308 H 2308	1.9 1.9 1.9
UKF 209 209 209 209	17/16 11/2 15/8	40	513/32 137	11/2 38	49/64 105	5/8 16	11/16 17.5	55/64 22	127/32 47.2	131/32 50	14	1/2	UK 209	F 209	HA2309 HE2309 H 2309 HS2309	2.3 2.3 2.3 2.3
UKF 210 210 210	111/16 13/4	45	55/8 143	19/16 40	43/8 111	5/8 16	11/16 17.5	55/64 22	129/32 48.7	25/32 55	14	1/2	UK 210	F 210	HA2310 HE2310 H 2310	2.6 2.6 2.6
UKF 211 211 211 211	17/8 115/16 2	50	63/8 162	111/16 43	51/8 130	3/4 19	49/64 19.5	63/64 25	21/16 52.7	25/16 59	16	5/8	UK 211	F 211	HA2311 HA2311 H 2311 HE2311	3.5 3.5 3.5 3.5
UKF 212 212	21/8	55	67/8 175	17/8 48	55/8 143	3/4 19	49/64 19.5	19/64 29	29/32 58.0	27/16 62	16	5/8	UK 212	F 212	HS2312 H 2312	4.1 4.1
UKF 213 213 213 213	23/16 21/4 23/8	60	73/8 187	131/32 50	555/64 149	3/4 19	29/32 23	13/16 30	213/32 61.5	29/16 65	16	5/8	UK 213	F 213	HA2313 HE2313 H 2313 HS2313	5.1 5.1 5.1 5.1
UKF 215 215 215	27/16 21/2	65	77/8 200	27/32 56	617/64 159	3/4 19	29/32 23	111/32 34	211/16 68.5	27/8 73	16	5/8	UK 215	F 215	HA2315 HE2315 H 2315	6.5 6.5 6.5
UKF 216 216 216	211/16 21/2	70	83/16 208	29/32 58	61/2 165	29/32 23	15/16 24	111/32 34	213/16 71.8	31/16 78	20	3/4	UK 216	F 216	HA2316 HE2316 H 2316	7.6 7.6 7.6
UKF 217 217 217	215/16 3	75	821/32 220	215/32 63	657/64 175	29/32 23	1 25	127/64 36	231/32 75.8	37/32 82	20	3/4	UK 217	F 217	HA2317 HE2317 H 2317	9.0 9.0 9.0
UKF 218		80	91/4 235	211/16 68	723/64 187	29/32 23	11/32 26	137/64 40	37/32 81.8	33/8 86	20	3/4	UK 218	F 218	HS2318	11.4

SQUARE FLANGE TYPE UNITS

UKFX

(Tapered bore)

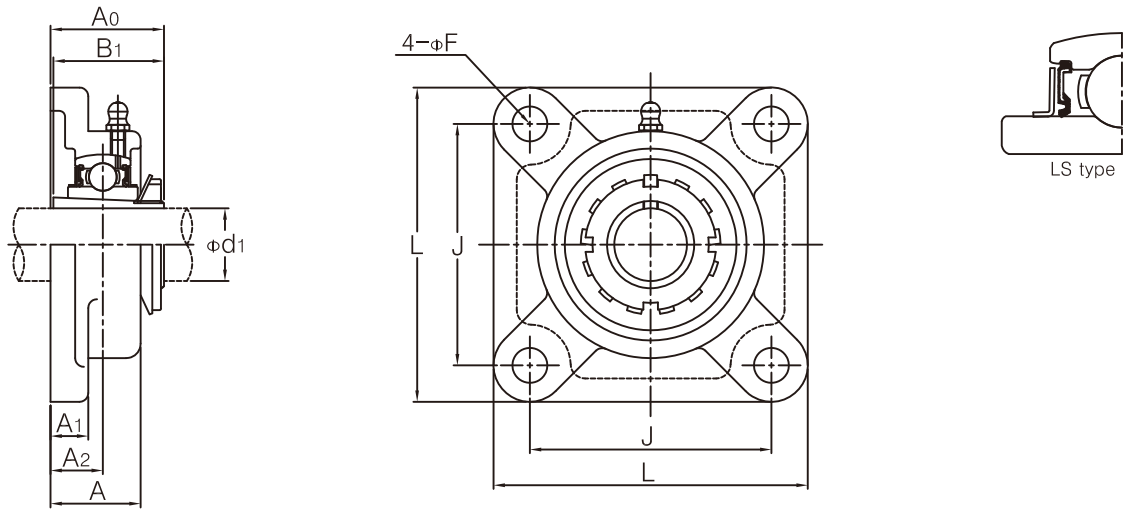


Unit No.	Shaft Dia.		Dimensions (in.) (mm)										Bolt used		Bearing No.	Housing No.	Adapter used	Weight (kgf)
	d1		L	A	J	F	A1	A2	A0	B1	(mm)	(in.)						
	(in.)	(mm)																
UKF X05 X05	3/4	20	4 1/4 108	1 3/16 30	3 17/64 83	15/32 12	1/2 12.7	45/64 18	1 1/2 37.7	1 3/8 35	10	3/8	UK X05	F X05	HE2305 H 2305	1.2 1.2		
UKF X06 X06 X06 X06	7/8 15/16 1	25	4 19/32 117	1 11/32 34	3 5/8 92	5/8 16	9/16 14.3	3/4 19	1 19/32 40.2	1 1/2 38	14	1/2	UK X06	F X06	HS2306 HA2306 H 2306 HE2306	1.6 1.6 1.6 1.6		
UKF X07 X07 X07	1 1/8 1 3/16	30	5 1/8 130	1 1/2 38	4 1/64 102	5/8 16	9/16 14.3	53/64 21	1 23/32 43.7	1 11/16 43	14	1/2	UK X07	F X07	HS2307 H 2307 HA2307	2.0 2.0 2.0		
UKF X08 X08 X08	1 1/4 1 3/8	35	5 13/32 137	1 9/16 40	4 9/64 105	3/4 19	9/16 14.3	55/64 22	1 13/16 46.2	1 13/16 46	16	5/8	UK X08	F X08	HE2308 H 2308 HS2308	2.3 2.3 2.3		
UKF X09 X09 X09 X09	1 7/16 1 1/2 1 5/8	40	5 5/8 143	1 9/16 40	4 3/8 111	3/4 19	9/16 14.3	29/32 23	1 29/32 48.7	1 31/32 50	16	5/8	UK X09	F 209	HA2309 HE2309 H 2309 HS2309	2.7 2.7 2.7 2.7		
UKF X10 X10 X10	1 11/16 1 3/4	45	6 3/8 162	1 23/32 44	5 1/8 130	3/4 19	25/32 19.8	1 1/32 26	2 1/8 53.7	2 5/32 55	16	5/8	UK X10	F X10	HA2310 HE2310 H 2310	3.6 3.6 3.6		
UKF X11 X11 X11 X11	1 7/8 1 15/16 2	50	6 7/8 175	1 15/16 49	5 5/8 143	3/4 19	25/32 19.8	1 9/64 29	2 9/32 57.7	2 5/16 59	16	5/8	UK X11	F X11	HS2311 HA2311 H 2311 HE2311	4.6 4.6 4.6 4.6		
UKF X12 X12	2 1/8	55	7 3/8 187	2 5/16 59	5 55/64 149	3/4 19	13/16 20.6	1 11/32 34	2 17/32 64.5	2 7/16 62	16	5/8	UK X12	F X12	HS2312 H 2312	5.5 5.5		
UKF X13 X13 X13 X13	2 3/16 2 1/4 2 3/8	60	7 3/8 187	2 5/16 59	5 55/64 149	3/4 19	13/16 20.6	1 11/32 34	2 21/32 67.5	2 9/16 65	16	5/8	UK X13	F X13	HA2313 HE2313 H 2313 HS2313	6.0 6.0 6.0 6.0		
UKF X15 X15 X15	2 1/2 2 5/8	65	7 3/4 197	2 11/16 68	5 63/64 152	29/32 23	15/16 23.8	1 37/64 40	2 31/32 75.5	2 7/8 73	20	3/4	UK X15	F X15	HA2315 HE2315 H 2315	8.1 8.1 8.1		
UKF X16 X16	2 3/4	70	8 7/16 214	2 3/4 70	6 47/64 171	29/32 23	15/16 23.8	1 37/64 40	3 3/32 78.8	3 1/16 78	20	3/4	UK X16	F X16	HE2316 H 2316	9.5 9.5		
UKF X17 X17 X17 X17	2 7/8 2 15/16 3	75	8 7/16 214	2 3/4 70	6 47/64 171	29/32 23	15/16 23.8	1 37/64 40	3 7/32 81.8	3 7/32 82	20	3/4	UK X16	F X16	HS2317 HA2317 H 2317 HE2317	10.4 10.4 10.4 10.4		
UKF X18		80	8 7/16 214	3 76	6 47/64 171	29/32 23	15/16 23.8	1 49/64 45	3 15/32 87.8	3 3/8 86	20	3/4	UK X18	F X18	H 2318	11.4		
UKF X20 X20	3 1/2	90	10 9/16 268	3 13/16 97	8 5/16 211	1 7/32 31	1 7/32 31	2 21/64 59	4 5/32 105.8	3 13/16 97	27	1	UK X20	F X20	HE2320 H 2320	18.4 18.4		

SQUARE FLANGE TYPE UNITS

UKF3

(Tapered bore)

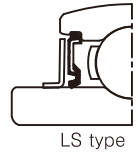
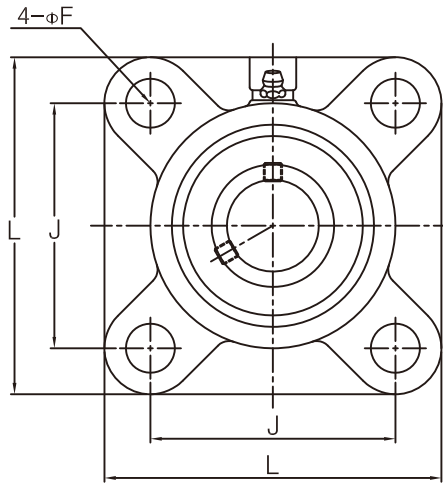
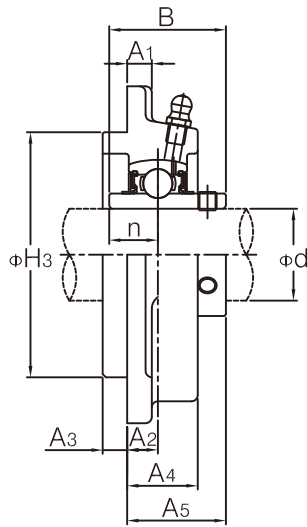


Unit No.	Shaft Dia.		Dimensions (in. / mm)										Bolt used		Bearing No.	Housing No.	Adapter used	Weight (kgf)									
	d1		L	A	J	F	A1	A2	A0	B1	(mm)	(in.)															
	(in.)	(mm)																									
UKF 305	3/4	20	411/32	15/32	35/32	5/8	1/2	5/8	11/2	13/8	14	1/2	UK 305	F 305	HE2305	1.4											
305			110	29	80	16	13	16	37.7	35					H 2305	1.4											
UKF 306	7/8	25	429/32	11/4	347/64	5/8	19/32	45/64	15/8	11/2	14	1/2	UK 306	F 306	HS2306	1.9											
306	15/16														125	32	95	16	15	18	41.2	38			HA2306	1.9	
306	1																									H 2306	1.9
306																										HE2306	1.9
UKF 307	11/8	30	55/16	113/32	315/16	3/4	5/8	25/32	125/32	111/16	16	5/8	UK 307	F 307	HS2307	2.3											
307	13/16														135	36	100	19	16	20	45.7	43			H 2307	2.3	
307																										HA2307	2.3
UKF 308	11/4	35	529/32	19/16	413/32	3/4	21/32	29/32	2	113/16	16	5/8	UK 308	F 308	HE2308	3.1											
308	13/8														150	40	112	19	17	23	50.7	46			HS2308	3.1	
308																										H 2308	3.1
UKF 309	17/16	40	65/16	123/32	459/64	3/4	23/32	63/64	23/16	131/32	16	5/8	UK 309	F 309	HA2309	4.1											
309	11/2														160	44	125	19	18	25	55.2	50			HE2309	4.1	
309	15/8																									H 2309	4.1
309																										HS2309	4.1
UKF 310	111/16	45	67/8	17/8	513/64	29/32	3/4	17/64	23/8	25/32	20	3/4	UK 310	F 310	HA2310	5.1											
310	13/4														175	48	132	23	19	28	60.2	55			HE2310	5.1	
310																										H 2310	5.1
UKF 311	17/8	50	79/32	21/16	533/64	29/32	25/32	13/16	21/2	25/16	20	3/4	UK 311	F 311	HS2311	5.9											
311	15/16														185	52	140	23	20	30	63.7	59			HA2311	5.9	
311	2																									H 2311	5.9
311																										HE2311	5.9
UKF 312	21/8	55	711/16	27/32	529/32	29/32	7/8	119/64	223/32	27/16	20	3/4	UK 312	F 312	HS2312	6.8											
312															195	56	150	23	22	33	69.0	62			H 2312	6.8	
UKF 313	23/16	60	83/16	29/32	617/32	29/32	7/8	119/64	213/16	29/16	20	3/4	UK 313	F 313	HA2313	7.9											
313	21/4														208	58	166	23	22	33	71.0	65			HE2313	7.9	
313	23/8																									H 2313	7.9
313																										HS2313	7.9
UKF 315	21/2	65	99/32	219/32	71/4	63/64	1	117/32	33/16	27/8	22	7/8	UK 315	F 315	HE2315	11.7											
315															236	66	184	25	25	39	81.0	73			H 2315	11.7	
UKF 316	23/4	70	927/32	211/16	723/32	17/32	11/16	11/2	31/4	31/16	27	1	UK 316	F 316	HE2316	12.9											
316															250	68	196	31	27	38	82.3	78			H 2316	12.9	
UKF 317	3	75	101/4	229/32	81/32	17/32	11/16	147/64	35/8	37/32	27	1	UK 317	F 317	H 2317	15.2											
317																260	74	204	31	27	44	91.8	82			HE2317	15.2
UKF 318		80	111/32	3	81/2	13/8	13/16	147/64	35/8	33/8	30	11/8	UK 318	F 318	H 2318	19.0											
			280	76	216	35	30	44	91.8	86																	
UKF 319	31/4	85	1113/32	311/16	831/32	13/8	13/16	221/64	43/8	317/32	30	11/8	UK 319	F 319	HE2319	21.9											
319															290	94	228	35	30	59	110.8	90			H 2319	21.9	
UKF 320	31/2	90	127/32	311/16	917/32	11/2	11/4	221/64	47/16	313/16	33	11/4	UK 320	F 320	HE2320	25.4											
320															310	94	242	38	32	59	112.8	97			H 2320	25.4	
UKF 322	4	100	133/8	325/32	1015/32	139/64	13/8	223/64	423/32	41/8	36	13/8	UK 322	F 322	HE2322	35.2											
322																340	96	266	41	35	60	119.8	105			H 2322	35.2
UKF 324	47/16	110	149/16	411/32	127/64	139/64	19/16	29/16	51/8	413/32	36	13/8	UK 324	F 324	H 2324	47.6											
324																370	110	290	41	40	65	130.5	112			HA2324	47.6
UKF 326	41/2	115	165/32	417/32	1219/32	139/64	125/32	29/16	53/16	43/4	36	13/8	UK 326	F 326	HE2326	65.3											
326																410	115	320	41	45	65	131.5	121			H 2326	65.3
UKF 328	415/16	125	1723/32	429/32	1325/32	139/64	25/32	261/64	513/16	55/32	36	13/8	UK 328	F 328	H 2328	93.4											
328																450	125	350	41	55	75	147.5	131			HA2328	93.4

SQUARE FLANGE S TYPE UNITS

UCFS3

(Cylindrical bore)

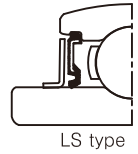
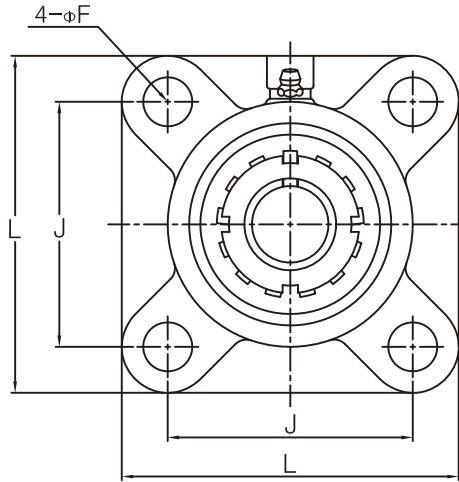
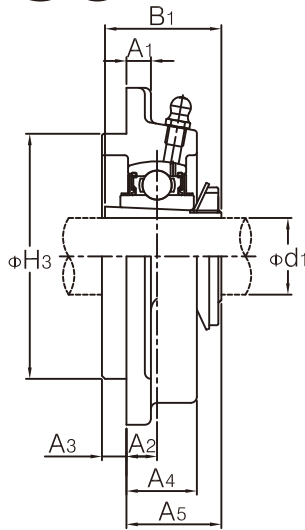


Unit No.	Shaft Dia.		Dimensions (in./mm)											Bolt used		Bearing No.	Housing No.	Weight (kgf)
	d		L	H ₃	J	F	A ₁	A ₂	A ₃	A ₄	A ₅	B	n					
	(in.)	(mm)												(mm)	(mm)			
UCFS 305 305-16	1	25	4 ¹¹ / ₃₂ 110	3 ⁵ / ₃₂ 80	3 ⁵ / ₃₂ 80	5/8 16	1/2 13	23/64 9	9/32 7	7/8 22	1 ¹ / ₄ 32	1.4961 38	0.5906 15	14	1/2	UC 305 305-16	FS 305	1.4 1.4
UCFS 306-18 306	1 ¹ / ₈	30	4 ²⁹ / ₃₂ 125	3 ¹⁷ / ₃₂ 90	3 ⁴⁷ / ₆₄ 95	5/8 16	19/32 15	25/64 10	5/16 8	15/16 24	1 ¹³ / ₃₂ 36	1.6929 43	0.6693 17	14	1/2	UC 306-18 306	FS 306	1.9 1.9
UCFS 307-20 307-22 307 307-23	1 ¹ / ₄ 1 ³ / ₈	35	5 ⁵ / ₁₆ 135	3 ¹⁵ / ₁₆ 100	3 ¹⁵ / ₁₆ 100	3/4 19	5/8 16	7/16 11	23/64 9	1 ¹ / ₁₆ 27	1 ⁹ / ₁₆ 40	1.8897 48	0.7480 19	16	5/8	UC 307-20 307-22 307 307-23	FS 307	2.3 2.3 2.3 2.3
UCFS 308-24 308	1 ¹ / ₂	40	5 ²⁹ / ₃₂ 150	4 ¹⁷ / ₃₂ 115	4 ¹³ / ₃₂ 112	3/4 19	2 ¹ / ₃₂ 17	33/64 13	25/64 10	1 ³ / ₁₆ 30	1 ¹³ / ₁₆ 46	2.0472 52	0.7480 19.0	16	5/8	UC 308-24 308	FS 308	3.4 3.4
UCFS 309-28 309	1 ³ / ₄	45	6 ⁵ / ₁₆ 160	4 ⁵⁹ / ₆₄ 125	4 ⁵⁹ / ₆₄ 125	3/4 19	23/32 18	35/64 14	7/16 11	1 ⁵ / ₁₆ 33	1 ¹⁵ / ₁₆ 49	2.2441 57	0.8661 22	16	5/8	UC 309-28 309	FS 309	4.4 4.4
UCFS 310-31 310	1 ¹⁵ / ₁₆	50	6 ⁷ / ₈ 175	5 ³³ / ₆₄ 140	5 ¹³ / ₆₄ 132	29/32 23	3/4 19	5/8 16	15/32 12	1 ¹³ / ₃₂ 36	2 ⁵ / ₃₂ 55	2.4015 61	0.8861 22	20	3/4	UC 310-31 310	FS 310	5.3 5.3
UCFS 311-32 311	2	55	7 ⁹ / ₃₂ 185	5 ²⁹ / ₃₂ 150	5 ³³ / ₆₄ 140	29/32 23	25/32 20	43/64 17	33/64 13	1 ¹⁷ / ₃₂ 39	2 ⁹ / ₃₂ 58	2.5984 66	0.9842 25	20	3/4	UC 311-32 311	FS 311	6.1 6.1
UCFS 312		60	7 ¹¹ / ₁₆ 195	6 ⁵ / ₁₆ 160	5 ²⁹ / ₃₂ 150	29/32 23	7/8 22	3/4 19	35/64 14	1 ²¹ / ₃₂ 42	2 ¹⁷ / ₃₂ 64	2.7953 71	1.0236 26	20	3/4	UC 312	FS 312	7.4 7.4
UCFS 313-40 313	2 ¹ / ₂	65	8 ³ / ₁₆ 208	6 ⁷ / ₈ 175	6 ¹⁷ / ₃₂ 166	29/32 23	7/8 22	19/32 15	45/64 18	1 ⁹ / ₁₆ 40	2 ³ / ₈ 60	2.9528 75	1.1811 30	20	3/4	UC 313-40 313	FS 313	8.8 8.8
UCFS 314-44 314	2 ³ / ₄	70	8 ²⁹ / ₃₂ 226	7 ⁹ / ₃₂ 185	7 ¹ / ₆₄ 178	63/64 25	1 25	45/64 18	45/64 18	1 ¹¹ / ₁₆ 43	2 ¹⁵ / ₃₂ 63	3.0709 78	1.2992 33	22	7/8	UC 314-44 314	FS 314	11.2 11.2
UCFS 315 315-48	3	75	9 ⁹ / ₃₂ 236	7 ⁷ / ₈ 200	7 ¹ / ₄ 184	63/64 25	1 25	53/64 21	45/64 18	1 ¹⁷ / ₈ 48	2 ²⁵ / ₃₂ 71	3.2283 82	1.2598 32	22	7/8	UC 315 315-48	FS 315	13.7 13.7
UCFS 316		80	9 ²⁷ / ₃₂ 250	8 ⁹ / ₃₂ 210	7 ²³ / ₃₂ 196	1 ⁷ / ₃₂ 31	1 ¹ / ₁₆ 27	45/64 18	25/32 20	1 ⁷ / ₈ 48	2 ³ / ₄ 70	3.3858 86	1.3386 34	27	1	UC 316	FS 316	15.1 15.1
UCFS 317		85	10 ¹ / ₄ 260	8 ²¹ / ₃₂ 220	3 ¹ / ₃₂ 204	1 ⁷ / ₃₂ 31	1 ¹ / ₁₆ 27	15/16 24	25/32 20	2 ¹ / ₈ 54	3 ⁵ / ₃₂ 80	3.7795 96	1.5748 40	27	1	UC 317	FS 317	17.3 17.3
UCFS 318-56 318	3 ¹ / ₂	90	11 ¹ / ₃₂ 280	9 ⁷ / ₁₆ 240	1/2 216	1 ³ / ₈ 35	1 ³ / ₁₆ 30	15/16 24	25/32 20	2 ⁷ / ₃₂ 56	3 ⁵ / ₃₂ 80	3.7795 96	1.5748 40	30	1 ¹ / ₈	UC 318-56 318	FS 318	21.3 21.3
UCFS 319		95	11 ¹³ / ₃₂ 290	9 ²⁷ / ₃₂ 250	8 ³¹ / ₃₂ 228	1 ³ / ₈ 35	1 ³ / ₁₆ 30	1 ¹⁷ / ₃₂ 39	25/32 20	2 ²⁹ / ₃₂ 74	3 ³¹ / ₃₂ 101	4.0551 103	1.6142 41	30	1 ¹ / ₈	UC 319	FS 319	24.5 24.5
UCFS 320 320-64	4	100	12 ⁷ / ₃₂ 310	10 ¹ / ₄ 260	9 ¹⁷ / ₃₂ 242	1 ¹ / ₂ 38	1 ¹ / ₄ 32	1 ¹⁷ / ₃₂ 39	25/32 20	2 ²⁹ / ₃₂ 74	4 ¹ / ₈ 105	4.2519 108	1.6535 42	33	1 ¹ / ₄	UC 320 320-64	FS 320	29.5 29.5
UCFS 321		105	12 ⁷ / ₃₂ 310	10 ¹ / ₄ 260	9 ¹⁷ / ₃₂ 242	1 ¹ / ₂ 38	1 ¹ / ₄ 32	1 ¹⁷ / ₃₂ 39	25/32 20	2 ²⁹ / ₃₂ 74	4 ⁷ / ₃₂ 107	4.4094 112	1.7323 44	33	1 ¹ / ₄	UC 321	FS 321	32.7 32.7
UCFS 322		110	13 ³ / ₈ 340	11 ¹³ / ₁₆ 300	10 ¹⁵ / ₃₂ 266	1 ³⁹ / ₆₄ 41	1 ³ / ₈ 35	1 ³ / ₈ 35	63/64 25	2 ²⁵ / ₃₂ 71	4 ³ / ₁₆ 106	4.6063 117	1.8110 46	36	1 ³ / ₈	UC 322	FS 322	39.0 39.0
UCFS 324		120	14 ⁹ / ₁₆ 370	13 330	1 ²⁷ / ₆₄ 290	1 ³⁹ / ₆₄ 41	1 ⁹ / ₁₆ 40	1 ³ / ₈ 35	1 ³ / ₁₆ 30	3 ⁵ / ₃₂ 80	4 ¹¹ / ₃₂ 110	4.9606 126	2.0079 51	36	1 ³ / ₈	UC 324	FS 324	50.6 50.6
UCFS 326 326-82	5 ¹ / ₈	130	16 ⁵ / ₃₂ 410	14 ³ / ₁₆ 360	12 ¹⁹ / ₃₂ 320	1 ³⁹ / ₆₄ 41	1 ²⁵ / ₃₂ 45	1 ³ / ₈ 35	1 ³ / ₁₆ 30	3 ¹¹ / ₃₂ 85	4 ⁹ / ₁₆ 116	5.3150 135	2.1260 54	36	1 ³ / ₈	UC 326 326-82	FS 326	67.7 67.7
UCFS 328 328-88	5 ¹ / ₂	140	17 ²³ / ₃₂ 450	15 ³ / ₄ 400	13 ²⁵ / ₃₂ 350	1 ³⁹ / ₆₄ 41	2 ⁵ / ₃₂ 55	1 ⁴⁹ / ₆₄ 45	1 ³ / ₁₆ 30	3 ³ / ₄ 95	5 ⁵ / ₃₂ 131	5.7086 145	2.3228 59	36	1 ³ / ₈	UC 328 328-88	FS 328	94.0 94.0

SQUARE FLANGE S TYPE UNITS

UKFS3

(Tapered bore)

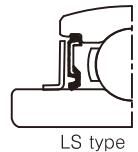
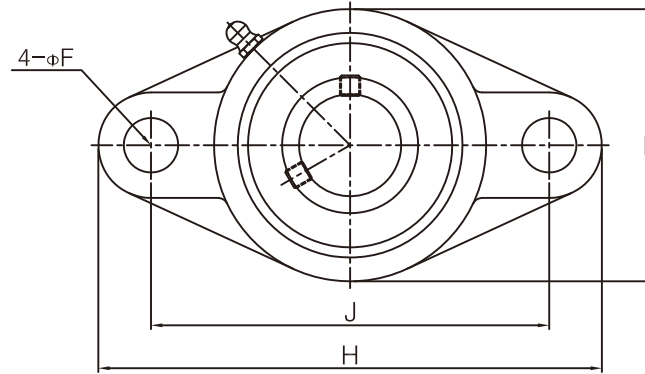
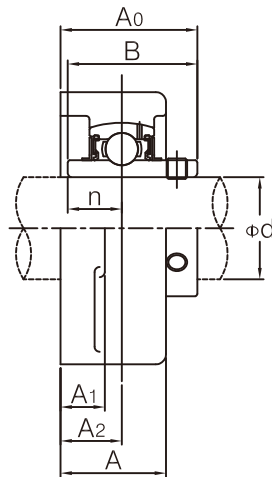


Unit No.	Shaft Dia.		Dimensions (in./mm)										Bolt used		Bearing No.	Housing No.	Adapter used	Weight (kgf)
	d1																	
	(in.)	(mm)	L	H ₃	J	F	A ₁	A ₂	A ₃	A ₄	A ₅	B	(mm)	(in.)				
UKFS 305 305	3/4	20	4 11/32 110	3.1496 80	3 5/32 80	5/8 16	1/2 13	23/64 9	9/32 7	7/8 22	1.2008 30.5	1.3780 35	14	1/2	UK 305	FS 305	HE2305 H 2305	1.4 1.4
UKFS 306 306 306	7/8 1	25	4 29/32 125	3.5433 90	3 47/64 95	5/8 16	19/32 15	25/64 10	5/16 8	15/16 24	1.2992 33	1.4961 38	14	1/2	UK 306	FS 306	HS2306 H 2306 HE2306	1.9 1.9 1.9
UKFS 307 307 307	1 1/8 1 3/16	30	5 5/16 135	3.9370 100	3 15/16 100	3/4 19	5/8 16	7/16 11	23/64 9	1 1/16 27	1.4370 36.5	1.6929 43	16	5/8	UK 307	FS 307	HS2307 H 2307 HA2307	2.3 2.3 2.3
UKFS 308 308 308	1 1/4 1 3/8	35	5 29/32 150	4.5276 115	4 13/32 112	3/4 19	21/32 17	33/64 13	25/64 10	13/16 30	1.5945 40.5	1.8110 46	16	5/8	UK 308	FS 308	HS2308 HS2308 H 2308	3.4 3.4 3.4
UKFS 309 309 309	1 1/2 1 5/8	40	6 5/16 160	4.9213 125	4 59/64 125	3/4 19	23/32 18	35/64 14	7/16 11	15/16 33	1.7323 44	1.9685 50	16	5/8	UK 309	FS 309	HE2309 H 2309 HS2309	4.4 4.4 4.4
UKFS 310 310 310	1 11/16 1 3/4	45	6 7/8 175	5.5119 140	5 13/64 132	29/32 23	3/4 19	5/8 16	15/32 12	1 13/32 36	1.8898 48	2.1654 55	20	3/4	UK 310	FS 310	HA2310 HE2310 H 2310	5.3 5.3 5.3
UKFS 311 311 311	1 7/8 2	50	7 9/32 185	5.9055 150	5 33/64 140	29/32 23	25/32 20	43/64 17	33/64 13	1 17/32 39	1.9882 50.5	2.3228 59	20	3/4	UK 311	FS 311	HS2311 H 2311 HE2311	6.1 6.1 6.1
UKFS 312 312	2 1/8	55	7 11/16 195	6.2992 160	5 29/32 150	29/32 23	7/8 22	3/4 19	35/64 14	1 21/32 42	2.1850 55.5	2.4409 62	20	3/4	UK 312	FS 312	HS2312 H 2312	7.4 7.4
UKFS 313 313 313	2 1/4 2 3/8	60	8 3/16 208	6.8898 175	6 17/32 166	29/32 23	7/8 22	19/32 15	45/64 18	19/16 40	2.1063 53.5	2.5591 65	20	3/4	UK 313	FS 313	HE2313 H 2313 HS2313	8.8 8.8 8.8
UKFS 315 315	2 1/2	65	9 9/32 236	7.8740 200	7 1/4 184	63/64 25	1 25	53/64 21	45/64 18	17/8 48	2.5 63.5	2.8740 73	22	7/8	UK 315	FS 315	HE2315 H 2315	13.7 13.7
UKFS 316 316	2 3/4	70	9 27/32 250	8.2677 210	7 23/32 196	17/32 31	1 1/16 27	45/64 18	25/32 20	17/8 48	2.4606 62.5	3.0709 78	27	1	UK 316	FS 316	HE2316 H 2316	15.1 15.1
UKFS 317 317	3	75	10 1/4 260	8.6614 220	8 1/32 204	17/32 31	1 1/16 27	15/16 24	25/32 20	2 1/8 54	2.8346 72	3.2283 82	27	1	UK 317	FS 317	H 2317 HE2317	17.3 17.3
UKFS 318		80	11 1/32 280	9.4488 240	8 1/2 216	13/8 35	13/16 30	15/16 24	25/32 20	2 1/32 56	2.8346 72	3.3858 86	30	1 1/8	UK 318	FS 318	H 2318	21.3 21.3
UKFS 319 319	3 1/4	85	11 13/32 290	9.8425 250	8 31/32 228	13/8 35	13/16 30	1 17/32 39	25/32 20	2 29/32 74	3.5827 91	3.5433 90	30	1 1/8	UK 319	FS 319	HE2319 H 2319	24.5 24.5
UKFS 320 320	3 1/2	90	12 7/32 310	10.2362 260	9 17/32 242	1 1/2 38	1 1/4 32	1 17/32 39	25/32 20	2 29/32 74	3.6614 93	3.8189 97	33	1 1/4	UK 320	FS 320	HE2320 H 2320	29.5 29.5
UKFS 322 322	4	100	13 3/8 340	11.8110 300	10 15/32 266	1 39/64 41	1 3/8 35	1 3/8 35	63/64 25	2 25/32 71	3.7402 95	4.1339 105	36	1 3/8	UK 322	FS 322	H 2322 HE2322	39 39
UKFS 324 324	4 7/16	110	14 9/16 370	12.9921 330	11 27/64 290	1 39/64 41	19/16 40	1 3/8 35	13/16 30	35/32 80	3.9567 100.5	4.4094 112	36	1 3/8	UK 324	FS 324	H 2324 HA2324	50.6 50.6
UKFS 326 326	4 1/2	115	16 5/32 410	14.1732 360	12 19/32 320	1 39/64 41	1 25/32 45	1 3/8 35	13/16 30	3 11/32 85	3.9961 101.5	4.7638 121	36	1 3/8	UK 326	FS 326	HE2326 H 2326	67.7 67.7
UKFS 328 328	4 15/16	125	17 23/32 450	15.7480 400	13 25/32 350	1 39/64 41	25/32 55	1 49/64 45	13/16 30	33/4 95	4.6260 117.5	5.1575 131	36	1 3/8	UK 328	FS 328	HE2328 H 2328	24.5 24.5

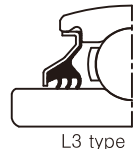
OVAL FLANGE TYPE UNITS

UCFL2

(Cylindrical bore)



LS type



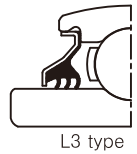
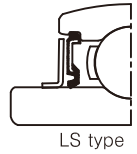
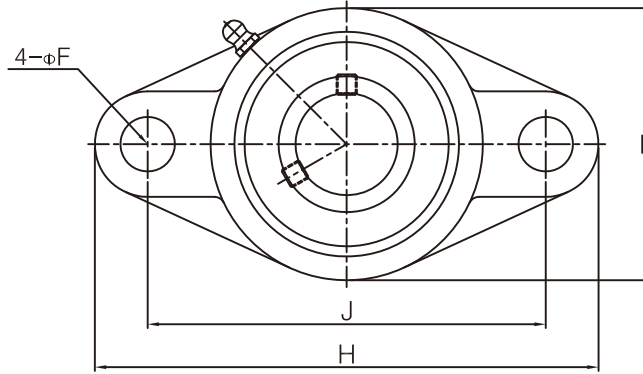
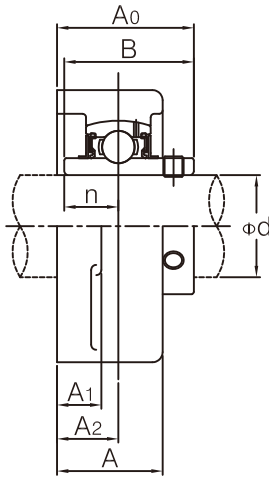
L3 type

Unit No.	Shaft Dia.		Dimensions									Bolt used		Bearing No.	Housing No.	Weight (kgf)	
	d	d	H	L	A	J	F	A ₁	A ₂	A ₀	B	n	Bolt used				
													(mm)				(in.)
UCFL 201	1/2	12	357/64	21/4	1	3	29/64	7/16	19/32	15/16	1.2205	0.5000	10	3/8	UC 201	FL 203	0.50
UCFL 201-8																	0.50
UCFL 202																	0.48
UCFL 202-10	5/8	15	99	57	25.5	76.2	11.5	11	15	33.3	31.0	12.7	10	3/8	UC 202	FL 203	0.48
UCFL 203																	0.47
UCFL 203-11																	0.47
UCFL 204-12	11/16	17	113	60	25.5	90	12	11	15	33.3	31.0	12.7	10	3/8	UC 204	FL 204	0.45
UCFL 204																	0.45
UCFL 205-13																	3/4
UCFL 205-14	0.64																
UCFL 205-15	0.64																
UCFL 205	13/16	25	130	68	27	99	16	13	16	35.7	34.1	14.3	14	1/2	UC 205	FL 205	0.64
UCFL 205-15																	0.64
UCFL 205																	0.64
UCFL 205-16	1	25	130	68	27	99	16	13	16	35.7	34.1	14.3	14	1/2	UC 205-16	FL 205	0.64
UCFL 205-16																	0.64
UCFL 206																	11/16
UCFL 206-18	0.93																
UCFL 206	0.93																
UCFL 206-19	13/16	30	148	80	31	117	16	13	18	40.2	38.1	15.9	14	1/2	UC 206	FL 206	0.93
UCFL 206-19																	0.93
UCFL 206-20																	0.93
UCFL 207-20	11/4	35	161	90	34	130	16	15	19	44.4	42.9	17.5	14	1/2	UC 207	FL 207	1.2
UCFL 207-21																	1.2
UCFL 207-22																	1.2
UCFL 207	15/16	35	161	90	34	130	16	15	19	44.4	42.9	17.5	14	1/2	UC 207	FL 207	1.2
UCFL 207-22																	1.2
UCFL 207																	1.2
UCFL 207-23	17/16	35	161	90	34	130	16	15	19	44.4	42.9	17.5	14	1/2	UC 207	FL 207	1.2
UCFL 207-23																	1.2
UCFL 207																	1.2
UCFL 208-24	11/2	40	175	100	36	144	16	15	21	51.2	49.2	19.0	14	1/2	UC 208	FL 208	1.6
UCFL 208-25																	1.6
UCFL 208																	1.6
UCFL 209-26	15/8	45	188	108	38	148	19	16	22	52.2	49.2	19.0	16	5/8	UC 209	FL 209	1.9
UCFL 209-27																	1.9
UCFL 209-28																	1.9
UCFL 209	11/16	45	188	108	38	148	19	16	22	52.2	49.2	19.0	16	5/8	UC 209	FL 209	1.9
UCFL 209-28																	1.9
UCFL 209																	1.9
UCFL 210-29	113/16	50	197	115	40	157	19	16	22	54.6	51.6	19.0	16	5/8	UC 210	FL 210	2.2
UCFL 210-30																	2.2
UCFL 210-31																	2.2
UCFL 210	115/16	50	197	115	40	157	19	16	22	54.6	51.6	19.0	16	5/8	UC 210	FL 210	2.2
UCFL 210-31																	2.2
UCFL 210																	2.2
UCFL 210-32	2	50	197	115	40	157	19	16	22	54.6	51.6	19.0	16	5/8	UC 210	FL 210	2.2
UCFL 210-32																	2.2
UCFL 210																	2.2
UCFL 211-31	115/16	55	224	130	43	184	19	18	25	58.4	55.6	22.2	16	5/8	UC 211	FL 211	3.3
UCFL 211-32																	3.3
UCFL 211-34																	3.3
UCFL 211	21/8	55	224	130	43	184	19	18	25	58.4	55.6	22.2	16	5/8	UC 211	FL 211	3.3
UCFL 211-34																	3.3
UCFL 211																	3.3
UCFL 211-35	23/16	55	224	130	43	184	19	18	25	58.4	55.6	22.2	16	5/8	UC 211	FL 211	3.3
UCFL 211-35																	3.3
UCFL 211																	3.3
UCFL 212-36	21/4	60	250	140	48	202	23	18	29	68.7	65.1	25.4	20	3/4	UC 212	FL 212	4.2
UCFL 212																	4.2
UCFL 212-37																	4.2
UCFL 212-38	23/8	60	250	140	48	202	23	18	29	68.7	65.1	25.4	20	3/4	UC 212	FL 212	4.2
UCFL 212-38																	4.2
UCFL 212-39																	4.2
UCFL 212-39	27/16	60	250	140	48	202	23	18	29	68.7	65.1	25.4	20	3/4	UC 212	FL 212	4.2
UCFL 212-39																	4.2
UCFL 212																	4.2
UCFL 213-40	21/2	65	258	155	50	210	23	23	7/8	30	69.7	65.1	20	3/4	UC 213	FL 213	5.1
UCFL 213																	5.1
UCFL 213-40																	5.1
UCFL 213-40	21/2	65	258	155	50	210	23	23	7/8	30	69.7	65.1	20	3/4	UC 213	FL 213	5.1
UCFL 213																	5.1
UCFL 213-40																	5.1
UCFL 214-43	211/16	70	265	160	54	216	23	22	31	75.4	74.6	30.2	20	3/4	UC 214	FL 214	5.7
UCFL 214-43																	5.7
UCFL 214-44																	5.7
UCFL 214	23/4	70	265	160	54	216	23	22	31	75.4	74.6	30.2	20	3/4	UC 214	FL 214	5.7
UCFL 214-44																	5.7
UCFL 214																	5.7
UCFL 215-46	27/8	75	275	165	56	225	23	22	34	78.5	77.8	33.3	20	3/4	UC 215	FL 215	6.4
UCFL 215-46																	6.4
UCFL 215-47																	6.4
UCFL 215	215/16	75	275	165	56	225	23	22	34	78.5	77.8	33.3	20	3/4	UC 215	FL 215	6.4
UCFL 215-47																	6.4
UCFL 215																	6.4
UCFL 215-48	3	75	275	165	56	225	23	22	34	78.5	77.8	33.3	20	3/4	UC 215	FL 215	6.4
UCFL 215-48																	6.4
UCFL 215																	6.4
UCFL 216	31/4	80	290	180	58	233	25	22	34	83.3	82.6	33.3	22	7/8	UC 216	FL 216	7.8
UCFL 216																	7.8
UCFL 216																	7.8
UCFL 217-52	31/4	85	305	190	63	248	25	24	36	87.6	85.7	34.1	22	7/8	UC 217	FL 217	9.8
UCFL 217-52																	9.8
UCFL 217																	9.8
UCFL 218-56	31/2	90	320	205	68	265	25	24	40	96.3	96.0	39.7	22	7/8	UC 218	FL 218	12.3
UCFL 218-56																	12.3
UCFL 218																	12.3

OVAL FLANGE TYPE UNITS

UCFLX

(Cylindrical bore)

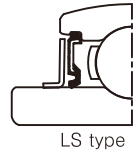
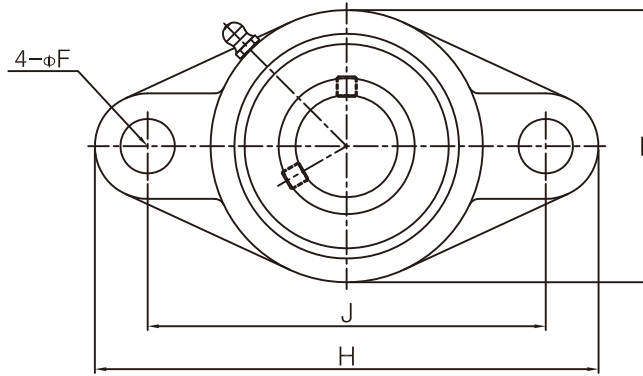
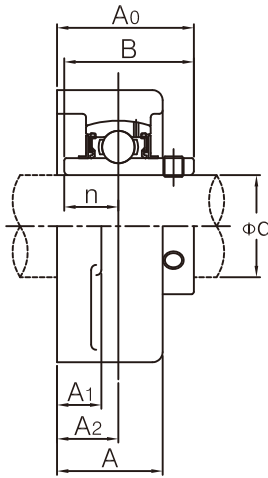


Unit No.	Shaft Dia.		Dimensions (in./mm)										Bolt used		Bearing No.	Housing No.	Weight (kgf)
	d		H	L	A	J	F	A ₁	A ₂	A ₀	B	n	(mm)	(in.)			
	(in.)	(mm)															
UCFL X05-13 X05-14 X05-15 X05 X05-16	13/16 7/8 15/16 1	25	59/16 141	39/32 83	13/16 30	439/64 117	15/32 12	1/2 13	45/64 18	119/32 40.2	1.5000 38.1	0.6260 15.9	10	3/8	UC X05-13 X05-14 X05-15 X05 X05-16	FL X05	1.1 1.1 1.1 1.1 1.1
UCFL X06-17 X06-18 X06 X06-19 X06-20	11/16 11/8 11/16 11/8	30	65/32 156	33/4 95	111/32 34	51/8 130	5/8 16	19/32 15	3/4 19	13/4 44.4	1.6890 42.9	0.6890 17.5	14	1/2	UC X06-17 X06-18 X06 X06-19 X06-20	FL X06	1.5 1.5 1.5 1.5 1.5
UCFL X07-20 X07-21 X07-22 X07 X07-23	11/4 15/16 13/8 17/16	35	623/32 171	41/8 105	11/2 38	543/64 144	5/8 16	5/8 16	53/64 21	21/32 51.2	1.9370 49.2	0.7480 19.0	14	1/2	UC X07-20 X07-21 X07-22 X07 X07-23	FL X07	1.9 1.9 1.9 1.9 1.9
UCFL X08-24 X08-25 X08	11/2 19/16	40	71/16 179	43/8 111	19/16 40	553/64 148	5/8 16	5/8 16	55/64 22	21/16 52.2	1.9370 49.2	0.7480 19.0	14	1/2	UC X08-24 X08-25 X08	FL X08	2.1 2.1 2.1
UCFL X09-26 X09-27 X09-28 X09	15/8 111/16 13/4	45	77/16 189	49/16 116	19/16 40	63/16 157	5/8 16	5/8 16	29/32 23	23/16 55.6	2.0315 51.6	0.7480 19.0	14	1/2	UC X09-26 X09-27 X09-28 X09	FL X09	2.4 2.4 2.4 2.4
UCFL X10-30 X10-31 X10 X10-32	17/8 115/16 2	50	81/2 216	51/4 133	123/32 44	71/4 184	3/4 19	45/64 18	11/32 26	211/32 59.4	2.1890 55.6	0.8740 22.2	16	5/8	UC X10-30 X10-31 X10 X10-32	FL X10	3.8 3.8 3.8 3.8

OVAL FLANGE TYPE UNITS

UCFL3

(Cylindrical bore)

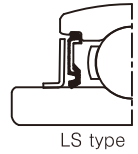
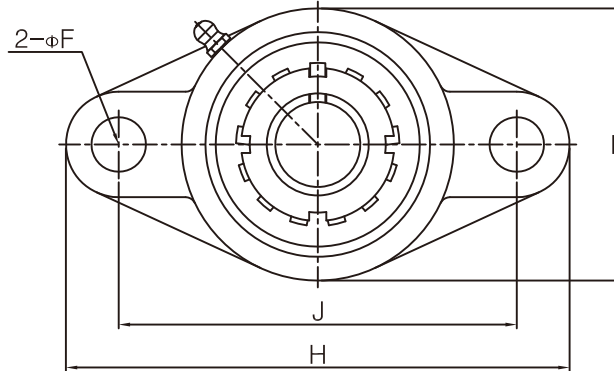
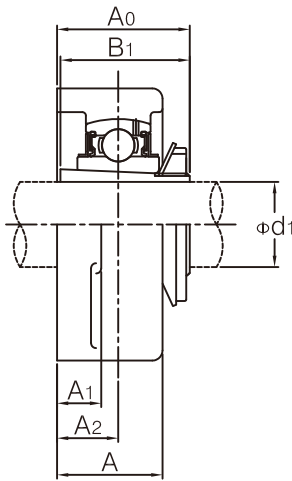


Unit No.	Shaft Dia.		Dimensions (in./mm)										Bolt used		Bearing No.	Housing No.	Weight (kgf)
	d		H	L	A	J	F	A ₁	A ₂	A ₀	B	n					
	(in.)	(mm)											(mm)	(in.)			
UCFL 305 305-16	1	25	5 ²⁹ / ₃₂ 150	3 ⁵ / ₃₂ 80	1 ⁵ / ₃₂ 29	4 ²⁹ / ₆₄ 113	3/4 19	1/2 13	5/8 16	1 ¹⁷ / ₃₂ 39	1.4961 38	0.5906 15	16	5/8	UC 305 305-16	FL 305	1.1 1.1
UCFL 306-18 306	1 ¹ / ₈	30	7 ³ / ₃₂ 180	3 ¹⁷ / ₃₂ 90	1 ¹ / ₄ 32	5 ⁹ / ₃₂ 134	2 ⁹ / ₃₂ 23	1 ⁹ / ₃₂ 15	4 ⁵ / ₆₄ 18	1 ²³ / ₃₂ 44	1.6929 43	0.6693 17	20	3/4	UC 306-18 306	FL 306	1.5 1.5
UCFL 307-20 307-22 307 307-23	1 ¹ / ₄ 1 ³ / ₈ 1 ⁷ / ₁₆	35	7 ⁹ / ₃₂ 185	3 ¹⁵ / ₁₆ 100	1 ¹³ / ₃₂ 36	5 ³⁵ / ₆₄ 141	2 ⁹ / ₃₂ 23	5/8 16	2 ⁵ / ₃₂ 20	1 ¹⁵ / ₁₆ 49	1.8897 48	0.7480 19	20	3/4	UC 307-20 307-22 307 307-23	FL 307	1.8 1.8 1.8 1.8
UCFL 308-24 308	1 ¹ / ₂	40	7 ⁷ / ₈ 200	4 ¹³ / ₃₂ 112	1 ⁹ / ₁₆ 40	6 ⁷ / ₃₂ 158	2 ⁹ / ₃₂ 23	2 ¹ / ₃₂ 17	2 ⁹ / ₃₂ 23	2 ⁷ / ₃₂ 56	2.0472 52	0.7480 19.0	20	3/4	UC 308-24 308	FL 308	2.5 2.5
UCFL 309-28 309	1 ³ / ₄	45	9 ¹ / ₁₆ 230	4 ²⁹ / ₃₂ 125	1 ²³ / ₃₂ 44	6 ³¹ / ₃₂ 177	6 ³ / ₆₄ 25	2 ³ / ₃₂ 18	6 ³ / ₆₄ 25	2 ³ / ₈ 60	2.2441 57	0.8661 22	22	7/8	UC 309-28 309	FL 309	3.5 3.5
UCFL 310-31 310	1 ¹⁵ / ₁₆	50	9 ⁷ / ₁₆ 240	5 ¹ / ₂ 140	1 ⁷ / ₈ 48	7 ²³ / ₆₄ 187	6 ³ / ₆₄ 25	3/4 19	1 ⁷ / ₆₄ 28	2 ⁵ / ₈ 67	2.4015 61	0.8861 22	22	7/8	UC 310-31 310	FL 310	4.4 4.4
UCFL 311-32 311	2	55	9 ²⁷ / ₃₂ 250	5 ²⁹ / ₃₂ 150	2 ¹ / ₁₆ 52	7 ⁶¹ / ₆₄ 198	6 ³ / ₆₄ 25	2 ⁵ / ₃₂ 20	1 ³ / ₁₆ 30	2 ²⁵ / ₃₂ 71	2.5984 66	0.9842 25	22	7/8	UC 311-32 311	FL 311	5.3 5.3
UCFL 312		60	10 ⁵ / ₈ 270	6 ⁵ / ₁₆ 160	2 ⁷ / ₃₂ 56	8 ¹¹ / ₃₂ 212	1 ⁷ / ₃₂ 31	7/8 22	1 ¹⁹ / ₆₄ 33	3 ¹ / ₁₆ 78	2.7953 71	1.0236 26	27	1	UC 312	FL 312	6.5
UCFL 313-40 313	2 ¹ / ₂	65	11 ⁵ / ₈ 295	6 ⁷ / ₈ 175	2 ⁹ / ₃₂ 58	9 ²⁹ / ₆₄ 240	1 ⁷ / ₃₂ 31	1 25	1 ¹⁹ / ₆₄ 33	3 ¹ / ₁₆ 78	2.9528 75	1.1811 30	27	1	UC 313-40 313	FL 313	8.5 8.5
UCFL 314-44 314	2 ³ / ₄	70	12 ¹³ / ₃₂ 315	7 ⁹ / ₃₂ 185	2 ¹³ / ₃₂ 61	9 ²⁷ / ₃₂ 250	1 ³ / ₈ 35	1 ³ / ₃₂ 28	1 ²⁷ / ₆₄ 36	3 ³ / ₁₆ 81	3.0709 78	1.2992 33	30	1 ¹ / ₈	UC 314-44 314	FL 314	9.7 9.7
UCFL 315 315-48	3	75	12 ¹⁹ / ₃₂ 320	7 ¹¹ / ₁₆ 195	2 ¹⁹ / ₃₂ 66	10 ¹⁵ / ₆₄ 260	1 ³ / ₈ 35	1 ³ / ₁₆ 30	1 ¹⁷ / ₃₂ 39	3 ¹ / ₂ 89	3.2283 82	1.2598 32	30	1 ¹ / ₈	UC 315 315-48	FL 315	11.3 11.3
UCFL 316		80	13 ³¹ / ₃₂ 355	8 ⁹ / ₃₂ 210	2 ¹¹ / ₁₆ 68	11 ⁷ / ₃₂ 285	1 ¹ / ₂ 38	1 ¹ / ₄ 32	1 ¹ / ₂ 38	3 ¹⁷ / ₃₂ 90	3.3858 86	1.3386 34	33	1 ¹ / ₄	UC 316	FL 316	14.4
UCFL 317		85	14 ⁹ / ₁₆ 370	8 ²¹ / ₃₂ 220	2 ²⁹ / ₃₂ 74	11 ¹³ / ₁₆ 300	1 ¹ / ₂ 38	1 ¹ / ₄ 32	1 ⁴⁷ / ₆₄ 44	3 ¹⁵ / ₁₆ 100	3.7795 96	1.5748 40	33	1 ¹ / ₄	UC 317	FL 317	16.0
UCFL 318-56 318	3 ¹ / ₂	90	15 ⁵ / ₃₂ 385	9 ¹ / ₄ 235	3 76	12 ¹³ / ₃₂ 315	1 ¹ / ₂ 38	1 ¹³ / ₃₂ 36	1 ⁴⁷ / ₆₄ 44	3 ¹⁵ / ₁₆ 100	3.7795 96	1.5748 40	33	1 ¹ / ₄	UC 318-56 318	FL 318	19.0 19.0
UCFL 319		95	15 ¹⁵ / ₁₆ 405	9 ²⁷ / ₃₂ 250	3 ¹¹ / ₁₆ 94	13 330	1 ³⁹ / ₆₄ 41	1 ⁹ / ₁₆ 40	2 ²¹ / ₆₄ 59	4 ³ / ₄ 121	4.0551 103	1.6142 41	36	1 ³ / ₈	UC 319	FL 319	29.4
UCFL 320 320-64	4	100	17 ⁵ / ₁₆ 440	10 ⁵ / ₈ 270	3 ¹¹ / ₁₆ 94	14 ¹¹ / ₆₄ 360	1 ⁴⁷ / ₆₄ 44	1 ⁹ / ₁₆ 40	2 ²¹ / ₆₄ 59	4 ²⁹ / ₃₂ 125	4.2519 108	1.6535 42	39	1 ¹ / ₂	UC 320 320-64	FL 320	29.4 29.4
UCFL 321		105	17 ⁵ / ₁₆ 440	10 ⁵ / ₈ 270	3 ¹¹ / ₁₆ 94	14 ³ / ₃₂ 360	1 ⁴⁷ / ₆₄ 44	1 ⁹ / ₁₆ 40	2 ⁵ / ₁₆ 59	5 127	4.4094 112	1.7323 44	39	1 ¹ / ₂	UC 321	FL 321	30.2
UCFL 322		110	18 ¹ / ₂ 470	11 ¹³ / ₁₆ 300	3 ²⁵ / ₃₂ 96	15 ²³ / ₆₄ 390	1 ⁴⁷ / ₆₄ 44	1 ²¹ / ₃₂ 42	2 ²³ / ₆₄ 60	5 ⁵ / ₃₂ 131	4.6063 117	1.8110 46	39	1 ¹ / ₂	UC 322	FL 322	36.2
UCFL 324		120	20 ⁵ / ₃₂ 520	13 330	4 ¹ / ₃₂ 110	16 ⁵⁹ / ₆₄ 430	1 ²⁷ / ₃₂ 47	1 ⁷ / ₈ 48	2 ⁹ / ₁₆ 65	5 ¹ / ₂ 140	4.9606 126	2.0079 51	42	1 ⁵ / ₈	UC 324	FL 324	51.6
UCFL 326 326-82	5 ¹ / ₈	130	21 ¹ / ₃₂ 550	14 ³ / ₁₆ 360	4 ¹⁷ / ₃₂ 115	18 ⁷ / ₆₄ 460	1 ²⁷ / ₃₂ 47	1 ³¹ / ₃₂ 50	2 ⁹ / ₁₆ 65	5 ³ / ₄ 146	5.3150 135	2.1260 54	42	1 ⁵ / ₈	UC 326 326-82	FL 326	61.6 61.6
UCFL 328 328-88	5 ¹ / ₂	140	23 ⁵ / ₈ 600	15 ³ / ₄ 400	4 ²⁹ / ₃₂ 125	19 ¹¹ / ₁₆ 500	2 51	2 ³ / ₈ 60	2 ⁶¹ / ₆₄ 75	6 ¹¹ / ₃₂ 161	5.7086 145	2.3228 59	45	1 ³ / ₄	UC 328 328-88	FL 328	68.4 68.4

OVAL FLANGE TYPE UNITS

UKFL2

(Tapered bore)

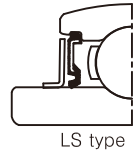
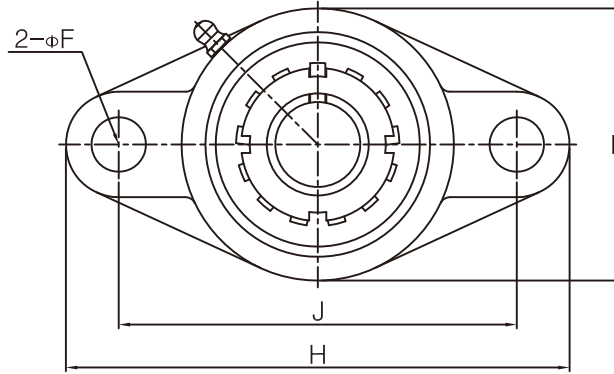
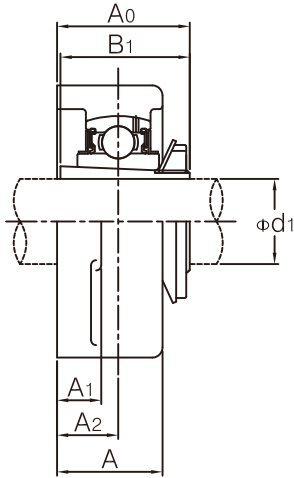


Unit No.	Shaft Dia.		Dimensions (in./mm)										Bolt used		Bearing No.	Housing No.	Adapter used	Weight (kgf)
	d1 (in.)	d1 (mm)	H	L	A	J	F	A1	A2	A0	B1	(mm)	(in.)					
UKFL 205 205	3/4	20	5 1/8 130	2 11/16 68	1 1/16 27	3 57/64 99	5/8 16	1/2 13	5/8 16	1 3/8 34.7	1 3/8 35	14	1/2	UK 205	FL 205	HE2305 H 2305	0.68 0.68	
UKFL 206 206 206 206	7/8 15/16 1	25	5 13/16 148	3 5/32 80	1 7/32 31	4 39/64 117	5/8 16	1/2 13	45/64 18	1 1/2 37.7	1 1/2 38	14	1/2	UK 206	FL 206	HS2306 HA2306 H 2306 HE2306	0.97 0.97 0.97 0.97	
UKFL 207 207 207	1 1/8 13/16	30	6 11/32 161	3 17/32 90	1 11/32 34	5 1/8 130	5/8 16	19/32 15	3/4 19	1 5/8 41.2	1 11/16 43	14	1/2	UK 207	FL 207	HS2307 H 2307 HA2307	1.3 1.3 1.3	
UKFL 208 208 208	1 1/4 1 3/8	35	6 7/8 175	3 15/16 100	1 13/32 36	5 43/64 144	5/8 16	19/32 15	53/64 21	1 3/4 44.7	1 13/16 46	14	1/2	UK 208	FL 208	HE2308 HS2308 H 2308	1.6 1.6 1.6	
UKFL 209 209 209 209	1 7/16 1 1/2 1 5/8	40	7 13/32 188	4 1/4 108	1 1/2 38	5 53/64 148	3/4 19	5/8 16	55/64 22	1 7/8 47.2	1 31/32 50	16	5/8	UK 209	FL 209	HA2309 HE2309 H 2309 HS2309	2.0 2.0 2.0 2.0	
UKFL 210 210 210	1 11/16 1 3/4	45	7 3/4 197	4 17/32 115	1 9/16 40	6 3/16 157	3/4 19	5/8 16	55/64 22	1 29/32 48.7	2 5/32 55	16	5/8	UK 210	FL 210	HA2310 HE2310 H 2310	2.3 2.3 2.3	
UKFL 211 211 211 211	1 7/8 1 15/16 2	50	8 13/16 224	5 1/8 130	1 11/16 43	7 1/4 184	3/4 19	23/32 18	63/64 25	2 1/16 52.7	2 5/16 59	16	5/8	UK 211	FL 211	HS2311 HA2311 H 2311 HE2311	3.3 3.3 3.3 3.3	
UKFL 212 212	2 1/8	55	9 27/32 250	5 1/2 140	1 7/8 48	7 61/64 202	29/32 23	23/32 18	1 9/64 29	2 9/32 58	2 7/16 62	20	3/4	UK 212	FL 212	HS2312 H 2312	4.1 4.1	
UKFL 213 213 213 213	2 3/16 2 1/4 2 3/8	60	10 5/32 258	6 3/32 155	1 31/32 50	8 17/64 210	29/32 23	7/8 22	1 3/16 30	2 13/32 61.5	2 9/16 65	20	3/4	UK 213	FL 213	HA2313 HE2313 H 2313 HS2313	5.0 5.0 5.0 5.0	
UKFL 215 215 215	2 7/16 2 1/2	65	10 13/16 275	6 1/2 165	2 7/32 56	8 55/64 225	29/32 23	7/8 22	1 11/32 34	2 11/16 68.5	2 7/8 73	20	3/4	UK 215	FL 215	HA2315 HE2315 H 2315	6.6 6.6 6.6	
UKFL 216 216 216	2 11/16 2 3/4	70	11 13/32 290	7 3/32 180	2 9/32 58	9 11/64 233	63/64 25	7/8 22	1 11/32 34	2 13/16 71.8	3 1/16 78	22	7/8	UK 216	FL 216	HA2316 HE2316 H 2316	8.1 8.1 8.1	
UKFL 217 217 217	2 15/16 3	75	12 305	7 15/32 190	2 15/32 63	9 49/64 248	63/64 25	15/16 24	1 27/64 36	2 31/32 75.8	3 7/32 82	22	7/8	UK 217	FL 217	HA2317 H 2317 HE2317	9.9 9.9 9.9	
UKFL 218		80	10 19/32 320	8 1/16 205	2 11/16 68	10 7/16 265	63/64 25	15/16 24	1 37/64 40	3 7/32 81.8	3 3/8 86	22	7/8	UK 218	FL 218	H 2318	12.2	

OVAL FLANGE TYPE UNITS

UKFLX

(Tapered bore)

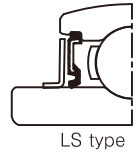
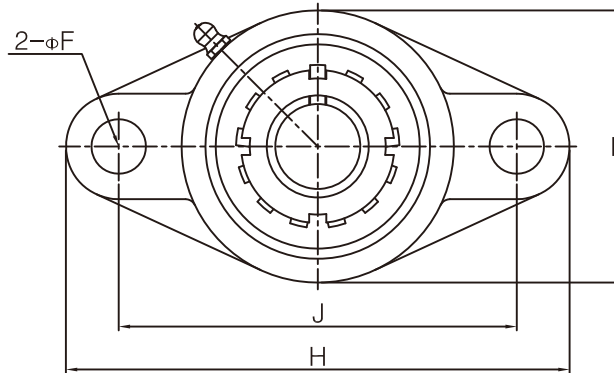
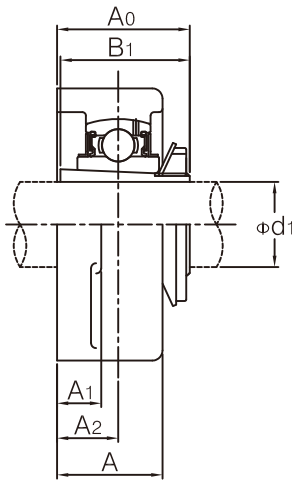


Unit No.	Shaft Dia.		Dimensions (in./mm)										Bolt used		Bearing No.	Housing No.	Adapter used	Weight (kgf)
	d1		H	L	A	J	F	A ₁	A ₂	A ₀	B ₁	(mm)	(in.)					
	(in.)	(mm)																
UKFL X05 X05	3/4	20	59/16 141	39/32 83	13/16 30	439/64 117	15/32 12	1/2 13	45/64 18	1 1/2 37.7	13/8 35	10	3/8	UK X05	FL X05	HE2305 H 2305	1.0 1.0	
UKFL X06 X06 X06 X06	7/8 15/16 1	25	65/32 156	33/4 95	1 11/32 34	5 1/8 130	5/8 16	19/32 15	3/4 19	1 19/32 40.2	1 1/2 38	14	1/2	UK X06	FL X06	HS2306 HA2306 H 2306 HE2306	1.5 1.5 1.5 1.5	
UKFL X07 X07 X07	1 1/8 13/16	30	623/32 171	4 1/8 105	1 1/2 38	5 43/64 144	5/8 16	5/8 16	53/64 21	1 23/32 43.7	2 11/16 43	14	1/2	UK X07	FL X07	HS2307 H 2307 HA2307	1.8 1.8 1.8	
UKFL X08 X08 X08	1 1/4 13/8	35	7 1/16 179	4 3/8 111	1 9/16 40	5 53/64 148	5/8 16	5/8 16	55/64 22	1 13/16 46.2	1 13/16 46	14	1/2	UK X08	FL X08	HE2308 HS2308 H 2308	2.1 2.1 2.1	
UKFL X09 X09 X09 X09	1 7/16 1 1/2 15/8	40	7 7/16 189	4 9/16 116	1 9/16 40	6 3/16 157	5/8 16	5/8 16	29/32 23	1 29/32 48.7	1 31/32 50	14	1/2	UK X09	FL X09	HA2309 HE2309 H 2309 HS2309	2.5 2.5 2.5 2.5	
UKFL X10 X10 X10	1 11/16 1 3/4	45	8 1/2 216	5 1/4 133	1 23/32 44	7 1/4 184	3/4 19	45/64 18	1 1/32 26	2 1/8 53.7	2 5/32 55	16	5/8	UK X10	FL X10	HA2310 HE2310 H 2310	3.7 3.7 3.7	

OVAL FLANGE TYPE UNITS

UKFL3

(Tapered bore)

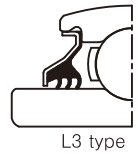
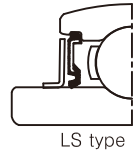
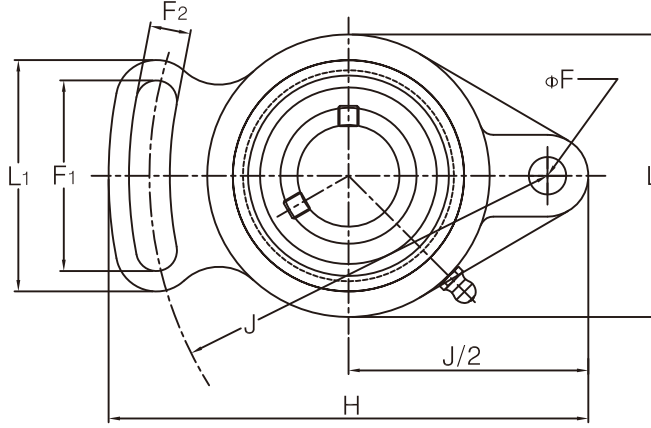
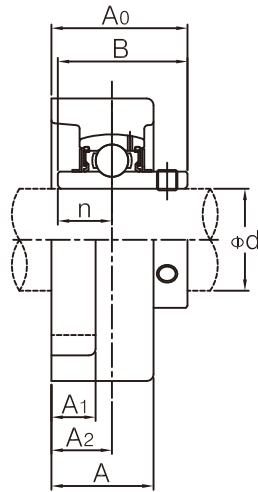


Unit No.	Shaft Dia.		Dimensions										Bolt used		Bearing No.	Housing No.	Adapter used	Weight (kgf)
	d1		H	L	A	J	F	A1	A2	A0	B1	(mm)	(in.)					
	(in.)	(mm)																
UKFL 305 305	3/4	20	5 ²⁹ / ₃₂ 150	3 ⁵ / ₃₂ 80	1 ⁵ / ₃₂ 29	4 ²⁹ / ₆₄ 113	3/4 19	1/2 13	5/8 16	1.4764 37.5	1.3780 35	16	5/8	UK 305	FL 305	HE2305 H 2305	1.1 1.1	
UKFL 306 306 306	7/8 1	25	7 ³ / ₃₂ 180	3 ¹⁷ / ₃₂ 90	1 ¹ / ₄ 32	5 ⁹ / ₃₂ 134	29/32 23	19/32 15	45/64 18	1.6142 41	1.4961 38	20	3/4	UK 306	FL 306	HS2306 H 2306 HE2306	1.5 1.5 1.5	
UKFL 307 307 307	1 ¹ / ₈ 1 ³ / ₁₆	30	7 ⁹ / ₃₂ 185	3 ¹⁵ / ₁₆ 100	1 ¹³ / ₃₂ 36	5 ³⁵ / ₆₄ 141	29/32 23	5/8 16	25/32 20	1.7913 45.5	1.6929 43	20	3/4	UK 307	FL 307	HS2307 H 2307 HA2307	1.8 1.8 1.8	
UKFL 308 308 308	1 ¹ / ₄ 1 ³ / ₈	35	7 ⁷ / ₈ 200	4 ¹³ / ₃₂ 112	1 ⁹ / ₁₆ 40	6 ⁷ / ₃₂ 158	29/32 23	2 ¹ / ₃₂ 17	29/32 23	1.9882 50.5	1.8110 46	20	3/4	UK 308	FL 308	HE2308 HS2308 H 2308	2.5 2.5 2.5	
UKFL 309 309 309	1 ¹ / ₂ 1 ⁵ / ₈	40	9 ¹ / ₁₆ 230	4 ²⁹ / ₃₂ 125	1 ²³ / ₃₂ 44	6 ³¹ / ₃₂ 177	63/64 25	23/24 18	63/64 25	2.1654 55	1.9685 50	22	7/8	UK 309	FL 309	HE2309 H 2309 HS2309	3.5 3.5 3.5	
UKFL 310 310 310	1 ¹¹ / ₁₆ 1 ³ / ₄	45	9 ⁷ / ₁₆ 240	5 ¹ / ₂ 140	1 ⁷ / ₈ 48	7 ²³ / ₆₄ 187	63/64 25	3/4 19	1 ⁷ / ₆₄ 28	2.3622 60	2.1654 55	22	7/8	UK 310	FL 310	HA2310 HE2310 H 2310	4.4 4.4 4.4	
UKFL 311 311 311	1 ⁷ / ₈ 2	50	9 ²⁷ / ₃₂ 250	5 ²⁹ / ₃₂ 150	2 ¹ / ₁₆ 52	7 ⁵¹ / ₆₄ 198	63/64 25	25/32 20	1 ³ / ₁₆ 30	2.5000 63.5	2.3228 59	22	7/8	UK 311	FL 311	HS2311 H 2311 HE2311	5.3 5.3 5.3	
UKFL 312 312	2 ¹ / ₈	55	10 ⁵ / ₈ 270	6 ⁵ / ₁₆ 160	2 ⁷ / ₃₂ 56	8 ¹¹ / ₃₂ 212	1 ⁷ / ₃₂ 31	7/8 22	1 ¹⁹ / ₆₄ 33	2.7362 69.5	2.4409 62	27	1	UK 312	FL 312	HS2312 H 2312	6.5 6.5	
UKFL 313 313 313	2 ¹ / ₄ 2 ³ / ₈	60	11 ⁵ / ₈ 295	6 ⁷ / ₈ 175	2 ⁹ / ₃₂ 58	9 ²⁹ / ₆₄ 240	1 ⁷ / ₃₂ 31	1 25	1 ¹⁹ / ₆₄ 33	2.8150 71.5	2.5591 65	27	1	UK 313	FL 313	HE2313 H 2313 HS2313	8.5 8.5 8.5	
UKFL 315 315	2 ¹ / ₂	65	12 ¹⁹ / ₃₂ 320	7 ¹¹ / ₁₆ 195	2 ¹⁹ / ₃₂ 66	10 ¹⁵ / ₆₄ 260	1 ³ / ₈ 35	1 ³ / ₁₆ 30	1 ¹⁷ / ₃₂ 39	3.2087 81.5	2.8740 73	30	1 ¹ / ₈	UK 315	FL 315	HE2315 H 2315	11.3 11.3	
UKFL 316 316	2 ³ / ₄	70	10 ³¹ / ₃₂ 355	8 ⁹ / ₃₂ 210	2 ¹¹ / ₁₆ 68	11 ⁷ / ₃₂ 285	1 ¹ / ₂ 38	1 ¹ / ₄ 32	1 ¹ / ₂ 38	3.2480 82.5	3.0709 78	33	1 ¹ / ₄	UK 316	FL 316	HE2316 H 2316	14.4 14.4	
UKFL 317 317	3	75	14 ⁹ / ₁₆ 370	8 ²¹ / ₃₂ 220	2 ²⁹ / ₃₂ 74	11 ¹³ / ₁₆ 300	1 ¹ / ₂ 38	1 ¹ / ₄ 32	1 ¹⁴ / ₆₄ 44	3.6220 92	3.2283 82	33	1 ¹ / ₄	UK 317	FL 317	H 2317 HE2317	16.0 16.0	
UKFL 318		80	15 ⁵ / ₃₂ 385	9 ¹ / ₄ 235	3 76	12 ¹³ / ₃₂ 315	1 ¹ / ₂ 38	1 ¹³ / ₃₂ 36	1 ¹⁴ / ₆₄ 44	3.6220 92	3.3858 86	33	1 ¹ / ₄	UK 318	FL 318	H 2318	19.0	
UKFL 319 319	3 ¹ / ₄	85	15 ¹⁵ / ₁₆ 405	9 ²⁷ / ₃₂ 250	3 ¹¹ / ₁₆ 94	13 330	1 ³⁹ / ₆₄ 41	1 ⁹ / ₁₆ 40	2 ²¹ / ₆₄ 59	4.3701 111	3.5433 90	36	1 ³ / ₈	UK 319	FL 319	HE2319 H 2319	24.6 24.6	
UKFL 320 320	3 ¹ / ₂	90	17 ⁵ / ₁₆ 440	10 ⁵ / ₈ 270	3 ¹¹ / ₁₆ 94	14 ¹¹ / ₆₄ 360	1 ¹⁴ / ₆₄ 44	1 ⁹ / ₁₆ 40	2 ²¹ / ₆₄ 59	4.4488 113	3.8189 97	39	1 ¹ / ₂	UK 320	FL 320	HE2320 H 2320	29.4 29.4	
UKFL 322 322	4	100	18 ¹ / ₂ 470	11 ¹³ / ₁₆ 300	3 ²⁵ / ₃₂ 96	15 ²³ / ₆₄ 390	1 ¹⁴ / ₆₄ 44	1 ²¹ / ₃₂ 42	2 ²³ / ₆₄ 60	4.7244 120	4.1339 105	39	1 ¹ / ₂	UK 322	FL 322	H 2322 HE2322	36.2 36.2	
UKFL 324 324	4 ⁷ / ₁₆	110	20 ⁵ / ₃₂ 520	13 330	4 ¹ / ₃₂ 110	16 ⁵⁹ / ₆₄ 430	1 ²⁷ / ₃₂ 47	1 ⁷ / ₈ 48	2 ⁹ / ₁₆ 65	5.1378 130.5	4.4094 112	42	1 ⁵ / ₈	UK 324	FL 324	H 2324 HA2324	51.6 51.6	
UKFL 326 326	4 ¹ / ₂	115	21 ²¹ / ₃₂ 550	14 ³ / ₁₆ 360	4 ¹⁷ / ₃₂ 115	18 ⁷ / ₆₄ 460	4 ²⁷ / ₃₂ 47	1 ³¹ / ₃₂ 50	2 ⁹ / ₁₆ 65	5.1792 131.5	4.7638 121	42	1 ⁵ / ₈	UK 326	FL 326	HE2326 H 2326	61.6 61.6	
UKFL 328 328	4 ¹⁵ / ₁₆	125	23 ⁵ / ₈ 600	15 ³ / ₄ 400	4 ²⁹ / ₃₂ 125	19 ¹¹ / ₁₆ 500	2 51	2 ³ / ₈ 60	2 ⁶¹ / ₆₄ 75	5.8071 147.5	5.1575 131	45	1 ³ / ₄	UK 328	FL 328	HE2328 H 2328	68.4 68.4	

OVAL FLANGE A TYPE UNITS

UCFA2

(Cylindrical bore)



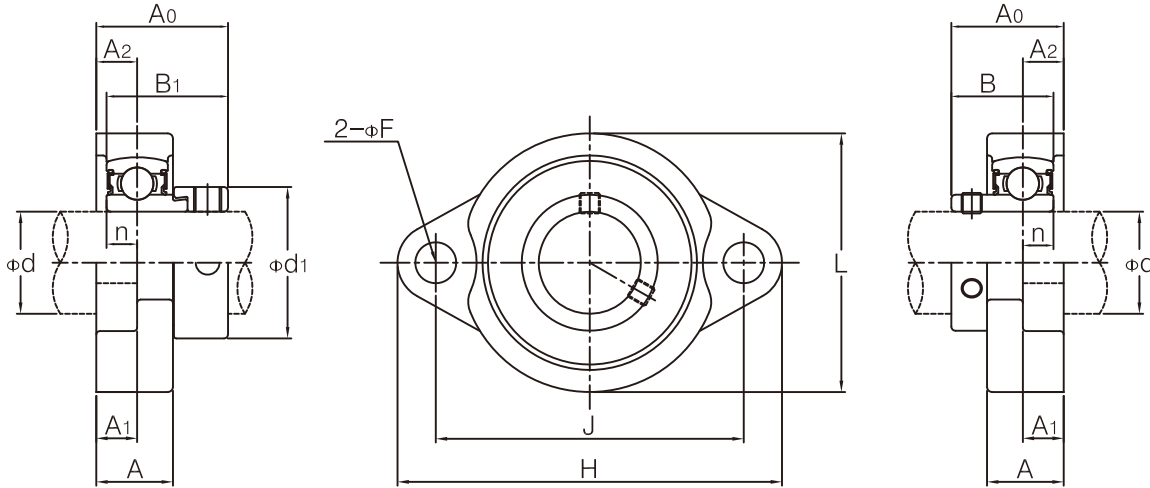
Unit No.	Shaft Dia.		Dimensions (in. (mm))													Bolt used		Bearing No.	Housing No.	Weight (kgf)
	d		H	L	A	J	F	F ₁	F ₂	A ₁	A ₂	A ₀	B	n	(mm)	(in.)				
	(in.)	(mm)																		
UCFA 201	1/2	12																UC 201 201-8 202 202-10 203 203-11 204-12 204	FA 204	0.47
201-8		15															0.47			
202			327/32	23/8	1	35/64	25/64	19/16	25/64	15/32	19/32	11/4	1.2205	0.5000	10	3/8	0.45			
202-10	5/8	17	98	60	25.4	78	10	40	10	12	15	32.1	31.0	12.7			0.45			
203																	0.44			
203-11	11/16																	0.44		
204-12	3/4																	0.42		
204		20																0.42		
UCFA 205-13	13/16																	UC 205-13 205-14 205-15 205 205-16	FA 205	0.68
205-14	7/8		47/8	23/4	11/16	325/32	1/2	115/16	1/2	1/2	5/8	113/32	1.3425	0.5630	10	3/8	0.68			
205-15	15/16	25	124	70	27	96	13	49	13	13	16	35.7	34.1	14.3			0.68			
205																	0.68			
205-16	1																			0.68
UCFA 206-17	11/16																	UC 206-17 206-18 206 206-19 206-20	FA 206	1.0
206-18	11/8	30	521/32	31/8	17/32	439/64	35/64	23/16	35/64	35/64	45/64	19/15	1.5000	0.6260	10	3/8	1.0			
206			144	79	31	117	13	56	14	14	18	40.0	38.1	15.9			1.0			
206-19	13/16																			1.0
206-20	11/4																			1.0
UCFA 207-20	11/4																	UC 207-20 207-21 207-22 207 207-23	FA 207	1.5
207-21	15/16	35	65/16	315/32	111/32	51/8	19/32	29/16	19/32	5/8	3/4	123/32	1.6890	0.6890	12	7/16	1.5			
207-22	13/8		160	88	34	130	15	65	15	16	19	44.0	42.9	17.5			1.5			
207																				1.5
207-23	17/16																			1.5
UCFA 208-24	11/2																	UC 208-24 208-25 208	FA 208	1.9
208-25	19/16	40	627/32	329/32	113/32	519/32	19/32	223/32	19/32	5/8	13/16	2	1.9370	0.7480	12	7/16	1.9			
208			174	99	36	142	15	69	15	16	21	51.0	49.2	19.0			1.9			
UCFA 209-26	15/8																	UC 209-26 209-27 209-28 209	FA 209	1.7
209-27	111/16		73/32	43/8	11/2	53/64	21/32	23/4	21/32	45/64	7/8	21/16	1.9370	0.7480	14	1/2	1.7			
209-28	13/4	45	180	111	38	148	17	70	17	18	22	52.0	49.2	19.0			1.7			
209																				1.7
UCFA 210-29	113/16																			UC 210-29 210-30 210-31 210 210-32
210-30	17/8	50	715/32	49/16	19/16	63/16	21/32	229/32	21/32	45/64	7/8	25/32	2.0315	0.7480	14	1/2	2.0			
210-31	115/16		190	116	40	157	17	74	17	18	22	55.1	51.6	19.0			2.0			
210																		2.0		
210-32	2																	2.0		
UCFA 211-31	115/16																	UC 211-31 211-32 211-34 211 211-35	FA 211	
211-32	2	55	819/32	51/4	111/16	71/4	21/32	35/16	21/32	25/32	1	25/16	2.1890	0.8740	15	9/16	3.6			
211-34	21/8		218	133	43	184	17	84	17	20	25	59.1	55.6	22.2			3.6			
211																				3.6
211-35	23/16																			3.6

OVAL FLANGE L TYPE UNITS

SALF2 SBLF2

(Cylindrical bore)

SALF2(With eccentric locking collar), SBLF2(Set screw locking)

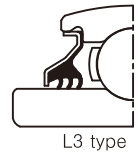
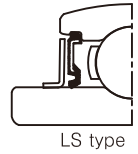
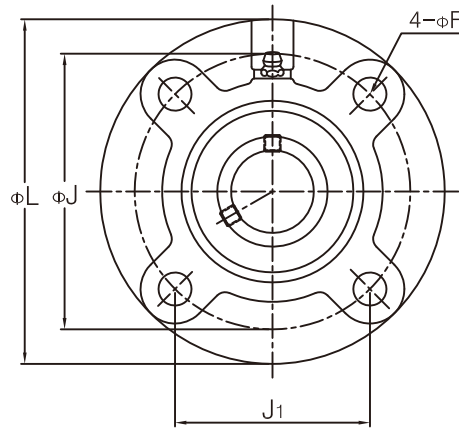
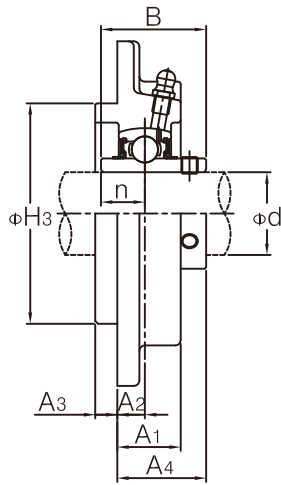


Unit No.	Shaft Dia.		Dimensions (in./mm)							Bolt used		S A L F					S B L F				Housing No.	
	(in.)	(mm)	H	L	A	J	F	A ₁	A ₂	n	(mm)	(in.)	A ₀	B ₁	d ₁	Bearing No.	Weight (kgf)	A ₀	B	Bearing No.		Weight (kgf)
SALF SBLF		12														SA 201	0.28			SB 201	0.36	LF 203
201-8	1/2														201-8	0.28			201-8	0.36		
202		15	3 ³ / ₁₆	2 ⁷ / ₃₂	23 ³ / ₃₂	2 ¹ / ₂	5 ¹ / ₁₆	3 ³ / ₈	3 ³ / ₈	0.2560	6	1 ¹ / ₄	1.1260	1.1260	202	0.28	1	0.8858	202	0.36		
202-10	5/8		81	56.4	18.0	63.5	8	9.5	9.5	6.5					202-10	0.28	25.5	22.5	202-10	0.36		
203		17													203	0.28			203	0.36		
203-11	11/16														203-11	0.28			203-11	0.36		
SALF SBLF		20														SA 204-12	0.33	15 ³ / ₃₂	1.0039	SB 204-12	0.33	LF 204
204	3/4		3 ¹⁷ / ₃₂	2 ¹³ / ₃₂	25 ³ / ₃₂	2 ¹³ / ₁₆	25 ⁵ / ₆₄	7 ¹ / ₁₆	7 ¹ / ₁₆	0.2953	8	5 ¹ / ₁₆	13 ³ / ₈	1.2204	1.3110	204	0.33	29.0	25.5	204	0.33	
SALF SBLF		25														SA 205-13	0.42			SB 205-13	0.38	LF 205
205-13	13/16															205-13	0.42			205-13	0.38	
205-14	7/8		3 ³ / ₄	2 ¹⁷ / ₃₂	25 ³ / ₃₂	2 ⁶³ / ₆₄	25 ⁵ / ₆₄	7 ¹ / ₁₆	7 ¹ / ₁₆	0.2953	8	5 ¹ / ₁₆	1 ¹¹ / ₃₂	1.2204	1.5000	205-14	0.42	13 ³ / ₁₆	1.0630	205-14	0.38	
205-15	15/16		95	64	20.0	76.0	10	11	11	7.5						205-15	0.42	30.5	27.0	205-15	0.38	
205																205	0.42			205	0.38	
205-16	1															205-16	0.42			205-16	0.38	
SALF SBLF		30														SA 206-17	0.60			SB 206-17	0.57	LF 206
206-17	1 ¹ / ₁₆															206-17	0.60			206-17	0.57	
206-18	1 ¹ / ₈		4 ⁷ / ₁₆	3	7 ⁷ / ₈	3 ⁹ / ₁₆	15 ³ / ₃₂	15 ³ / ₃₂	15 ³ / ₃₂	0.3543	10	3 ³ / ₈	1 ⁹ / ₁₆	1.4055	1.7519	206-18	0.60	1 ¹¹ / ₃₂	1.1811	206-18	0.57	
206			113	76	22.0	90.5	12	12	12	9.0						206	0.60	34.0	30.0	206	0.57	
206-19	1 ³ / ₁₆															206-19	0.60			206-19	0.57	
206-20	1 ¹ / ₄															206-20	0.60			206-20	0.57	
SALF SBLF		35														SA 207-20	0.85			SB 207-20	0.77	LF 207
207-20	1 ¹ / ₄															207-20	0.85			207-20	0.77	
207-21	15/16		4 ¹³ / ₁₆	3 ¹ / ₂	15 ¹ / ₁₆	3 ¹⁵ / ₁₆	15 ³ / ₃₂	1 ¹ / ₂	1 ¹ / ₂	0.3740	10	3 ³ / ₈	1 ¹¹ / ₁₆	1.5315	2.1890	207-21	0.85	17 ¹ / ₁₆	1.3780	207-21	0.77	
207-22	1 ³ / ₈		122	89	24.0	100.0	12	13	13	9.5						207-22	0.85	38.5	35.0	207-22	0.77	
207																207	0.85			207	0.77	
207-23	17/16															207-23	0.85			207-23	0.77	

ROUND FLANGE TYPE UNITS

UCFCX

(Cylindrical bore)

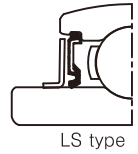
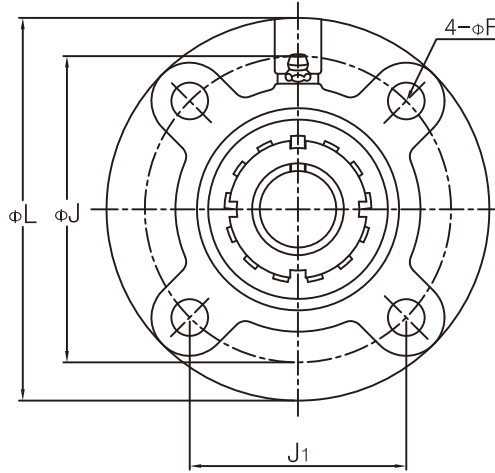
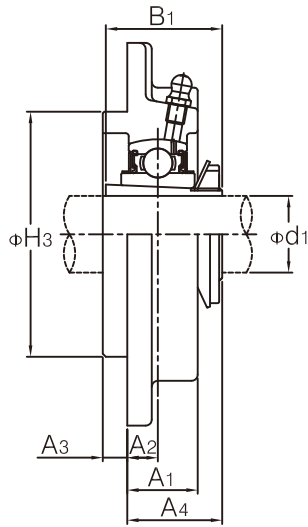


Unit No.	Shaft Dia.		Dimensions (in./mm)											Bolt used		Bearing No.	Housing No.	Weight (kgf)								
	d		L	H ₃	J	J ₁	F	A ₁	A ₂	A ₃	A ₄	B	n	(mm)	(in.)											
	(in.)	(mm)																								
UCFC X05-13 X05-14 X05-15 X05	13/16 7/8 15/16	25	43/8	3	35/8	29/16	3/8	15/16	13/32	15/64	19/32	1.5000	0.6260	8	5/16	UC X05-13 X05-14 X05-15 X05	FC X05	1.2 1.2 1.2 1.2								
UCFC X05-16	1																									
UCFC X06-17 X06-18 X06	11/16 11/8		30	5	311/32	49/64	259/64	15/32	7/8	5/16	3/8	15/16	1.6890			0.6890		10	3/8	UC X06-17 X06-18 X06	FC X06	1.5 1.5 1.5				
UCFC X06-19 X06-20	13/16 1/4																									
UCFC X07-20 X07-21 X07-22 X07	11/4 15/16 13/8	35		51/4	35/8	43/8	33/32	15/32	11/32	23/64	7/16	117/32	1.9370	0.7480	10	3/8	UC X07-20 X07-21 X07-22 X07			FC X07		1.9 1.9 1.9 1.9				
UCFC X07-23	17/16																									
UCFC X08-24 X08-25 X08	11/2 19/16		40	51/4	35/8	43/8	33/32	15/32	11/32	23/64	7/16	117/32	1.9370	0.7480			10	3/8	UC X08-24 X08-25 X08		FC X08	2.0 2.0 2.0				
UCFC X09-26 X09-27 X09-28 X09	15/8 111/16 13/4			45	63/32	41/4	51/8	35/8	35/64	1	5/16	15/32	119/32	2.0315					0.7480			12	7/16	UC X09-26 X09-27 X09-28 X09	FC X09	2.6 2.6 2.6 2.6
UCFC X10-30 X10-31 X10	17/8 115/16	50			63/8	441/64	523/64	325/32	35/64	1	9/32	5/8	119/32	2.1890	0.8740	12			7/16	UC X10-30 X10-31 X10				FC X10		3.2 3.2 3.2
UCFC X10-32	2																									
UCFC X11-31 X11-32 X11-34 X11	115/16 2 21/8		55		73/32	5	563/64	415/64	5/8	11/32	5/32	55/64	123/32	2.5630	1.0000		14	1/2		UC X11-31 X11-32 X11-34 X11	FC X11					4.3 4.3 4.3 4.3
UCFC X11-35	23/16																									
UCFC X12-36 X12	21/4	60		75/8	51/2	61/2	419/32	5/8	15/16	7/16	25/32	2	2.5630	1.0000	14	1/2			UC X12-36 X12	FC X12		5.3 5.3				
UCFC X12-37 X12-38 X12-39	25/16 23/8 27/16																									
UCFC X13-40 X13	21/2		65	75/8	51/2	61/2	419/32	5/8	15/16	7/16	25/32	23/16	2.9370	1.1890			14	1/2	UC X13-40 X13		FC X13	5.7 5.7				
UCFC X14-43 X14-44 X14	211/16 23/4			70	83/4	615/32	731/64	59/32	3/4	113/32	35/64	25/32	25/16	3.0630					1.3110			16	5/8	UC X14-43 X14-44 X14	FC X14	7.3 7.3 7.3
UCFC X15-47 X15	215/16	75			83/4	615/32	731/64	59/32	3/4	13/8	15/32	55/64	213/32	3.2520	1.3110	16			5/8	UC X15-47 X15				FC X15		8 8
UCFC X15-48	3																									
UCFC X16			80		101/4	75/16	85/8	63/32	29/32	113/32	13/32	63/64	27/16	3.3740	1.3425		20	3/4		UC X16	FC X16					11.3 11.3
UCFC X17 X17-52 X17-55	31/4 37/16			85	101/4	75/16	85/8	63/32	29/32	113/32	13/32	63/64	25/8	3.7795	1.5630					20		3/4	UC X17 X17-52 X17-55		FC X17	12.9 12.9 12.9
UCFC X18-56 X18	31/2	90			101/4	75/16	85/8	63/32	29/32	111/16	15/32	13/32	27/8	4.0945	1.7000	20			3/4				UC X18-56 X18	FC X18		13.5 13.5
UCFC X20 X20-63 X20-64	315/16 4				100	107/8	81/8	93/8	65/8	29/32	219/32	7/8	13/32	39/16	4.6260								1.9370			20

ROUND FLANGE TYPE UNITS

UKFC2

(Tapered bore)

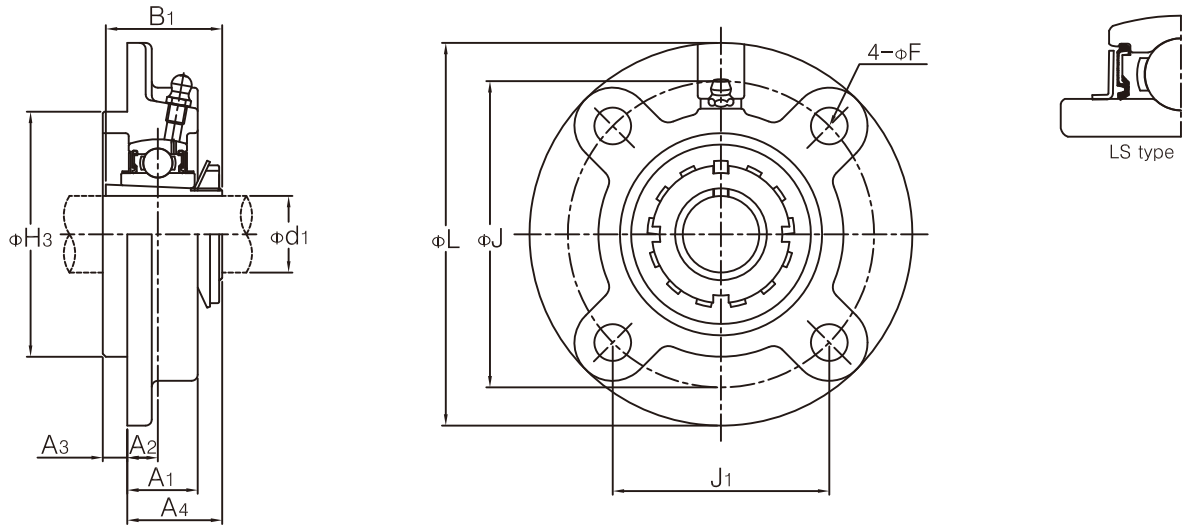


Unit No.	Shaft Dia.		Dimensions (in./mm)										Bolt used		Bearing No.	Housing No.	Adapter used	Weight (kgf)
	d1		L	H3	J	J1	F	A1	A2	A3	A4	B1	(mm)	(in.)				
	(in.)	(mm)																
UKFC 205 205	3/4	20	4 17/32 115	2 3/4 70	3 35/64 90	2 1/2 63.6	15/32 12	13/16 21	13/32 10	15/64 6	1 5/32 29.5	1 3/8 35	10	4/8	UK 205	FC 205	HE2305 H 2305	0.99 0.99
UKFC 206 206 206 206	7/8 15/16 1	25	4 29/32 125	3 5/32 80	3 15/16 100	2 25/32 70.7	15/32 12	29/32 23	13/32 10	5/16 8	1 7/32 31	1 1/2 38	10	4/8	UK 206	FC 206	HS2306 HA2306 H 2306 HE2306	1.3 1.3 1.3 1.3
UKFC 207 207 207	1 1/8 13/16	30	5 5/16 135	3 35/64 90	4 21/64 110	3 1/16 77.8	35/64 14	1 1/32 26	7/16 11	5/16 8	1 5/16 33.5	1 11/16 43	12	7/16	UK 207	FC 207	HS2307 H 2307 HA2307	1.7 1.7 1.7
UKFC 208 208 208	1 1/4 13/8	35	5 23/32 145	3 15/16 100	4 23/32 120	3 11/32 84.8	35/64 14	1 1/32 26	7/16 11	13/32 10	1 25/64 35.5	1 13/16 46	12	7/16	UK 208	FC 208	HE2308 HS2308 H 2308	2.0 2.0 2.0
UKFC 209 209 209 209	1 7/16 1 1/2 1 5/8	40	6 5/16 160	4 1/8 105	5 13/64 132	3 43/64 93.3	5/8 16	1 1/32 26	13/32 10	15/32 12	1 27/64 36	1 31/32 50	14	1/2	UK 209	FC 209	HA2309 HS2309 H 2309 HS2309	2.7 2.7 2.7 2.7
UKFC 210 210 210	1 11/16 13/4	45	6 1/2 165	4 11/32 110	5 7/16 138	3 27/32 97.6	5/8 16	1 3/32 28	13/32 10	15/32 12	1 15/32 37.5	2 5/32 55	14	1/2	UK 210	FC 210	HA2310 HE2310 H 2310	3.0 3.0 3.0
UKFC 211 211 211 211	1 7/8 1 15/16 2	50	7 9/32 185	4 29/32 125	5 29/32 150	4 11/64 106.1	3/4 19	1 7/32 31	33/64 13	15/32 12	1 5/8 41.5	2 5/16 59	16	5/8	UK 211	FC 211	HS2311 HA2311 H 2311 HE2311	4.3 4.3 4.3 4.3
UKFC 212 212	2 1/8	55	7 11/16 195	5 5/16 135	6 19/64 160	4 29/64 113.1	3/4 19	1 13/32 36	43/64 17	15/32 12	1 57/64 48.0	2 7/16 62	16	5/8	UK 212	FC 212	HS2312 H 2312	4.9 4.9
UKFC 213 213 213 213	2 3/16 2 1/4 2 1/2 2 3/8	60	8 1/16 205	5 23/32 145	6 11/16 170	4 47/64 120.2	3/4 19	1 13/32 36	5/8 16	35/64 14	1 59/64 49	2 9/16 65	16	5/8	UK 213	FC 213	HA2313 HE2313 H 2313 HS2313	5.5 5.5 5.5 5.5
UKFC 215 215 215	2 7/16 2 1/2	65	8 21/32 220	6 5/16 160	7 1/4 184	5 1/8 130.1	3/4 19	1 9/16 40	45/64 18	5/8 16	2 7/64 53.5	2 7/8 73	16	5/8	UK 215	FC 215	HA2315 HE2315 H 2315	7.4 7.4 7.4
UKFC 216 216 216	2 11/16 2 3/4	70	9 7/16 240	6 11/16 170	7 7/8 200	5 9/16 141.4	29/32 23	1 21/32 42	45/64 18	5/8 16	2 1/4 57	3 1/16 78	20	3/4	UK 216	FC 216	HA2316 HE2316 H 2316	9.0 9.0 9.0
UKFC 217 217 217	2 15/16 3	75	9 27/32 250	7 3/32 180	8 3/16 208	5 51/64 147.1	29/32 23	1 25/32 45	45/64 18	45/64 18	2 21/64 59	3 7/32 82	20	3/4	UK 217	FC 217	HA2317 H 2317 HE2317	10.4 10.4 10.4
UKFC 218		80	10 7/16 265	7 15/32 190	8 21/32 220	6 1/8 155.5	29/32 23	1 31/32 50	55/64 22	45/64 18	2 35/64 64.5	3 3/8 86	20	3/4	UK 218	FC 218	H 2318	13.3

ROUND FLANGE TYPE UNITS

UKFCX

(Tapered bore)



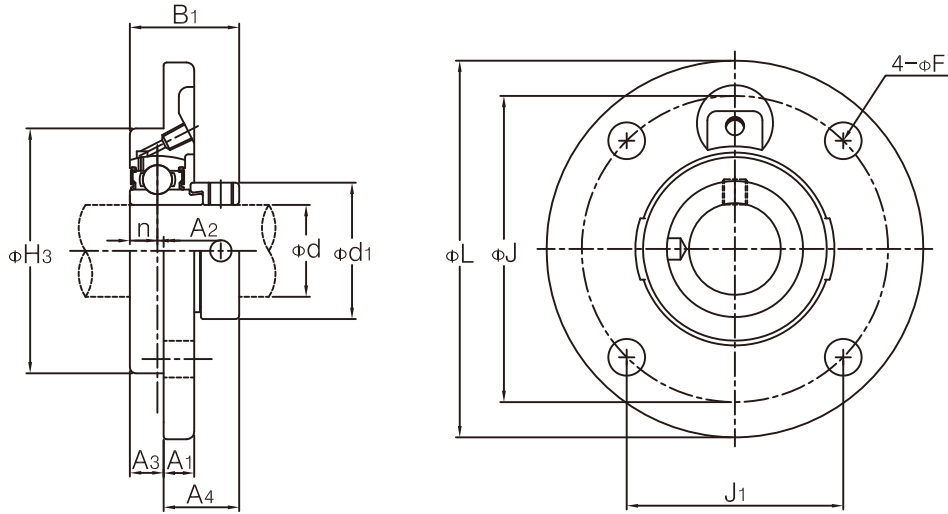
Unit No.	Shaft Dia.		Dimensions (in.) (mm)										Bolt used		Bearing No.	Housing No.	Adapter used	Weight (kgf)
	d1		L	H ₃	J	J ₁	F	A ₁	A ₂	A ₃	A ₄	B ₁	(mm)	(in.)				
	(in.)	(mm)																
UKFC X05 X05	3/4	20	4 3/8 111	3 76	3 5/8 92	2 9/16 65.0	3/8 9.5	1 5/16 24.0	1 3/32 10	1 5/64 6.0	1 7/32 31	1 3/8 35	8	5/16	UK X05	FC X05	HE2305 H 2305	1.2 1.2
UKFC X06 X06 X06 X06	7/8 1 5/16 1	25	5 127	3 11/32 85	4 9/64 105	2 59/64 74.2	1 5/32 12	7/8 22.5	5/16 8	3/8 9.5	1 5/32 29.5	1 1/2 38	10	3/8	UK X06	FC X06	HS2306 HA2306 H 2306 HE2306	1.5 1.5 1.5 1.5
UKFC X07 X07 X07	1 1/8 1 3/16	30	5 1/4 133	3 5/8 92	4 3/8 111	3 3/32 78.5	1 5/32 12	1 1/32 26.0	2 3/64 9	7/16 11.0	1 9/32 32.5	1 11/16 43	10	3/8	UK X07	FC X07	HS2307 H 2307 HA2307	1.9 1.9 1.9
UKFC X08 X08 X08	1 1/4 1 3/8	35	5 1/4 133	3 5/8 92	4 3/8 111	3 3/32 78.5	1 5/32 12	1 1/32 26.0	2 3/64 9	7/16 11.0	1 11/32 34	1 13/16 46	10	3/8	UK X08	FC X08	HE2308 HS2308 H 2308	1.9 1.9 1.9
UKFC X09 X09 X09 X09	1 7/16 1 1/2 1 5/8	40	6 3/32 155	4 1/4 108	5 1/8 130	3 5/8 91.9	3 5/64 14	1 25.0	5/16 8	1 5/32 12.0	1 23/64 34.5	1 31/32 50	12	7/16	UK X09	FC X09	HA2309 HE2309 H 2309 HS2309	2.6 2.6 2.6 2.6
UKFC X10 X10 X10	1 11/16 1 3/4	45	6 3/8 162	4 11/64 118	5 23/64 136	3 25/32 96.2	3 5/64 14	1 25.0	9/32 7	5/8 16.0	1 25/64 35.5	2 5/32 55	12	7/16	UK X10	FC X10	HA2310 HE2310 H 2310	3.1 3.1 3.1
UKFC X11 X11 X11 X11	1 7/8 1 15/16 2	50	7 3/32 180	5 127	5 63/64 152	4 15/64 107.5	5/8 16	1 1/32 26.0	5/32 4	5 5/64 22.0	1 11/32 34	2 5/16 59	14	1/2	UK X11	FC X11	HS2311 HA2311 H 2311 HE2311	4.0 4.0 4.0 4.0
UKFC X12 X12	2 1/8	55	7 5/8 194	5 1/2 140	6 1/2 165	4 19/32 116.7	5/8 16	1 5/16 33.0	7/16 11	2 5/32 20.0	1 11/16 43	2 7/16 62	14	1/2	UK X12	FC X12	HS2312 H 2312	5.1 5.1
UKFC X13 X13 X13 X13	2 3/16 2 1/4 2 3/8	60	7 5/8 194	5 1/2 140	6 1/2 165	4 19/32 116.7	5/8 16	5/16 33.0	7/16 11	2 5/32 20.0	1 25/32 45	2 9/16 65	14	1/2	UK X13	FC X13	HA2313 HE2313 H 2313 HS2313	5.3 5.3 5.3 5.3
UKFC X15 X15 X15	2 1/2 2 5/8	65	8 3/4 222	6 15/32 164	7 31/64 190	5 9/32 134.3	3/4 19	1 3/8 35.0	1 5/32 12	5 5/64 22.0	1 15/16 49	2 7/8 73	16	5/8	UK X15	FC X15	HA2315 HE2315 H 2315	7.7 7.7 7.7
UKFC X16 X16	2 3/4	70	10 1/4 260	7 5/16 186	8 5/8 219	6 3/32 154.8	2 9/32 23	1 13/32 36.0	1 3/32 10	6 3/64 25.0	1 31/32 50	3 1/16 78	20	3/4	UK X16	FC X16	HE2316 H 2316	11.4 11.4
UKFC X17 X17 X17 X17	2 7/8 2 15/16 3	75	10 1/4 260	7 5/16 186	8 5/8 219	6 3/32 154.8	2 9/32 23	1 13/32 36.0	1 3/32 10	6 3/64 25.0	2 1/16 52.5	3 7/32 82	20	3/4	UK X17	FC X17	HS2317 HA2317 H 2317 HE2317	12.6 12.6 12.6 12.6
UKFC X18		80	10 1/4 260	7 5/16 186	8 5/8 219	6 3/32 154.8	2 9/32 23	1 11/16 43	1 5/32 12	1 3/32 28	2 5/32 55	3 3/8 86	20	3/4	UK X18	FC X18	H 2318	14.0
UKFC X20 X20	3 1/2	90	10 7/8 276	8 1/8 206	9 3/8 238	6 5/8 168.3	2 9/32 23	2 19/32 66	7/8 22	1 3/32 28	2 23/32 69	3 13/16 97	20	3/4	UK X20	FC X20	HE2320 H 2320	15.0 15.0

ROUND FLANGE C TYPE UNITS

SAFCC2

(Cylindrical bore)

(With eccentric locking collar)

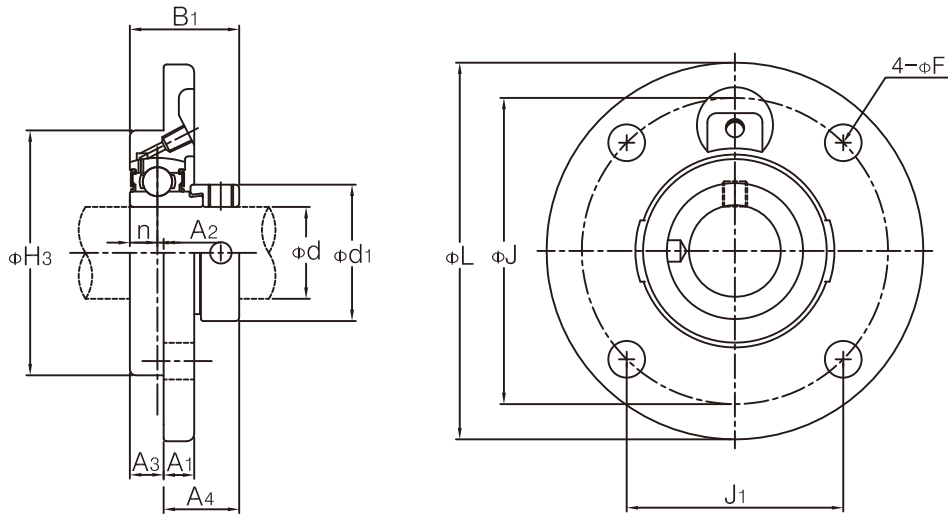


Unit No.	Shaft Dia.		Dimensions (in./mm)													Bolt used		Bearing No.	Housing No.	Weight (kgf)											
	d		L	H3	J	J1	F	A1	A2	A3	A4	B1	n	d1	(mm)	(in.)															
	(in.)	(mm)																													
SAFCC 201	1/2	12	315/16	27/16	31/16	211/64	23/64	5/16	5/64	23/64	27/32	1.2205	0.2953	1.1260	8	5/16	SA 201	FCC 203	0.53												
201-8		15															0.53														
202		15															0.53														
202-10		100															62		78	55.2	9	8	2	9	21.5	31.0	7.5	28.6	0.53		
203		17															0.53														
203-11	11/16	17	0.53																												
SAFCC 204-12	3/4	20	315/16	27/16	31/16	211/64	23/64	5/16	5/64	23/64	27/32	1.2205	0.2953	1.3110	8	5/16	SA 204-12	FCC 204	0.53												
204																	204		0.53												
SAFCC 205-13	15/16	25	417/32	23/4	335/64	21/2	23/64	23/64	3/32	13/32	53/64	1.2205	0.2953	1.5000	8	5/16	SA 205-13	FCC 205	0.80												
205-14																	115		70	90	63.6	9	9	2.5	10	21	31.0	7.5	38.1	0.80	
205-15																	115		70	90	63.6	9	9	2.5	10	21	31.0	7.5	38.1	0.80	
205																	115		70	90	63.6	9	9	2.5	10	21	31.0	7.5	38.1	0.80	
205-16																	1		115	70	90	63.6	9	9	2.5	10	21	31.0	7.5	38.1	0.80
SAFCC 206-17	11/8	30	427/32	33/32	315/16	225/32	15/32	13/32	1/8	7/16	15/16	1.4055	0.3543	1.7520	10	3/8	SA 206-17	FCC 206	0.95												
206-18																	123		80	100	70.7	12	10	3	11	23.7	35.7	9.0	44.5	0.95	
206																	123		80	100	70.7	12	10	3	11	23.7	35.7	9.0	44.5	0.95	
206-19																	13/16		123	80	100	70.7	12	10	3	11	23.7	35.7	9.0	44.5	0.95
206-20																	11/4		123	80	100	70.7	12	10	3	11	23.7	35.7	9.0	44.5	0.95
SAFCC 207-20	13/8	35	55/16	335/64	411/32	31/16	29/64	13/32	3/64	13/32	11/8	1.5315	0.3740	2.1890	10	3/8	SA 207-20	FCC 207	1.25												
207-21																	135		90	110	77.8	11.5	10	1	10.5	28.4	38.9	9.5	55.6	1.25	
207-22																	135		90	110	77.8	11.5	10	1	10.5	28.4	38.9	9.5	55.6	1.25	
207																	135		90	110	77.8	11.5	10	1	10.5	28.4	38.9	9.5	55.6	1.25	
207-23																	17/16		135	90	110	77.8	11.5	10	1	10.5	28.4	38.9	9.5	55.6	1.25
SAFCC 208-24	19/16	40	523/32	315/16	423/32	311/32	29/64	29/64	1/16	31/64	115/64	1.7205	0.4331	2.3740	10	3/8	SA 208-24	FCC 208	1.68												
208-25																	145		100	120	84.9	11.5	11.5	1.5	12.5	31.2	43.7	11	60.3	1.68	
208																	145		100	120	84.9	11.5	11.5	1.5	12.5	31.2	43.7	11	60.3	1.68	
SAFCC 209-26	13/4	45	63/32	41/8	51/8	339/64	35/64	15/32	5/64	1/2	19/16	2.0787	0.4331	2.5000	12	7/16	SA 209-26	FCC 209	2.05												
209-27																	155		105	130	91.9	14	12	2	13	39.8	52.8	11	63.5	2.05	
209-28																	155		105	130	91.9	14	12	2	13	39.8	52.8	11	63.5	2.05	
209																	155		105	130	91.9	14	12	2	13	39.8	52.8	11	63.5	2.05	
SAFCC 210-29	115/16	50	61/2	411/32	55/16	349/64	35/64	1/2	3/64	15/32	153/64	2.2992	0.4331	2.7520	12	7/16	SA 210-29	FCC 210	2.19												
210-30																	165		110	135	95.5	14	13	1	12	46.4	58.4	11	69.9	2.19	
210-31																	165		110	135	95.5	14	13	1	12	46.4	58.4	11	69.9	2.19	
210																	165		110	135	95.5	14	13	1	12	46.4	58.4	11	69.9	2.19	
210-32																	2		165	110	135	95.5	14	13	1	12	46.4	58.4	11	69.9	2.19
SAFCC 211-31	21/8	55	79/32	429/32	529/32	411/64	45/64	19/32	0	31/64	13/32	2.5709	0.4724	3.0000	16	5/8	SA 211-31	FCC 211	3.14												
211-32																	185		125	150	106	18	15	0	12.5	53.3	65.3	12	76.2	3.14	
211-34																	185		125	150	106	18	15	0	12.5	53.3	65.3	12	76.2	3.14	
211																	185		125	150	106	18	15	0	12.5	53.3	65.3	12	76.2	3.14	
211-35																	23/16		185	125	150	106	18	15	0	12.5	53.3	65.3	12	76.2	3.14
SAFCC 212-36	27/16	60	711/16	55/16	65/16	429/64	45/64	5/8	-1/2	1/2	121/64	2.8465	0.5315	3.3150	16	5/8	SA 212-36	FCC 212	3.83												
212																	195		135	160	113.1	18	16	-0.5	13	59.3	72.3	13.5	84.2	3.83	
212-37																	195		135	160	113.1	18	16	-0.5	13	59.3	72.3	13.5	84.2	3.83	
212-38																	195		135	160	113.1	18	16	-0.5	13	59.3	72.3	13.5	84.2	3.83	
212-39																	27/16		195	135	160	113.1	18	16	-0.5	13	59.3	72.3	13.5	84.2	3.83

ROUND FLANGE C TYPE UNITS

SBFCC2

(Cylindrical bore)

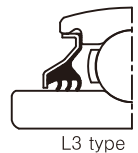
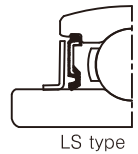
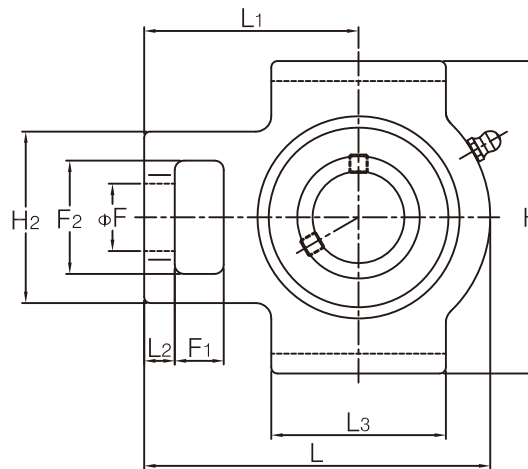
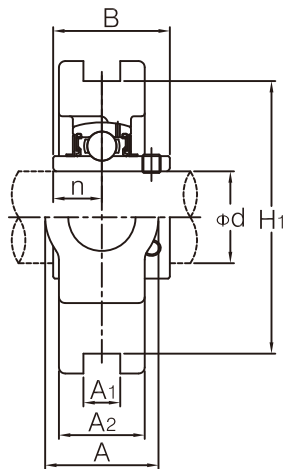


Unit No.	Shaft Dia.		Dimensions (in./mm)											Bolt used		Bearing No.	Housing No.	Weight (kgf)
	d		L	H ₃	J	J ₁	F	A ₁	A ₂	A ₃	A ₄	B	n	(mm)	(in.)			
	(in.)	(mm)																
SBFCC 201	1/2	12														SB 201	SB 204	0.53
201-8		15													0.53			
202		17	3 ¹⁵ / ₁₆	2 ⁷ / ₁₆	3 ¹ / ₁₆	2 ¹¹ / ₆₄	23 ³ / ₆₄	5 ¹ / ₁₆	5 ⁵ / ₆₄	23 ³ / ₆₄	4 ¹ / ₆₄	1.0040	0.2953	8	5 ¹ / ₁₆			0.53
202-10		100	62	78	55.2	9	8	2	9	16.3	25.5	7.5			0.53			
203		17	100	62	78	55.2	9	8	2	9	16.3	25.5	7.5	8	5 ¹ / ₁₆			0.53
SBFCC 205-13	13 ¹ / ₁₆	25														SB 205-13	SB 205	0.74
205-14	7 ⁷ / ₈																	0.74
205-15	15 ¹ / ₁₆		4 ¹⁷ / ₃₂	2 ³ / ₄	3 ³⁵ / ₆₄	2 ¹ / ₂	23 ³ / ₆₄	23 ³ / ₆₄	3 ³ / ₃₂	13 ³ / ₃₂	11 ¹ / ₁₆	1.0630	0.2953	8	5 ¹ / ₁₆			0.74
205	25		115	70	90	63.6	9	9	2.5	10	17.3	27.0	7.5	8	5 ¹ / ₁₆			0.74
205-16	1		115	70	90	63.6	9	9	2.5	10	17.3	27.0	7.5	8	5 ¹ / ₁₆			0.74
SBFCC 206-17	17 ¹ / ₁₆	30														SB 206-17	SB 206	0.92
206-18	7 ⁷ / ₈																	0.92
206	11 ¹ / ₈		4 ²⁷ / ₃₂	3 ⁵ / ₃₂	3 ¹⁵ / ₁₆	2 ²⁵ / ₃₂	15 ¹ / ₃₂	13 ¹ / ₃₂	1 ¹ / ₈	7 ¹ / ₁₆	3 ³ / ₄	1.1811	0.3543	10	3 ³ / ₈			0.92
206-19	13 ¹ / ₁₆		123	80	100	70.7	12	10	3	11	19.2	30.0	9.0	10	3 ³ / ₈			0.92
206-20	1 ¹ / ₄		123	80	100	70.7	12	10	3	11	19.2	30.0	9.0	10	3 ³ / ₈			0.92
SBFCC 207-20	1 ¹ / ₄	35														SB 207-20	SB 207	1.12
207-21	15 ¹ / ₁₆																	1.12
207-22	13 ³ / ₈		5 ⁵ / ₁₆	3 ³⁵ / ₆₄	4 ¹¹ / ₃₂	3 ¹ / ₁₆	29 ³ / ₆₄	13 ¹ / ₃₂	3 ³ / ₆₄	13 ¹ / ₃₂	6 ¹ / ₆₄	1.3780	0.3740	10	3 ³ / ₈			1.12
207	35		135	90	110	77.8	11.5	10	1	10.5	24.4	35.0	9.5	10	3 ³ / ₈			1.12
207-23	17 ¹ / ₁₆		135	90	110	77.8	11.5	10	1	10.5	24.4	35.0	9.5	10	3 ³ / ₈			1.12
SBFCC 208-24	11 ¹ / ₂	40														SB 208-24	SB 208	1.57
208-25	19 ¹ / ₁₆																	1.57
208	40		5 ²³ / ₃₂	3 ¹⁵ / ₁₆	4 ²³ / ₃₂	3 ¹¹ / ₃₂	29 ³ / ₆₄	29 ³ / ₆₄	1 ¹ / ₁₆	31 ³ / ₆₄	1 ¹ / ₈	1.5748	0.4331	10	3 ³ / ₈			1.57
SBFCC 209-26	15 ¹ / ₈	45														SB 209-26	SB 209	1.96
209-27	11 ¹ / ₁₆																	1.96
209-28	13 ³ / ₄		6 ³ / ₃₂	4 ¹ / ₈	5 ¹ / ₈	3 ³⁹ / ₆₄	35 ³ / ₆₄	15 ¹ / ₃₂	5 ⁵ / ₆₄	1 ¹ / ₂	17 ³ / ₆₄	1.6220	0.4331	12	7 ¹ / ₁₆			1.96
209	45		155	105	130	91.9	14	12	2	13	28.2	41.2	11	12	7 ¹ / ₁₆			1.96
SBFCC 210-29	113 ¹ / ₁₆	50														SB 210-29	SB 210	2.74
210-30	17 ⁷ / ₈																	2.74
210-31	115 ¹ / ₁₆		6 ¹ / ₂	4 ¹¹ / ₃₂	5 ⁵ / ₁₆	3 ⁴⁹ / ₆₄	35 ³ / ₆₄	1 ¹ / ₂	3 ³ / ₆₄	15 ¹ / ₃₂	1 ¹⁵ / ₆₄	1.7165	0.4331	12	7 ¹ / ₁₆			2.74
210	50		165	110	135	95.5	14	13	1	12	31.6	43.6	11	12	7 ¹ / ₁₆			2.74
210-32	2		165	110	135	95.5	14	13	1	12	31.6	43.6	11	12	7 ¹ / ₁₆			2.74
SBFCC 211-31	115 ¹ / ₁₆	55														SB 211-31	SB 211	3.09
211-32	2																	3.09
211-34	2 ¹ / ₈		7 ⁹ / ₃₂	4 ²⁹ / ₃₂	5 ²⁹ / ₃₂	4 ¹¹ / ₆₄	45 ³ / ₆₄	19 ¹ / ₃₂	0	31 ³ / ₆₄	15 ¹ / ₁₆	1.7874	0.4724	16	5 ¹ / ₈			3.09
211	55		185	125	150	106	18	15	0	12.5	33.4	45.4	12	16	5 ¹ / ₈			3.09
211-35	23 ¹ / ₁₆		185	125	150	106	18	15	0	12.5	33.4	45.4	12	16	5 ¹ / ₈			3.09
SBFCC 212-36	21 ¹ / ₄	60														SB 212-36	SB 212	3.68
212	21 ¹ / ₄																	3.68
212-37	25 ¹ / ₁₆		7 ¹¹ / ₁₆	5 ⁵ / ₁₆	6 ⁵ / ₁₆	4 ²⁹ / ₆₄	45 ³ / ₆₄	5 ⁸ / ₁₆	-1 ¹ / ₂	1 ¹ / ₂	137 ³ / ₆₄	2.0945	0.5315	16	5 ¹ / ₈			3.68
212-38	23 ³ / ₈		195	135	160	113.1	18	16	-0.5	13	40.2	53.2	13.5	16	5 ¹ / ₈			3.68
212-39	27 ¹ / ₁₆		195	135	160	113.1	18	16	-0.5	13	40.2	53.2	13.5	16	5 ¹ / ₈			3.68

TAKE-UP TYPE UNITS

UCTX

(Cylindrical bore)

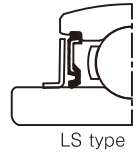
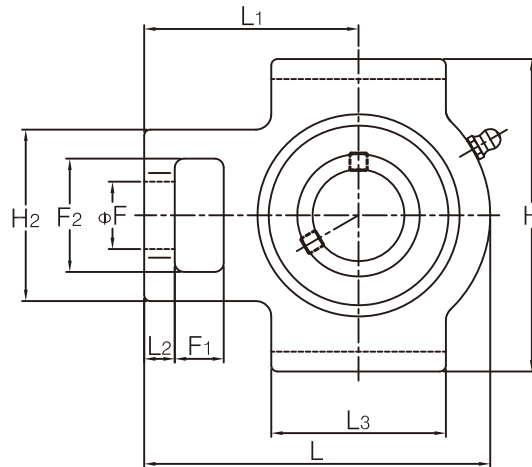
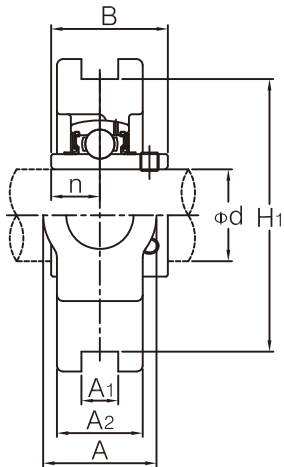


Unit No.	Shaft Dia.		Dimensions (in.) (mm)														Bearing No.	Housing No.	Weight (kgf)	
	d		A	A1	A2	H	H1	H2	L	L1	L2	L3	F	F1	F2	B				n
	(in.)	(mm)																		
UCT X05-13 X05-14 X05-15 X05 X05-16	13/16 7/8 15/16 1	25	1 15/32 37	15/32 12	1 3/32 28	4 1/32 102	3 1/2 89	2 7/32 56	4 7/16 113	2 3/4 70	1 3/32 10	2 1/4 57	5 5/64 22	5/8 16	1 15/32 37	1.5000 38.1	0.6260 15.9	UC X05-13 X05-14 X05-15 X05 X05-16	T X05	1.4 1.4 1.4 1.4 1.4
UCT X06-17 X06-18 X06 X06-19 X06-20	1 1/16 1 1/8 1 3/16 1 1/4	30	1 15/32 37	15/32 12	1 3/16 30	4 1/32 102	3 1/2 89	2 17/32 64	5 3/32 129	3 1/16 78	1/2 13	2 17/32 64	5 5/64 22	5/8 16	1 15/32 37	1.6890 42.9	0.6890 17.5	UC X06-17 X06-18 X06 X06-19 X06-20	T X06	1.7 1.7 1.7 1.7 1.7
UCT X07-20 X07-21 X07-22 X07 X07-23	1 1/4 1 5/16 1 3/8 1 7/16	35	1 15/16 49	5/8 16	1 13/32 36	4 1/2 114	4 1/4 102	3 9/32 83	5 21/32 144	3 15/32 88	19/32 15	3 9/32 83	1 9/64 29	3/4 19	1 15/16 49	1.9370 49.2	0.7480 19.0	UC X07-20 X07-21 X07-22 X07 X07-23	T X07	2.7 2.7 2.7 2.7 2.7
UCT X08-24 X08-25 X08	1 1/2 1 9/16	40	1 15/16 49	5/8 16	1 13/32 36	4 19/32 117	4 1/2 102	3 9/32 83	5 21/32 144	3 7/16 87	19/32 15	3 9/32 83	1 9/64 29	3/4 19	1 15/16 49	1.9370 49.2	0.7480 19.0	UC X08-24 X08-25 X08	T X08	2.6 2.6 2.6
UCT X09-26 X09-27 X09-28 X09	1 5/8 1 11/16 1 3/4	45	1 15/16 49	5/8 16	1 1/2 38	4 19/32 117	4 1/4 102	3 9/32 83	5 7/8 149	3 17/32 90	5/8 16	3 3/8 86	1 9/64 29	3/4 19	1 15/16 49	2.0315 51.6	0.7480 19.0	UC X09-26 X09-27 X09-28 X09	T X09	2.9 2.9 2.9 2.9
UCT X10-30 X10-31 X10 X10-32	1 7/8 1 5/16 2	50	2 17/32 64	5 5/64 22	1 21/32 42	5 3/4 146	5 1/8 130	4 1/32 102	6 23/32 171	4 3/16 106	3/4 19	3 3/4 95	1 3/8 35	1 25	2 17/32 64	2.1890 55.6	0.8740 22.2	UC X10-30 X10-31 X10 X10-32	T X10	4.4 4.4 4.4 4.4
UCT X11-31 X11-32 X11-34 X11 X11-35	1 15/16 2 2 1/8 2 3/16	55	2 17/32 64	5 5/64 22	1 21/32 42	5 3/4 146	5 1/8 130	4 1/32 102	7 5/8 194	4 11/16 119	3/4 19	4 1/32 102	1 3/8 35	1 1/4 32	2 17/32 64	2.5630 65.1	1.0000 25.4	UC X11-31 X11-32 X11-34 X11 X11-35	T X11	5.3 5.3 5.3 5.3 5.3
UCT X12-36 X12 X12-37 X12-38 X12-39	2 1/4 2 5/16 2 3/8 2 7/16	60	2 3/4 70	1 1/32 26	1 7/8 48	6 9/16 167	5 15/16 151	4 3/8 111	8 13/16 224	5 13/32 137	13/16 21	4 3/4 121	1 39/64 41	1 1/4 32	2 3/4 70	2.5630 65.1	1.0000 25.4	UC X12-36 X12 X12-37 X12-38 X12-39	T X12	7.4 7.4 7.4 7.4 7.4
UCT X13-40 X13	2 1/2	65	2 3/4 70	1 1/32 26	1 7/8 48	6 9/16 167	5 15/16 151	4 3/8 111	8 13/16 224	5 13/32 137	13/16 21	4 3/4 121	1 39/64 41	1 1/4 32	2 3/4 70	2.9370 74.6	1.1890 30.2	UC X13-40 X13	T X13	7.6 7.6
UCT X14-43 X14-44 X14	2 11/16 2 3/4	70	2 3/4 70	1 1/32 26	1 7/8 48	6 9/16 167	5 15/16 151	4 3/8 111	9 1/8 232	5 1/2 140	13/16 21	4 3/4 121	1 39/64 41	1 1/4 32	2 3/4 70	3.0630 77.8	1.3110 33.3	UC X14-43 X14-44 X14	T X14	7.9 7.9 7.9
UCT X15-47 X15 X15-48	2 15/16 3	75	2 3/4 70	1 7/64 28	1 7/8 48	7 1/4 184	6 1/2 165	4 4/8 111	9 1/4 235	5 1/2 140	13/16 21	4 3/4 121	1 39/64 41	1 1/4 32	2 3/4 70	3.2520 82.6	1.3110 33.3	UC X15-47 X15 X15-48	T X15	8.7 8.7 8.7
UCT X16		80	2 7/8 73	1 7/64 28	2 1/8 54	7 25/32 198	6 13/16 173	4 7/8 124	10 1/4 260	6 3/8 162	13/32 28	6 3/16 157	1 57/64 48	1 1/2 38	2 7/8 73	3.3740 85.7	1.3425 34.1	UC X16	T X16	11.7 11.7
UCT X17 X17-52 X17-55	3 1/4 3 7/16	85	2 7/8 73	1 7/64 28	2 1/8 54	7 25/32 198	6 13/16 173	4 7/8 124	10 1/4 260	6 3/8 162	13/32 28	6 3/16 157	1 57/64 48	1 1/2 38	2 7/8 73	3.7795 96.0	1.5630 39.7	UC X17 X17-52 X17-55	T X17	11.7 11.7 11.7

TAKE-UP TYPE UNITS

UCT3

(Cylindrical bore)

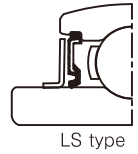
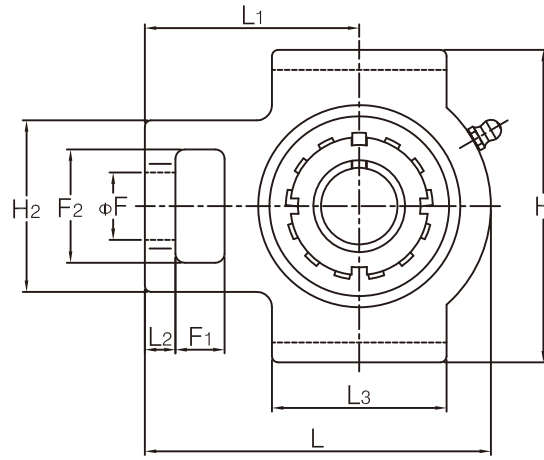
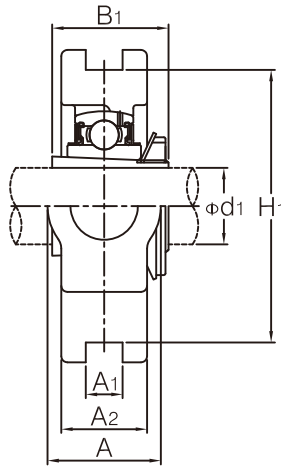


Unit No.	Shaft Dia.		Dimensions (in./mm)														Bearing No.	Housing No.	Weight (kgf)	
	d		A	A ₁	A ₂	H	H ₁	H ₂	L	L ₁	L ₂	L ₃	F	F ₁	F ₂	B				n
	(in.)	(mm)																		
UCT 305 305-16	1	25	1 ¹³ / ₃₂ 36	15 ³² / ₁₂	1 ¹³ / ₃₂ 26	3 ¹ / ₂ 89	3 ⁵ / ₃₂ 80	2 ⁷ / ₁₆ 62	4 ¹³ / ₁₆ 122	3 76	15 ³² / ₁₂	2 ⁹ / ₁₆ 65	1 ¹³ / ₃₂ 26	5/8 16	1 ¹³ / ₃₂ 36	1.4961 38	0.5906 15	UC 305 305-16	T 305	1.4 1.4
UCT 306-18 306	1 ¹ / ₈	30	1 ⁵ / ₈ 41	5/8 16	1 ³ / ₃₂ 28	3 ¹⁵ / ₁₆ 100	3 ³⁵ / ₆₄ 90	2 ³ / ₄ 70	5 ¹³ / ₃₂ 137	3 ¹¹ / ₃₂ 85	9/16 14	2 ²⁹ / ₃₂ 74	1 ⁷ / ₆₄ 28	23/32 18	1 ⁵ / ₈ 41	1.6929 43	0.6693 17	UC 306-18 306	T 306	1.8 1.8
UCT 307-20 307-22 307 307-23	1 ¹ / ₄ 1 ³ / ₈	35	1 ²⁵ / ₃₂ 45	5/8 16	1 ¹ / ₄ 32	4 ³ / ₈ 111	3 ¹⁵ / ₁₆ 100	2 ¹⁵ / ₁₆ 75	5 ²⁹ / ₃₂ 150	3 ¹¹ / ₁₆ 94	19/32 15	3 ⁵ / ₃₂ 80	1 ³ / ₁₆ 30	25/32 20	1 ²⁵ / ₃₂ 45	1.8897 48	0.7480 19	UC 307-20 307-22 307 307-23	T 307	2.3 2.3 2.3 2.3
UCT 308-24 308	1 ¹ / ₂	40	1 ³¹ / ₃₂ 50	45/64 18	1 ¹¹ / ₃₂ 34	4 ⁷ / ₈ 124	4 ¹³ / ₃₂ 112	3 ⁹ / ₃₂ 83	6 ³ / ₈ 162	3 ¹⁵ / ₁₆ 100	2 ¹ / ₃₂ 17	3 ¹ / ₂ 89	1 ¹⁷ / ₆₄ 32	7/8 22	1 ³¹ / ₃₂ 50	2.0472 52	0.7480 19	UC 308-24 308	T 308	3.0 3.0
UCT 309-28 309	1 ³ / ₄	45	2 ⁵ / ₃₂ 55	45/64 18	1 ¹ / ₂ 38	5 ⁷ / ₁₆ 138	4 ⁵⁹ / ₆₄ 125	3 ¹⁷ / ₃₂ 90	7 178	4 ¹¹ / ₃₂ 110	23/32 18	3 ¹³ / ₁₆ 97	1 ¹¹ / ₃₂ 34	15/16 24	2 ⁵ / ₃₂ 55	2.2441 57	0.8661 22	UC 309-28 309	T 309	4.1 4.1
UCT 310-31 310	1 ¹⁵ / ₁₆	50	2 ¹³ / ₃₂ 61	25/32 20	1 ⁹ / ₁₆ 40	5 ¹⁵ / ₁₆ 151	5 ³³ / ₆₄ 140	3 ²⁷ / ₃₂ 98	7 ¹⁷ / ₃₂ 191	4 ¹⁹ / ₃₂ 117	25/32 20	4 ³ / ₁₆ 106	1 ²⁹ / ₆₄ 37	1 ¹ / ₁₆ 27	2 ¹³ / ₃₂ 61	2.4015 61	0.8661 22	UC 310-31 310	T 310	4.9 4.9
UCT 311-32 311	2	55	2 ¹⁹ / ₃₂ 66	55/64 22	1 ²³ / ₃₂ 44	6 ¹³ / ₃₂ 163	5 ²⁹ / ₃₂ 150	4 ¹ / ₈ 105	8 ⁵ / ₃₂ 207	5 127	13/16 21	4 ¹⁷ / ₃₂ 115	1 ¹⁷ / ₃₂ 39	1 ⁵ / ₃₂ 29	2 ¹⁹ / ₃₂ 66	2.5984 66	0.9842 25	UC 311-32 311	T 311	6.1 6.1
UCT 312		60	2 ²⁵ / ₃₂ 71	55/64 22	1 ¹³ / ₁₆ 46	7 178	6 ¹⁹ / ₆₄ 160	4 ⁷ / ₁₆ 113	8 ²¹ / ₃₂ 220	5 ⁵ / ₁₆ 135	29/32 23	4 ²⁷ / ₃₂ 123	1 ³⁹ / ₆₄ 41	1 ⁷ / ₃₂ 31	2 ²⁵ / ₃₂ 71	2.7953 71	1.0236 26	UC 312	T 312	7.6
UCT 313-40 313	2 ¹ / ₂	65	3 ⁵ / ₃₂ 80	1 ¹³ / ₃₂ 26	1 ³¹ / ₃₂ 50	7 ¹⁵ / ₃₂ 190	6 ¹¹ / ₁₆ 170	4 ⁹ / ₁₆ 116	9 ⁵ / ₈ 238	5 ³ / ₄ 146	25 134	5 ⁹ / ₃₂ 43	1 ¹¹ / ₄ 32	2 ²⁵ / ₃₂ 71	2.9528 75	1.1811 30	UC 313-40 313	T 313	9.3 9.3	
UCT 314-44 314	2 ³ / ₄	70	3 ¹⁷ / ₃₂ 90	1 ¹³ / ₃₂ 26	2 ¹ / ₁₆ 52	7 ¹⁵ / ₁₆ 202	7 ³ / ₃₂ 180	5 ¹ / ₈ 130	9 ²⁹ / ₃₂ 252	6 ³ / ₃₂ 155	25 140	5 ¹ / ₂ 140	1 ¹³ / ₁₆ 46	1 ¹³ / ₃₂ 36	3 ¹¹ / ₃₂ 85	3.0709 78	1.2992 33	UC 314-44 314	T 314	11.1 11.1
UCT 315 315-48	3	75	3 ¹⁷ / ₃₂ 90	2 ⁵ / ₃₂ 26	8 ¹ / ₂ 216	8 ¹ / ₂ 216	5 ³ / ₁₆ 192	10 ⁵ / ₁₆ 132	6 ⁵ / ₁₆ 262	6 ⁵ / ₁₆ 160	25 150	5 ²⁹ / ₃₂ 150	1 ¹³ / ₁₆ 46	1 ¹³ / ₃₂ 36	3 ¹¹ / ₃₂ 85	3.2283 82	1.2598 32	UC 315 315-48	T 315	13 13
UCT 316		80	4 ¹ / ₃₂ 102	1 ³ / ₁₆ 30	2 ³ / ₈ 60	9 ¹ / ₁₆ 230	8 ¹ / ₃₂ 204	5 ²⁹ / ₃₂ 150	11 ³ / ₃₂ 282	6 ²⁷ / ₃₂ 174	1 ³ / ₃₂ 28	6 ⁵ / ₁₆ 160	2 ³ / ₃₂ 53	1 ²¹ / ₃₂ 42	3 ²⁷ / ₃₂ 98	3.3858 86	1.3386 34	UC 316	T 316	16.2
UCT 317		85	4 ¹ / ₃₂ 102	1 ¹⁷ / ₆₄ 32	2 ¹⁷ / ₃₂ 64	9 ⁷ / ₁₆ 240	8 ²⁷ / ₆₄ 214	5 ³¹ / ₃₂ 152	11 ²³ / ₃₂ 298	7 ⁷ / ₃₂ 183	1 ³ / ₁₆ 30	6 ¹¹ / ₁₆ 170	2 ³ / ₃₂ 53	1 ²¹ / ₃₂ 42	3 ²⁷ / ₃₂ 98	3.7795 96	1.5748 40	UC 317	T 317	19
UCT 318-56 318	3 ¹ / ₂	90	4 ¹¹ / ₃₂ 110	1 ¹⁷ / ₆₄ 32	2 ¹⁹ / ₃₂ 66	10 ¹ / ₃₂ 255	8 ³¹ / ₃₂ 228	5 ⁵ / ₁₆ 160	12 ⁹ / ₃₂ 312	7 ⁹ / ₁₆ 192	1 ³ / ₁₆ 30	6 ⁷ / ₈ 175	2 ¹ / ₄ 57	1 ¹³ / ₁₆ 46	4 ³ / ₁₆ 106	3.7795 96	1.5748 40	UC 318-56 318	T 318	21.6 21.6
UCT 319		95	4 ¹¹ / ₃₂ 110	1 ³ / ₈ 35	2 ²⁷ / ₃₂ 72	10 ⁵ / ₈ 270	9 ²⁹ / ₆₄ 240	6 ¹ / ₂ 165	12 ¹¹ / ₁₆ 322	7 ³ / ₄ 197	1 ⁷ / ₃₂ 31	7 ³ / ₃₂ 180	2 ¹ / ₄ 57	1 ¹³ / ₁₆ 46	4 ³ / ₁₆ 106	4.0551 103	1.6142 41	UC 319	T 319	24.9
UCT 320 320-64	4	100	4 ²³ / ₃₂ 120	1 ³ / ₈ 35	2 ¹⁵ / ₁₆ 75	11 ¹³ / ₃₂ 290	10 ¹⁵ / ₆₄ 260	6 ⁷ / ₈ 175	13 ¹⁹ / ₃₂ 345	8 ⁹ / ₃₂ 210	1 ¹ / ₄ 32	7 ⁷ / ₈ 200	2 ²¹ / ₆₄ 59	1 ⁷ / ₈ 48	4 ¹⁷ / ₃₂ 115	4.2519 108	1.6535 42	UC 320 320-64	T 320	30.7 30.7
UCT 321		105	4 ²³ / ₃₂ 120	1 ³ / ₈ 35	2 ¹⁵ / ₁₆ 75	11 ¹³ / ₃₂ 290	10 ¹⁵ / ₆₄ 260	6 ⁷ / ₈ 175	13 ¹⁹ / ₃₂ 345	8 ⁹ / ₃₂ 210	1 ¹ / ₄ 32	7 ⁷ / ₈ 200	2 ²¹ / ₆₄ 59	1 ⁷ / ₈ 48	4 ¹⁷ / ₃₂ 115	4.4062 112	1.7343 44	UC 321	T 321	36.7
UCT 322		110	5 ¹ / ₈ 130	1 ¹ / ₂ 38	3 ⁵ / ₃₂ 80	12 ¹⁹ / ₃₂ 320	11 ⁷ / ₃₂ 285	7 ⁹ / ₃₂ 185	15 ⁵ / ₃₂ 385	9 ¹ / ₄ 235	3 ^{8 38}	8 ¹⁵ / ₃₂ 215	2 ⁹ / ₁₆ 65	2 ¹ / ₁₆ 52	4 ²⁹ / ₃₂ 125	4.6063 117	1.8110 46	UC 322	T 322	39.7
UCT 324		120	5 ¹ / ₂ 140	1 ⁴⁹ / ₆₄ 45	3 ¹⁷ / ₃₂ 90	13 ³¹ / ₃₂ 355	12 ¹⁹ / ₃₂ 320	8 ⁹ / ₃₂ 210	10 ¹ / ₂ 432	10 ¹ / ₂ 267	1 ⁴ / ₂ 42	9 ¹ / ₁₆ 230	2 ³ / ₄ 70	2 ³ / ₈ 60	5 ¹ / ₂ 140	4.9606 126	2.0079 51	UC 324	T 324	54.4
UCT 326 326-82	5 ¹ / ₈	130	5 ²⁹ / ₃₂ 150	1 ³¹ / ₃₂ 50	3 ¹⁵ / ₁₆ 100	15 ⁵ / ₃₂ 385	13 ²⁵ / ₃₂ 350	8 ²¹ / ₃₂ 220	18 ⁵ / ₁₆ 465	11 ⁷ / ₃₂ 285	1 ²⁵ / ₃₂ 45	9 ⁷ / ₁₆ 240	2 ⁶¹ / ₆₄ 75	2 ⁹ / ₁₆ 65	5 ²⁹ / ₃₂ 150	5.3150 135	2.1260 54	UC 326 326-82	T 326	69.3 69.3
UCT 328 328-88	5 ¹ / ₂	140	6 ³ / ₃₂ 155	1 ³¹ / ₃₂ 50	3 ¹⁵ / ₁₆ 100	16 ¹¹ / ₃₂ 415	14 ⁶¹ / ₆₄ 380	9 ¹ / ₁₆ 230	20 ⁹ / ₃₂ 515	12 ¹³ / ₃₂ 315	1 ³¹ / ₃₂ 50	10 ¹ / ₃₂ 255	3 ⁵ / ₃₂ 80	2 ³ / ₄ 70	6 ⁵ / ₁₆ 160	5.7086 145	2.3228 59	UC 328 328-88	T 328	85.1 85.1

TAKE-UP TYPE UNITS

UKT2

(Tapered bore)

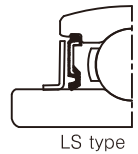
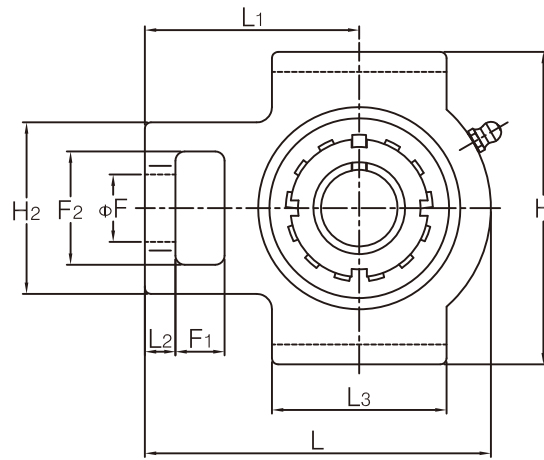
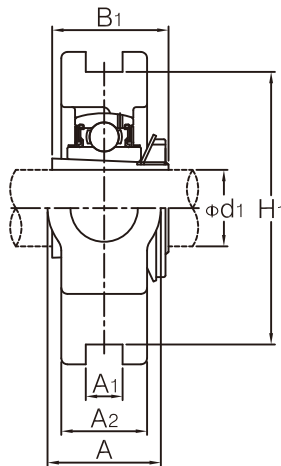


Unit No.	Shaft Dia		Dimensions (in./mm)														Bearing No.	Housing No.	Adapter Used	Weight (kgf)
	d1		A	A1	A2	H	H1	H2	L	L1	L2	L3	F	F1	F2	B1				
	(in.)	(mm)																		
UKT 205 205	3/4	20	1 1/4 32	15/32 12	15/16 24	3 1/2 89	2 63/64 76	2 51	3 13/16 97	2 7/16 62	13/32 10	2 51	3/4 19	5/8 16	1 1/4 32	1 3/8 35	UK 205	T 205	HE2305 H 2305	0.88 0.88
UKT 206 206 206 206	7/8 15/16 1	25	1 15/32 37	15/32 12	1 3/32 28	4 1/32 102	3 1/2 89	2 7/32 56	4 7/16 113	2 3/4 70	13/32 10	2 1/4 57	55/64 22	5/8 16	1 15/32 37	1 1/2 38	UK 206	T 206	HS2306 HA2306 H 2306 HE2306	1.3 1.3 1.3 1.3
UKT 207 207 207	1 1/8 1 3/16	30	1 15/32 37	15/32 12	1 3/16 30	4 1/32 102	3 1/2 89	2 17/32 64	5 3/32 129	3 1/16 78	1/2 13	2 17/32 64	55/64 22	5/8 16	1 15/32 37	1 11/16 43	UK 207	T 207	HS2307 H 2307 HA2307	1.7 1.7 1.7
UKT 208 208 208	1 1/4 1 3/8	35	1 15/16 49	5/8 16	1 5/16 33	4 1/2 114	4 1/64 102	3 9/32 83	5 21/32 144	3 15/32 88	5/8 16	3 9/32 83	1 9/64 29	3/4 19	1 15/16 49	1 13/16 46	UK 208	T 208	HE2308 HS2308 H 2308	2.5 2.5 2.5
UKT 209 209 209 209	1 7/16 1 1/2 1 5/8	40	1 15/16 49	5/8 16	1 3/8 35	4 9/32 117	4 1/64 102	3 9/32 83	5 21/32 144	3 7/16 87	5/8 16	3 9/32 83	1 9/64 29	3/4 19	1 15/16 49	1 31/32 50	UK 209	T 209	HA2309 H 2309 H 2309 HS2309	2.5 2.5 2.5 2.5
UKT 210 210 210	1 11/16 1 3/4	45	1 15/16 49	5/8 16	1 15/32 37	4 9/32 117	4 1/64 102	3 9/32 83	5 7/8 149	3 17/32 90	5/8 16	3 3/8 86	1 9/64 29	3/4 19	1 15/16 49	2 5/32 55	UK 210	T 210	HA2310 HE2310 H 2310	2.7 2.7 2.7
UKT 211 211 211 211	1 7/8 1 15/16 2	50	2 17/32 64	55/64 22	1 1/2 38	5 3/4 146	5 1/8 130	4 1/32 102	6 23/32 171	4 3/16 106	3/4 19	3 3/4 95	1 3/8 35	1 25	2 17/32 64	2 5/16 59	UK 211	T 211	HS2311 HA2311 H 2311 HE2311	4.1 4.1 4.1 4.1
UKT 212 212	2 1/8	55	2 17/32 64	55/64 22	1 23/32 42	5 5/4 146	5 1/8 130	4 1/32 102	7 5/8 194	4 11/16 119	3/4 19	4 1/32 102	1 3/8 35	1 1/4 32	2 17/32 64	2 7/16 62	UK 212	T 212	HS2312 H 2312	4.8 4.8
UKT 213 213 213 213	2 3/16 2 1/4 2 3/8	60	2 3/4 70	1 1/32 26	1 23/32 44	6 9/16 167	5 15/16 151	4 3/8 111	8 13/16 224	5 13/32 137	13/16 21	4 3/4 121	1 39/64 41	1 1/4 32	2 3/4 70	2 3/16 65	UK 213	T 213	HA2313 HE2313 H 2313 HS2313	6.8 6.8 6.8 6.8
UKT 215 215 215	2 7/16 2 1/2	65	2 3/4 70	1 1/32 26	1 7/8 48	6 9/16 167	5 15/16 151	4 3/8 111	9 1/8 232	5 1/2 140	13/16 21	4 3/4 121	1 39/64 41	1 1/4 32	2 3/4 70	2 7/8 73	UK 215	T 215	HA2315 HE2315 H 2315	7.4 7.4 7.4
UKT 216 216 216	2 11/16 2 3/4	70	2 3/4 70	1 1/32 26	2 51	7 1/4 184	6 1/2 165	4 3/8 111	9 1/4 235	5 1/2 140	13/16 21	4 3/4 121	1 39/64 41	1 1/4 32	2 3/4 70	3 1/16 78	UK 216	T 216	HA2316 HE2316 H 2316	8.5 8.5 8.5
UKT 217 217 217	2 15/16	75	2 7/8 73	1 3/16 30	2 1/8 54	7 25/32 198	6 13/16 173	4 7/8 124	10 1/4 260	6 3/8 162	1 5/32 29	6 3/16 157	1 57/64 48	1 1/2 38	2 7/8 73	3 7/32 82	UK 217	T 217	HA2317 H 2317 HE2317	11.2 11.2 11.2
UKT 218		80	3 5/32 80	1 3/16 30	2 5/32 55	8 15/23 215	7 15/32 190	5 1/8 130	10 13/16 275	6 11/16 170	1 3/16 30	5 1/2 140	1 57/64 48	1 9/16 40	3 5/32 80	3 5/8 86	UK 218	T 218	H 2318	14.0

TAKE-UP TYPE UNITS

UKTX

(Tapered bore)

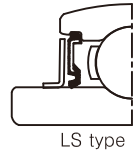
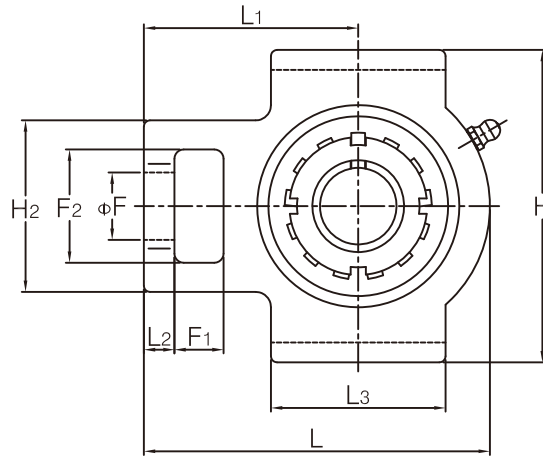
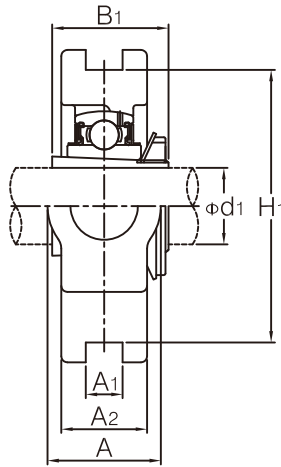


Unit No.	Shaft Dia		Dimensions (in.) (mm)														Bearing No.	Housing No.	Adapter Used	Weight (kgf)
	d ₁		A	A ₁	A ₂	H	H ₁	H ₂	L	L ₁	L ₂	L ₃	F	F ₁	F ₂	B ₁				
	(in.)	(mm)																		
UKT X05 X05	3/4	20	1 ¹⁵ / ₃₂ 37	15 ³ / ₃₂ 12	1 ³ / ₃₂ 28	4 ¹ / ₃₂ 102	3 ¹ / ₂ 89	2 ⁷ / ₃₂ 56	4 ⁷ / ₁₆ 113	2 ³ / ₄ 70	1 ³ / ₃₂ 10	2 ¹ / ₄ 57	5 ⁵ / ₆₄ 22	5 ⁸ / ₁₆ 16	1 ¹⁵ / ₃₂ 37	1 ³ / ₈ 35	UK X05	T X05	HE2305 H 2305	1.3 1.3
UKT X06 X06 X06 X06	7/8 15/16 1	25	1 ¹⁵ / ₃₂ 37	15 ³ / ₃₂ 12	1 ³ / ₁₆ 30	4 ¹ / ₃₂ 102	3 ¹ / ₂ 89	2 ¹⁷ / ₃₂ 64	5 ³ / ₃₂ 129	3 ¹ / ₁₆ 78	1/2 13	2 ¹⁷ / ₃₂ 64	5 ⁵ / ₆₄ 22	5 ⁸ / ₁₆ 16	1 ¹⁵ / ₃₂ 37	1 ¹ / ₂ 38	UK X06	T X06	HS2306 HA2306 H 2306 HE2306	1.7 1.7 1.7 1.7
UKT X07 X07 X07	1 ¹ / ₈ 1 ³ / ₁₆	30	1 ¹⁵ / ₁₆ 49	5 ⁸ / ₁₆ 16	1 ¹³ / ₃₂ 36	4 ¹ / ₂ 114	4 ¹ / ₆₄ 102	3 ⁹ / ₃₂ 83	5 ²¹ / ₃₂ 144	3 ¹⁵ / ₃₂ 88	1 ⁹ / ₃₂ 15	3 ⁹ / ₃₂ 83	1 ⁹ / ₆₄ 29	3/4 19	1 ¹⁵ / ₁₆ 49	1 ¹¹ / ₁₆ 43	UK X07	T X07	HS2307 H 2307 HA2307	2.6 2.6 2.6
UKT X08 X08 X08	1 ¹ / ₄ 1 ³ / ₈	35	1 ¹⁵ / ₁₆ 49	5 ⁸ / ₁₆ 16	1 ¹³ / ₃₂ 36	4 ¹⁹ / ₃₂ 117	4 ¹ / ₂ 102	3 ⁹ / ₃₂ 83	5 ²¹ / ₃₂ 144	3 ⁷ / ₁₆ 87	1 ⁹ / ₃₂ 15	3 ⁹ / ₃₂ 83	1 ⁹ / ₆₄ 29	3/4 19	1 ¹⁵ / ₁₆ 49	1 ¹³ / ₁₆ 46	UK X08	T X08	HE2308 HS2308 H 2308	2.6 2.6 2.6
UKT X09 X09 X09 X09	1 ⁷ / ₁₆ 1 ¹ / ₂ 1 ⁵ / ₈	40	1 ¹⁵ / ₁₆ 49	5 ⁸ / ₁₆ 16	1 ¹ / ₂ 38	4 ¹⁹ / ₃₂ 117	4 ¹ / ₆₄ 102	3 ⁹ / ₃₂ 83	5 ⁷ / ₈ 149	3 ¹⁷ / ₃₂ 90	5/8 16	3 ³ / ₈ 86	1 ⁹ / ₆₄ 29	3/4 19	1 ¹⁵ / ₁₆ 49	1 ³¹ / ₃₂ 50	UK X09	T X09	HA2309 H 2309 HS2309	2.9 2.9 2.9 2.9
UKT X10 X10 X10	1 ¹¹ / ₁₆ 1 ³ / ₄	45	2 ¹⁷ / ₃₂ 64	5 ⁵ / ₆₄ 22	1 ²¹ / ₃₂ 42	5 ³ / ₄ 146	5 ¹ / ₈ 130	4 ¹ / ₃₂ 102	6 ²³ / ₃₂ 171	4 ³ / ₁₆ 106	3/4 19	3 ³ / ₄ 95	1 ³ / ₈ 35	1 25	2 ¹⁷ / ₃₂ 64	2 ⁵ / ₃₂ 55	UK X10	T X10	HA2310 HE2310 H 2310	4.4 4.4 4.4
UKT X11 X11 X11 X11	1 ⁷ / ₈ 1 ¹⁵ / ₁₆ 2	50	2 ¹⁷ / ₃₂ 64	5 ⁵ / ₆₄ 22	1 ²¹ / ₃₂ 42	5 ³ / ₄ 146	5 ¹ / ₈ 130	4 ¹ / ₃₂ 102	7 ⁵ / ₈ 194	4 ¹¹ / ₁₆ 119	3/4 19	4 ¹ / ₃₂ 102	1 ³ / ₈ 35	1 ¹ / ₄ 32	2 ¹⁷ / ₃₂ 64	2 ⁵ / ₁₆ 59	UK X11	T X11	HS2311 HA2311 H 2311 HE2311	5.1 5.1 5.1 5.1
UKT X12 X12	2 ¹ / ₈	55	2 ³ / ₄ 70	1 ¹ / ₃₂ 26	1 ⁷ / ₈ 48	6 ⁹ / ₁₆ 167	5 ¹⁵ / ₁₆ 151	4 ³ / ₈ 111	8 ¹³ / ₁₆ 224	5 ¹³ / ₃₂ 137	1 ³ / ₁₆ 21	4 ³ / ₄ 121	1 ³⁹ / ₆₄ 41	1 ¹ / ₄ 32	2 ³ / ₄ 70	2 ⁷ / ₁₆ 62	UK X12	T X12	HS2312 H 2312	7.3 7.3
UKT X13 X13 X13 X13	2 ³ / ₁₆ 2 ¹ / ₄ 2 ³ / ₈	60	2 ³ / ₄ 70	1 ¹ / ₃₂ 26	1 ⁷ / ₈ 48	6 ⁹ / ₁₆ 167	5 ¹⁵ / ₁₆ 151	4 ³ / ₈ 111	8 ¹³ / ₁₆ 224	5 ¹³ / ₃₂ 137	1 ³ / ₁₆ 21	4 ³ / ₄ 121	1 ³⁹ / ₆₄ 41	1 ¹ / ₄ 32	2 ³ / ₄ 70	2 ⁹ / ₁₆ 65	UK X13	T X13	HA2313 HE2313 H 2313 HS2313	7.2 7.2 7.2 7.2
UKT X15 X15 X15	2 ¹ / ₂ 2 ⁵ / ₈	65	2 ³ / ₄ 70	1 ⁷ / ₆₄ 28	1 ⁷ / ₈ 48	7 ¹ / ₄ 184	6 ¹ / ₂ 165	4 ³ / ₈ 111	9 ¹ / ₄ 235	5 ¹ / ₂ 140	1 ³ / ₁₆ 21	4 ³ / ₄ 121	1 ³⁹ / ₆₄ 41	1 ¹ / ₄ 32	2 ³ / ₄ 70	2 ⁷ / ₈ 73	UK X15	T X15	HE2315 H 2315 HS2315	8.4 8.4 8.4
UKT X16 X16	2 ³ / ₄	70	2 ⁷ / ₈ 73	1 ⁷ / ₆₄ 28	2 ¹ / ₈ 54	7 ²⁵ / ₃₂ 198	6 ¹³ / ₁₆ 173	4 ⁷ / ₈ 124	10 ¹ / ₄ 260	6 ³ / ₈ 162	1 ³ / ₃₂ 28	6 ³ / ₁₆ 157	1 ⁵⁷ / ₆₄ 48	1 ¹ / ₂ 38	2 ⁷ / ₈ 73	3 ¹ / ₁₆ 78	UK X16	T X16	HE2316 H 2316	11.8 11.8
UKT X17 X17 X17 X17	2 ⁷ / ₈ 2 ¹⁵ / ₁₆ 3	75	2 ⁷ / ₈ 73	1 ⁷ / ₆₄ 28	2 ¹ / ₈ 54	7 ²⁵ / ₃₂ 198	6 ¹³ / ₁₆ 173	4 ⁷ / ₈ 124	10 ¹ / ₄ 260	6 ³ / ₈ 162	1 ³ / ₃₂ 28	6 ³ / ₁₆ 157	1 ⁵⁷ / ₆₄ 48	1 ¹ / ₂ 38	2 ⁷ / ₈ 73	3 ⁷ / ₃₂ 82	UK X17	T X17	HS2317 HA2317 H 2317 HE2317	11.4 11.4 11.4 11.4

TAKE-UP TYPE UNITS

UKT3

(Tapered bore)

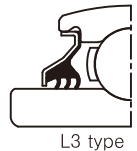
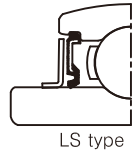
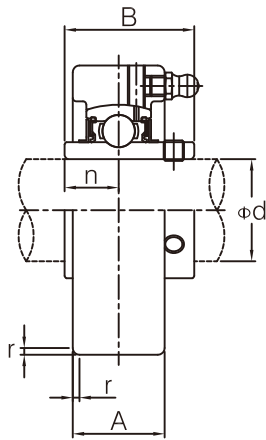


Unit No.	Shaft Dia		Dimensions (in.) (mm)													Bearing No.	Housing No.	Adapter Used	Weight (kgf)	
	d1 (in.)	(mm)	A	A1	A2	H	H1	H2	L	L1	L2	L3	F	F1	F2					B1
UKT 305	3/4	20	1 13/32	15/32	1 1/32	3 1/2	3 5/32	2 7/16	4 13/16	3	15/32	2 9/16	1 1/32	5/8	1 13/32	1.3780	UK 305	T 305	HE2305 H 2305	1.4 1.4
UKT 306	7/8	25	1 5/8	5/8	1 3/32	3 15/16	3 35/64	2 3/4	5 13/32	3 11/32	9/16	2 29/32	1 7/64	23/32	1 5/8	1.4961	UK 306	T 306	HS2306 H 2306 HE2306	1.8 1.8 1.8
UKT 307	1 1/8	35	1 25/32	5/8	1 1/4	4 3/8	3 15/16	2 15/16	5 29/32	3 11/16	19/32	3 5/32	1 3/16	25/32	1 25/32	1.6929	UK 307	T 307	HS2307 H 2307 HA2307	2.3 2.3 2.3
UKT 308	1 1/4	35	1 31/32	45/64	1 11/32	4 7/8	4 13/32	3 9/32	6 3/8	3 15/16	21/32	3 1/2	1 17/64	7/8	1 31/32	1.8110	UK 308	T 308	HE2308 H 2307 H 2308	3.0 3.0 3.0
UKT 309	1 1/2	40	2 5/32	45/64	1 1/2	5 7/16	4 59/64	3 17/32	7	4 11/32	23/32	3 13/16	1 11/31	15/16	2 5/32	1.9685	UK 309	T 309	HE2309 H 2309 HS2309	4.1 4.1 4.1
UKT 310	1 11/16	45	2 13/32	25/32	1 9/16	5 15/16	5 33/64	3 27/32	7 17/32	4 19/32	25/32	4 3/16	1 29/64	1 1/16	2 13/32	2.1654	UK 310	T 310	HA2310 HE2310 H 2310	4.9 4.9 4.9
UKT 311	1 7/8	50	2 19/32	55/64	1 23/32	6 13/32	5 29/32	4 1/8	8 5/32	5	13/16	4 17/32	1 17/32	1 5/32	2 19/32	2.3228	UK 311	T 311	HS2311 H 2311 HE2311	6.1 6.1 6.1
UKT 312	2 1/8	55	2 25/32	55/64	1 13/16	7	6 19/64	4 7/16	8 21/32	5 5/16	29/32	4 27/32	1 39/64	1 7/32	2 25/32	2.4409	UK 312	T 312	HS2312 H 2312	7.6 7.6
UKT 313	2 1/4	60	3 5/32	1 1/32	1 31/32	7 15/32	6 11/16	4 9/16	9 3/8	5 3/4	1	5 9/32	1 11/16	1 1/4	2 25/32	2.5591	UK 313	T 313	HE2313 H 2313 HS2313	9.3 9.3 9.3
UKT 315	2 1/2	65	3 17/32	1 1/32	2 5/32	8 1/2	7 9/16	5 3/16	10 5/16	6 5/16	1	5 29/32	1 13/16	1 13/32	3 11/32	2.8740	UK 315	T 315	HE2315 H 2315	13 13
UKT 316	2 3/4	70	4 1/32	1 3/16	2 3/8	9 1/16	8 1/32	5 29/32	11 3/32	6 27/32	1 3/32	6 5/16	2 3/32	1 21/32	3 27/32	3.0709	UK 316	T 316	HE2316 H 2316	16.2 16.2
UKT 317	3	75	4 1/32	1 17/64	2 17/32	9 7/16	8 27/64	5 31/32	11 23/32	7 7/32	1 3/16	6 11/16	2 3/32	1 21/32	3 27/32	3.2283	UK 317	T 317	H 2317 HE2317	19 19
UKT 318	80	4 11/32	1 17/64	2 19/32	10 1/32	8 31/32	6 5/16	12 9/32	7 9/16	1 3/16	6 7/8	2 1/4	1 13/16	4 3/16	3.3858	UK 318	T 318	H 2318	21.6	
UKT 319	3 1/4	85	4 11/32	1 3/8	2 27/32	10 5/8	9 29/64	6 1/2	12 11/16	7 3/4	1 7/32	7 3/32	2 1/4	1 13/16	4 3/16	3.5433	UK 319	T 319	HE2319 H 2319	24.9 24.9
UKT 320	3 1/2	90	4 23/32	1 3/8	2 15/16	11 13/32	10 15/64	6 7/8	13 19/32	8 9/32	1 1/4	7 7/8	2 21/64	1 7/8	4 17/32	3.8189	UK 320	T 320	HE2320 H 2320	30.7 30.7
UKT 322	4	100	5 1/8	1 1/2	3 5/32	12 19/32	11 7/32	7 9/32	15 5/32	9 1/4	1 1/2	8 5/32	2 9/16	1 21/16	4 29/32	4.1339	UK 322	T 322	H 2322 HE2322	39.7 39.7
UKT 324	4 7/16	110	5 1/2	1 49/64	3 17/32	13 31/32	12 19/32	8 9/32	17	10 1/2	1 21/32	9 1/16	2 3/4	2 3/8	5 1/2	4.4094	UK 324	T 324	H 2324 HA2324	54.4 54.4
UKT 326	4 1/2	115	5 29/32	1 31/32	3 15/16	15 5/32	13 25/32	8 21/32	18 5/16	11 7/32	1 25/32	9 7/16	2 61/64	2 9/16	5 29/32	4.7638	UK 326	T 326	HE2326 H 2326	69.3 69.3
UKT 328	4 15/16	125	6 3/32	1 31/32	3 15/16	16 11/32	14 61/64	9 1/16	20 9/32	12 13/32	1 31/32	10 1/32	3 5/32	2 3/4	6 5/16	5.1575	UK 328	T 328	H 2328 HA2328	85.1 85.1

CARTRIDGE TYPE UNITS

UCC2

(Cylindrical bore)

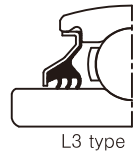
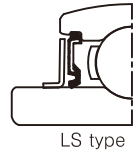
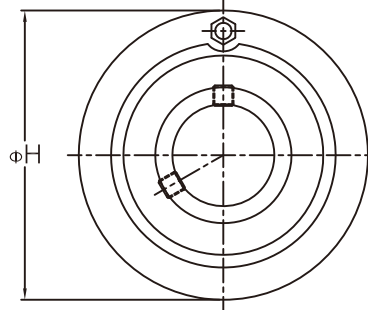
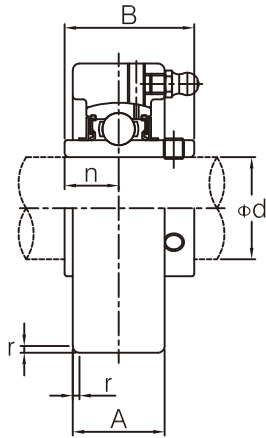


Unit No.	Shaft Dia.		Dimensions (in./mm)					Bearing No.	Housing No.	Weight (kgf)
	d (in.)	d (mm)	H	A	r	B	n			
UCC 201		12						UC 201		0.52
201-8	1/2							201-8		0.52
202		15	2.8346	25/32		1.2205	0.5000	202	C 204	0.50
202-10	5/8		72	20	1.5	31.0	12.7	202-10		0.50
203		17						203		0.49
204-12	3/4							204-12		0.47
204		20						204		0.47
UCC 205-14	7/8		3.1496	55/64		1.3425	0.5630	UC 205-14		0.64
205-15	15/16		80	22	1.5	34.1	14.3	205-15	C 205	0.64
205		25						205		0.64
205-16	1							205-16		0.64
UCC 206-18	1 1/8		3.3465	1 1/16		1.5000	0.6260	UC 206-18		0.81
206		30	85	27	1.5	38.1	15.9	206	C 206	0.81
206-19	1 3/16							206-19		0.81
206-20	1 1/4							206-20		0.81
UCC 207-20	1 1/4		3.5433	1 7/64		1.6890	0.6890	UC 207-20		0.93
207-21	1 15/16		90	28	2	42.9	17.5	207-21	C 207	0.93
207-22	1 3/8							207-22		0.93
207		35						207		0.93
207-23	1 7/16							207-23		0.93
UCC 208-24	1 1/2		3.9370	1 3/16		1.9370	0.7480	UC 208-24		1.2
208-25	1 9/16		100	30	2	49.2	19.0	208-25	C 208	1.2
208		40						208		1.2
UCC 209-26	1 5/8		4.3307	1 7/32		1.9370	0.7480	UC 209-26		1.5
209-27	1 11/16		110	31	2	49.2	19.0	209-27	C 209	1.5
209-28	1 3/4							209-28		1.5
209		45						209		1.5
UCC 210-30	1 7/8		4.7244	1 9/64		2.0315	0.7480	UC 210-30		2.0
210-31	1 15/16		120	33	2	51.6	19.0	210-31	C 210	2.0
210		50						210		2.0
210-32	2							210-32		2.0
UCC 211-32	2		4.9213	1 3/8		2.1890	0.8740	UC 211-32		2.2
211-34	2 1/8		125	35	2.5	55.6	22.2	211-34	C 211	2.2
211		55						211		2.2
211-35	2 3/16							211-35		2.2
UCC 212-36	2 1/4		5.1181	1 1/2		2.5630	1.0000	UC 212-36		2.6
212		60	130	38	2.5	65.1	25.4	212	C 212	2.6
212-38	2 3/8							212-38		2.6
212-39	2 7/16							212-39		2.6
UCC 213-40	2 1/2		5.5118	1 37/64		2.5630	1.0000	UC 213-40		3.0
213		65	140	40	2.5	65.1	25.4	213	C 213	3.0

CARTRIDGE TYPE UNITS

UCCX

(Cylindrical bore)

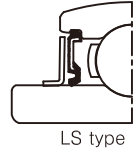
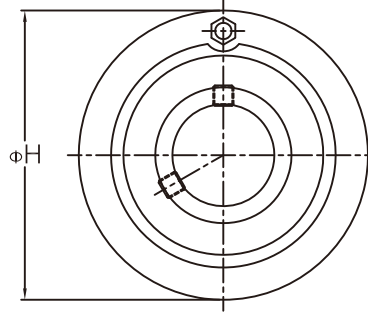
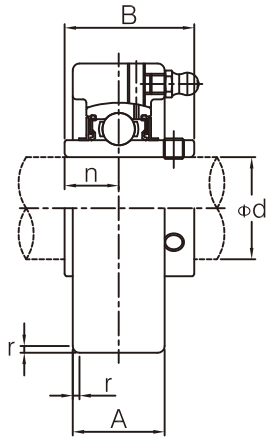


Unit No.	Shaft Dia.		Dimensions (in./mm)					Bearing No.	Housing No.	Weight (kgf)
	d (in.)	d (mm)	H	A	r	B	n			
UCC X05-13 X05-14 X05-15 X05 X05-16	13/16 7/8 15/16 1	25	3.5433 90	1 1/16 27	1.5	1.5000 38.1	0.6260 15.9	UC X05-13 X05-14 X05-15 X05 X05-16	C X05	1.0 1.0 1.0 1.0 1.0
UCC X06-17 X06-18 X06 X06-19 X06-20	1 1/16 1 1/8 1 3/16 1 1/4	30	3.9370 100	1 3/16 30	2	1.6890 42.9	0.6890 17.5	UC X06-17 X06-18 X06 X06-19 X06-20	C X06	1.3 1.3 1.3 1.3 1.3
UCC X07-20 X07-21 X07-22 X07 X07-23	1 1/4 1 5/16 1 3/8 1 7/16	35	4.3307 110	1 11/32 34	2	1.9370 49.2	0.7480 19.0	UC X07-20 X07-21 X07-22 X07 X07-23	C X07	1.7 1.7 1.7 1.7 1.7
UCC X08-24 X08-25 X08	1 1/2 1 9/16	40	4.7244 120	1 1/2 38	2	1.9370 49.2	0.7480 19.0	UC X08-24 X08-25 X08	C X08	2.1 2.1 2.1
UCC X09-26 X09-27 X09-28 X09	1 5/8 1 11/16 1 3/4	45	4.7244 120	1 1/2 38	2	2.0315 51.6	0.7480 19.0	UC X09-26 X09-27 X09-28 X09	C X09	2.2 2.2 2.2 2.2
UCC X10-30 X10-31 X10 X10-32	1 7/8 1 15/16 2	50	5.1181 130	1 37/64 40	2.5	2.1890 55.6	0.8740 22.2	UC X10-30 X10-31 X10 X10-32	C X10	2.8 2.8 2.8 2.8
UCC X11-31 X11-32 X11-34 X11 X11-35	1 15/16 2 2 1/8 2 3/16	55	5.9055 150	1 21/32 42	2.5	2.5630 65.1	1.0000 25.4	UC X11-31 X11-32 X11-34 X11 X11-35	C X11	4.0 4.0 4.0 4.0 4.0
UCC X12-36 X12 X12-37 X12-38 X12-39	2 1/4 2 5/16 2 3/8 2 7/16	60	6.2992 160	1 47/64 44	2.5	2.5630 65.1	1.0000 25.4	UC X12-36 X12 X12-37 X12-38 X12-39	C X12	4.6 4.6 4.6 4.6 4.6

CARTRIDGE TYPE UNITS

UCC3

(Cylindrical bore)

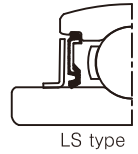
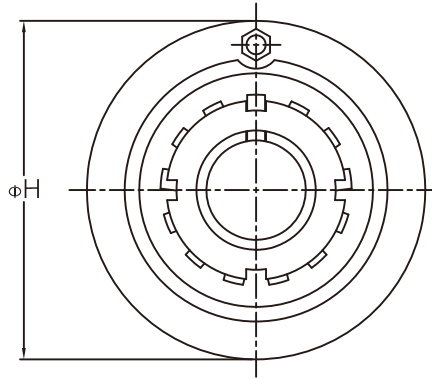
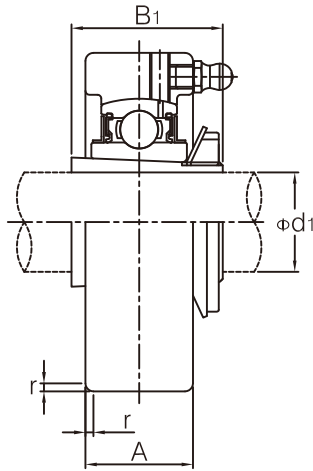


Unit No.	Shaft Dia.		Dimensions (in./mm)					Bearing No.	Housing No.	Weight (kgf)
	d (in.)	d (mm)	H	A	r	B	n			
UCC 305 305-16	1	25	3.5433 90	1 ¹¹ / ₃₂ 26	2	1.4961 38	0.5906 15	UC 305 305-16	C 305	1.5 1.5
UCC 306-18 306	1 ¹ / ₈	30	3.9370 100	1 ⁷ / ₆₄ 28	2	1.6929 43	0.6693 17	UC 306-18 306	C 306	1.7 1.7
UCC 307-20 307-22 307 307-23	1 ¹ / ₄ 1 ³ / ₈ 1 ⁷ / ₁₆	35	4.3307 110	1 ¹⁷ / ₆₄ 32	3	1.8897 48	0.7480 19	UC 307-20 307-22 307 307-23	C 307	2.2 2.2 2.2 2.2
UCC 308-24 308	1 ¹ / ₂	40	4.7244 120	1 ¹¹ / ₃₂ 34	3	2.0472 52	0.7480 19	UC 308-24 308	C 308	2.2 2.2
UCC309-28 309	1 ³ / ₄	45	5.1181 130	1 ¹ / ₂ 38	3	2.2441 57	0.8661 22	UC 309-28 309	C 309	2.8 2.8
UCC 310-31 310	1 ¹⁵ / ₁₆	50	5.5118 140	1 ³⁷ / ₆₄ 40	3	2.4015 61	0.8661 22	UC 310-31 310	C 310	3.2 3.2
UCC 311-32 311	2	55	5.9055 150	1 ⁴⁷ / ₆₄ 44	3	2.5984 66	0.9842 25	UC 311-32 311	C 311	3.9 3.9
UCC 312		60	6.2992 160	1 ¹³ / ₁₆ 46	3	2.7953 71	1.0236 26	UC 312	C 312	4.8
UCC 313-40 313	2 ¹ / ₂	65	6.6929 170	1 ³¹ / ₃₂ 50	3	2.9528 75	1.1811 30	UC 313-40 313	C 313	5.7 5.7
UCC 314-44 314	2 ³ / ₄	70	7.0866 180	1 ³ / ₆₄ 52	3	3.0709 78	1.2992 33	UC 314-44 314	C 314	6.7 6.7
UCC 315 315-48	3	75	7.4803 190	2 ¹¹ / ₆₄ 55	4	3.2283 82	1.2598 32	UC 315 315-48	C 315	7.8 7.8
UCC 316		80	7.8740 200	2 ²³ / ₆₄ 60	4	3.3858 86	1.3386 34	UC 316	C 316	9.2
UCC 317		85	8.4646 215	2 ³³ / ₆₄ 64	4	3.7795 96	1.5748 40	UC 317	C 317	11.7
UCC 318-56 318	3 ¹ / ₂	90	8.8583 225	2 ¹⁹ / ₃₂ 66	4	3.7795 96	1.5748 40	UC 318-56 318	C 318	13.1 13.1
UCC 319		95	9.4488 240	2 ⁵³ / ₆₄ 72	4	4.0551 103	1.6142 41	UC 319	C 319	15.8
UCC 320 320-64	4	100	10.2362 260	2 ⁶¹ / ₆₄ 75	4	4.2519 108	1.6535 42	UC 320 320-64	C 320	19.6 19.6
UCC 321		105	10.2362 260	2 ⁶¹ / ₆₄ 75	4	4.4094 112	1.7323 44	UC 321	C 321	27.0
UCC 322		110	11.8110 300	3 ⁵ / ₃₂ 80	5	4.6063 117	1.8110 46	UC 322	C 322	29.2
UCC 324		120	12.5984 320	3 ³⁵ / ₆₄ 90	5	4.9606 126	2.0079 51	UC 324	C 324	35.9
UCC 326 326-82	5 ¹ / ₈	130	13.3858 340	3 ¹⁵ / ₁₆ 100	6	5.3150 135	2.1260 54	UC 326 326-82	C 326	43.0 43.0
UCC 328 328-88	5 ¹ / ₂	140	14.1732 360	3 ¹⁵ / ₁₆ 100	6	5.7086 145	2.3228 59	UC 328 328-88	C 328	52.9 52.9

CARTRIDGE TYPE UNITS

UKC2

(Tapered bore)

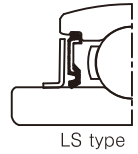
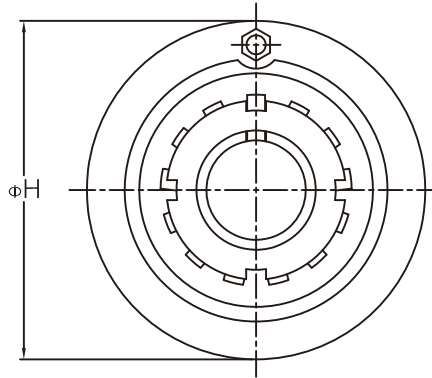
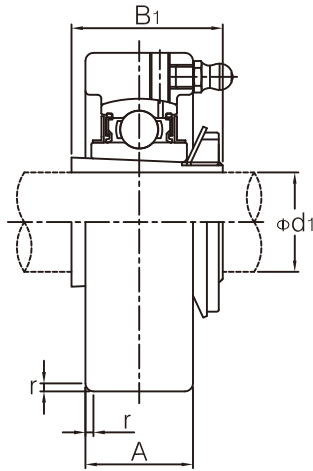


Unit No.	Shaft Dia.		Dimensions (in./mm)				Bearing No.	Housing No.	Adapter Used	Weight (kgf)
	d1		H	A	r	B1				
	(in.)	(mm)								
UKC 205 205	3/4	20	3.1496 80	55/64 22	1.5	13/8 35	UK 205	C 205	HE 2305 H 2305	0.68 0.68
UKC 206 206 206 206	7/8 15/16 1	25	3.3465 85	11/16 27	1.5	11/2 38	UK 206	C 206	HS 2306 HA 2306 H 2306 HE 2306	0.85 0.85 0.85 0.85
UKC 207 207 207	1 1/8 1 3/16	30	3.5433 90	1 7/64 28	2	1 11/16 43	UK 207	C 207	HS 2307 H 2307 HA 2307	0.97 0.97 0.97
UKC 208 208 208	1 1/4 1 3/8	35	3.9370 100	1 7/64 28	2	1 13/16 46	UK 208	C 208	HE 2308 HS 2308 H 2308	1.3 1.3 1.3
UKC 209 209 209 209	1 7/16 1 1/2 1 5/8	40	4.3307 110	1 7/32 31	2	1 31/32 50	UK 209	C 209	HA 2309 HE 2309 H 2309 HS 2309	1.6 1.6 1.6 1.6
UKC 210 210 210	1 11/16 1 3/4	45	4.7244 120	1 19/64 33	2	2 5/32 55	UK 210	C 210	HA 2310 HE 2310 H 2310	2.0 2.0 2.0
UKC 211 211 211 211	1 7/8 1 15/16 2	50	4.9213 125	1 3/8 35	2.5	2 5/16 59	UK 211	C 211	HS 2311 HA 2311 H 2311 HE 2311	2.3 2.3 2.3 2.3
UKC 212 212	2 1/8	55	5.1181 130	1 1/2 38	2.5	2 7/16 62	UK 212	C 212	HS 2312 H 2312	2.5 2.5
UKC 213 213 213 213	2 3/16 2 1/4 2 3/8	60	5.5118 140	1 37/64 40	2.5	2 9/16 65	UK 213	C 213	HA 2313 HE 2313 H 2313 HS 2313	3.0 3.0 3.0 3.0

CARTRIDGE TYPE UNITS

UKCX

(Tapered bore)

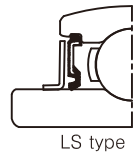
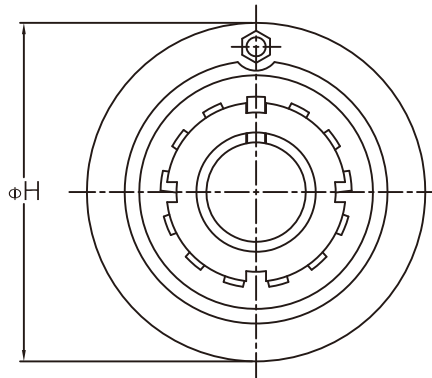
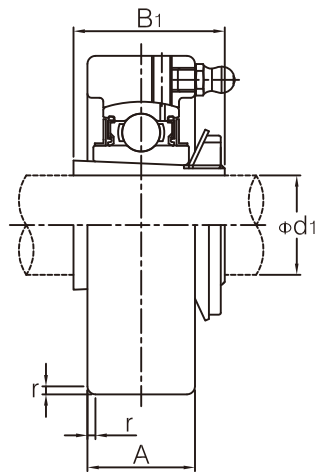


Unit No.	Shaft Dia.		Dimensions (in./mm)				Bearing No.	Housing No.	Adapter Used	Weight (kgf)
	d1		H	A	r	B1				
	(in.)	(mm)								
UKC X05 X05	3/4	20	3.5433	1 1/16	1.5	1 3/8	UK X05	C X05	HE 2305 H 2305	0.99
			90	27		35				0.99
UKC X06 X06 X06 X06	7/8	25	3.9370	1 3/16	2	1 1/2	UK X06	C X06	HS 2306 HA 2306 H 2306 HE 2306	1.3
	15/16		100	30		38				1.3
	1									1.3
										1.3
UKC X07 X07 X07	1 1/8	30	4.3307	1 11/32	2	1 11/16	UK X07	C X07	HS 2307 H 2307 HA 2307	1.7
	1 3/16		110	34		43				1.7
										1.7
UKC X08 X08 X08	1 1/4	35	4.7244	1 1/2	2	1 13/16	UK X08	C X08	HE 2308 HS 2308 H 2308	2.3
	1 3/8		120	38		46				2.3
										2.3
UKC X09 X09 X09 X09	1 7/16	40	4.7244	1 1/2	2	1 31/32	UK X09	C X09	HA 2309 HE 2309 H 2309 HS 2309	2.3
	1 1/2		120	38		50				2.3
	1 5/8									2.3
										2.3
UKC X10 X10 X10	1 11/16	45	5.1181	1 37/64	2.5	2 5/32	UK X10	C X10	HA 2310 HE 2310 H 2310	2.8
	1 3/4		130	40		55				2.8
										2.8
UKC X11 X11 X11 X11	1 7/8	50	5.9055	1 21/32	2.5	2 5/16	UK X11	C X11	HS 2311 HA 2311 H 2311 HE 2311	3.8
	1 15/16		150	42		59				3.8
	2									3.8
										3.8
UKC X12 X12	2 1/8	55	6.2992	1 47/64	2.5	2 7/16	UK X12	C X12	HS 2312 H 2312	4.4
			160	44		62				4.4

CARTRIDGE TYPE UNITS

UKC3

(Tapered bore)

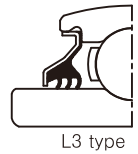
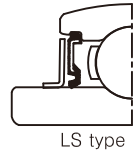
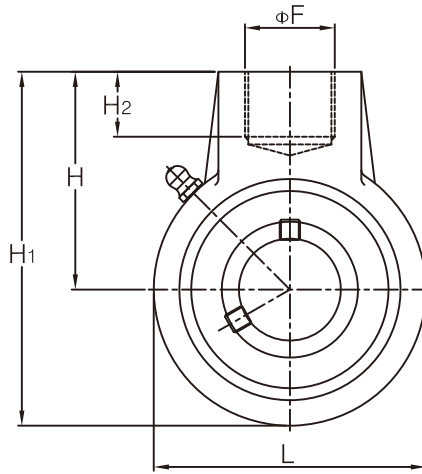
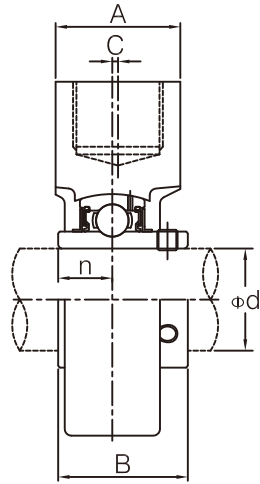


Unit No.	Shaft Dia.		Dimensions (in./mm)				Bearing No.	Housing No.	Adapter Used	Weight (kgf)
	d1		H	A	r	B1				
	(in.)	(mm)								
UKC 305 305	3/4	20	3.5433 90	1 1/32 26	2	1.3780 35	UK 305	C 305	HE 2305 H 2305	1.5 1.5
UKC 306 306 306	7/8	25	3.9370 100	1 7/64 28	2	1.4961 38	UK 306	C 306	HS 2306 H 2306 HE 2306	1.7 1.7 1.7
UKC 307 307 307	1 1/4	30	4.3307 110	1 17/64 32	3	1.6929 43	UK 307	C 307	HS 2307 H 2307 HA 2307	2.2 2.2 2.2
UKC 308 308 308	1 1/4	35	4.7244 120	1 11/32 34	3	1.8110 46	UK 308	C 308	HE 2308 HS 2308 H 2308	2.2 2.2 2.2
UKC 309 309 309	1 1/2	40	5.1181 130	1 1/2 38	3	1.9685 50	UK 309	C 309	HE 2309 H 2309 HS 2309	2.8 2.8 2.8
UKC 310 310 310	1 11/16	45	5.5118 140	1 37/64 40	3	2.1654 55	UK 310	C 310	HA 2310 HE 2310 H 2310	3.2 3.2 3.2
UKC 311 311 311	1 7/8	50	5.9055 150	1 47/64 44	3	2.3228 59	UK 311	C 311	HS 2311 H 2311 HE 2311	3.9 3.9 3.9
UKC 312 312	2 1/8	55	6.2992 160	1 13/16 46	3	2.4409 62	UK 312	C 312	HS 2312 H 2312	4.8 4.8
UKC 313 313 313	2 1/4	60	6.6929 170	1 31/32 50	3	2.5591 65	UK 313	C 313	HE 2313 H 2313 HS 2313	5.7 5.7 5.7
UKC 315 315	2 1/2	65	7.4803 190	2 11/64 55	4	2.8740 73	UK 315	C 315	HE 2315 H 2315	7.8 7.8
UKC 316 316	2 3/4	70	7.8740 200	2 23/64 60	4	3.0709 78	UK 316	C 316	HE 2316 H 2316	9.2 9.2
UKC 317 317	3	75	8.4646 215	2 33/64 64	4	3.2283 82	UK 317	C 317	H 2317 HE 2317	11.7 11.7
UKC 318		80	8.8583 225	2 19/32 66	4	3.3858 86	UK 318	C 318	H 2318	13.1
UKC 319 319	3 1/4	85	9.4488 240	2 53/64 72	4	3.5433 90	UK 319	C 319	HE 2319 H 2319	15.8 15.8
UKC 320 320	3 1/2	90	10.2362 260	2 51/64 75	4	3.8189 97	UK 320	C 320	HE 2320 H 2320	19.6 19.6
UKC 322 322	4	100	11.8110 300	3 5/32 80	5	4.1339 105	UK 322	C 322	H 2322 HE 2322	29.2 29.2
UKC 324 324	4 7/16	110	12.5984 320	3 35/64 90	5	4.4094 112	UK 324	C 324	H 2324 HA 2324	35.9 35.9
UKC 326 326	4 1/2	115	13.3858 340	3 5/16 100	6	4.7638 121	UK 326	C 326	HE 2326 H 2326	43.0 43.0
UKC 328 328	4 5/16	125	14.1732 360	3 5/16 100	6	5.1575 131	UK 328	C 328	H 2328 HA 2328	52.9 52.9

HANGER TYPE UNITS

UCHA2

(Cylindrical bore)



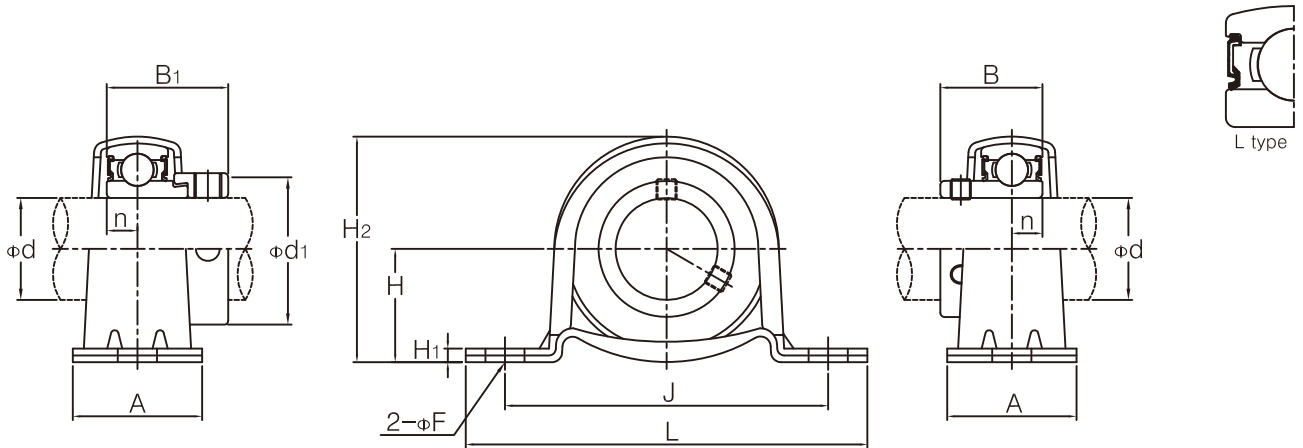
Unit No.	Shaft Dia.		Dimensions (in./mm)									Bearing No.	Housing No.	Weight (kgf)
	d		H	A	L	H ₁	H ₂	F	C	B	n			
	(in.)	(mm)												
UCHA 201	1/2	12										UC 201		0.77
201-8												201-8		0.77
202		15										202		0.75
202-10	5/8	17	2 ³³ / ₆₄	1 ⁹ / ₁₆	2 ¹⁷ / ₃₂	3 ²⁵ / ₃₂	3/4	PF 3/4	0	1.2205	0.5000	202-10	HA 204	0.75
203			64	40	64	96	19			31.0	12.7	203		0.74
203-11	11/16											203-11		0.74
204-12	3/4											204-12		0.72
204		20										204		0.72
UCHA 205-13	13/16											UC 205-13		0.87
205-14	7/8											205-14		0.87
205-15	15/16		2 ³³ / ₆₄	1 ⁹ / ₁₆	3 ¹ / ₁₆	4 ¹ / ₁₆	3/4	PF 3/4	0	1.3425	0.5630	205-15	HA 205	0.87
205		25	64	40	78	103	19			34.1	14.3	205		0.87
205-16	1											205-16		0.87
UCHA 206-17	11/16											UC 206-17		0.83
206-18	11/8											206-18		0.83
206		30	2 ³³ / ₆₄	1 ⁹ / ₁₆	3 ⁵ / ₃₂	4 ³ / ₃₂	3/4	PF 3/4	0	1.5000	0.6260	206	HA 206	0.83
206-19	13/16		64	40	80	104	19			38.1	15.9	206-19		0.83
206-20	11/4											206-20		0.83
UCHA 207-20	11/4											UC 207-20		1.2
207-21	15/16											207-21		1.2
207-22	13/8		2 ³ / ₄	1 ⁹ / ₁₆	3 ⁵ / ₈	4 ⁹ / ₁₆	3/4	PF 3/4	0	1.6890	0.6890	207-22	HA 207	1.2
207		35	70	40	92	116	19			42.9	17.5	207		1.2
207-23	17/16											207-23		1.2
UCHA 208-24	11/2											UC 208-24		1.3
208-25	19/16											208-25		1.3
208		40	2 ⁷ / ₈	1 ⁹ / ₁₆	3 ¹⁵ / ₁₆	4 ²⁷ / ₃₂	3/4	PF 3/4	5/64	1.9370	0.7480	208	HA 208	1.3
			73	40	100	123	19		2	49.2	19.0			
UCHA 209-26	15/8											UC 209-26		1.7
209-27	111/16											209-27		1.7
209-28	13/4		3 ¹⁵ / ₆₄	1 ⁷ / ₈	4 ¹ / ₄	5 ¹¹ / ₃₂	13/16	PF 1	13/64	1.9370	0.7480	209-28	HA 209	1.7
209		45	82	48	108	136	21		5	49.2	19.0	209		1.7
UCHA 210-29	113/16											UC 210-29		2.1
210-30	17/8											210-30		2.1
210-31	115/16											210-31	HA 210	2.1
210		50	3 ¹⁷ / ₆₄	1 ⁷ / ₈	4 ²¹ / ₃₂	5 ¹⁹ / ₃₂	13/16	PF 1	13/64	2.0315	0.7480	210		2.1
210-32	2		83	48	118	142	21		5	51.6	19.0	210-32		2.1
UCHA 211-31	115/16											UC 211-31		2.8
211-32	2											211-32		2.8
211-34	21/8		3 ³ / ₄	2 ³ / ₈	4 ³¹ / ₃₂	5 ²⁹ / ₃₂	1	PF 11/4	9/32	2.1890	0.8740	211-34	HA 211	2.8
211		55	95	60	126	150	25		7	55.6	22.2	211		2.8
211-35	23/16											211-35		2.8
UCHA 212-36	21/4											UC 212-36		3.9
212		60	4 ¹ / ₆₄	2 ³ / ₈	5 ¹⁹ / ₃₂	6 ¹³ / ₁₆	13/32	PF 11/4	23/64	2.5630	1.0000	212	HA 212	3.9
212-37	25/16		102	60	142	173	28		9	65.1	25.4	212-37		3.9
212-38	23/8											212-38		3.9
212-39	27/16											212-39		3.9
UCHA 213-40	21/2											UC 213-40		5.8
213		65	4 ³⁹ / ₆₄	2 ³ / ₄	6 ¹⁷ / ₃₂	7 ⁷ / ₈	11/4	PF 11/2	3/8	2.5630	1.0000	213	HA 213	5.8
			117	70	166	200	32		9.5	65.1	25.4			
UCHA 214-43	211/16											UC 214-43		5.9
214-44	23/4											214-44	HA 214	5.9
214		70	4 ³⁹ / ₆₄	2 ³ / ₄	6 ¹⁷ / ₃₂	7 ⁷ / ₈	11/4	PF 11/2	3/8	2.9371	1.1890	214		5.9
			117	70	166	200	32		9.5	74.6	30.2			
UCHA 215-46	27/8											UC 215-46		5.6
215-47	215/16											215-47	HA 215	5.6
215		75	4 ³⁹ / ₆₄	2 ³ / ₄	6 ¹⁷ / ₃₂	7 ⁷ / ₈	11/4	PF 11/2	3/8	3.0630	1.3110	215		5.6
215-48	3		117	70	166	200	32		9.5	77.8	33.3	215-48		5.6

PRESSED STEEL PILLOW BLOCK TYPE UNITS

SAPP2 SBPP2

(Cylindrical bore)

SAPP2(With eccentric locking collar), SBPP2(Set screw locking)



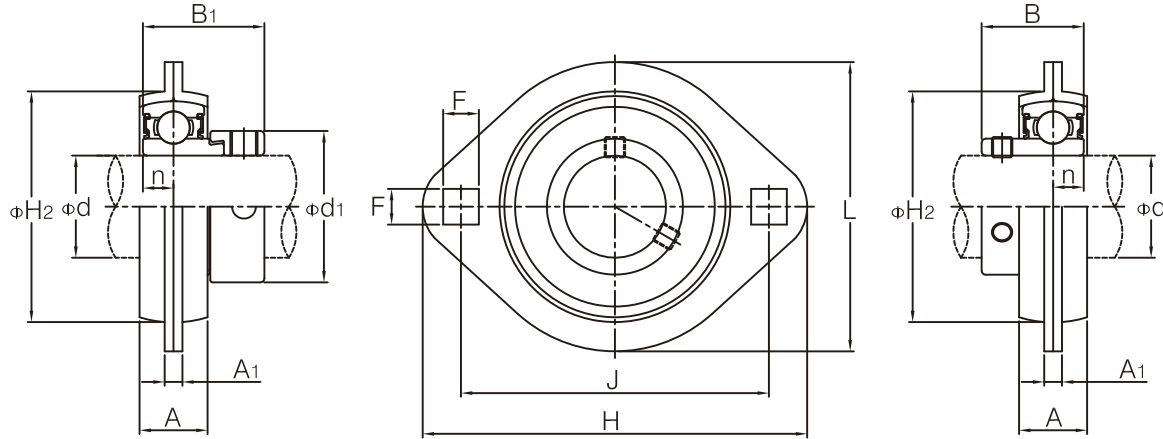
Unit No.	Shaft Dia.		Dimensions (in./mm)									Bolt used		S A P P				S B P P			Housing No.
	d (in.)	d (mm)	H	L	A	J	F	H1	H2	n	(mm)	(in.)	B1	d1	Bearing No.	Weight (kgf)	B	Bearing No.	Weight (kgf)		
SAPP SBPP 201		12													SA 201	0.19		SB 201	0.16	PP 203	
201-8	1/2													201-8	0.19		201-8	0.16			
202		15	7/8	33/8	63/64	243/64	3/8	1/8	123/32	0.2560	8	5/16	1.1260	1.1260	202	0.19	0.8858	202	0.16		
202-10	5/8		22.2	86	25	68	9.5	3.2	43.8	6.5			28.6	28.6	202-10	0.19		202-10	0.16		
203		17													203	0.19		203	0.16		
203-11	11/16														203-11	0.19		203-11	0.16		
SAPP SBPP 204	3/4	20	1	327/32	11/4	263/64	3/8	1/8	163/64	0.2953	8	5/16	1.2204	1.3110	SA 204-12	0.23	1.0039	SB 204-12	0.23	PP 204	
204			25.4	98	32	76	9.5	3.2	50.5	7.5			31.0	33.3	204	0.23	25.5	204	0.23		
SAPP SBPP 205	13/16	25	1 1/8	4 1/4	1 1/4	3 25/64	29/64	5/32	2 15/64	0.2953	10	3/8	1.2204	1.5000	SA 205-13	0.32	1.0630	SB 205-13	0.28	PP 205	
205-14	7/8													205-14	0.32		205-14	0.28			
205-15	15/16		28.6	108	32	86	11.5	4.0	56.6	7.5			31.0	38.1	205-15	0.32	27.0	205-15	0.28		
205															205	0.32		205	0.28		
205-16	1														205-16	0.32		205-16	0.28		
SAPP SBPP 206	1 1/16	30	1 5/16	4 19/32	1/2	3 21/32	29/64	5/32	2 39/64	0.3543	10	3/8	1.4055	1.7520	SA 206-17	0.50	1.1811	SB 206-17	0.47	PP 206	
206-18	1 1/8													206-18	0.50		206-18	0.47			
206			33.3	117	38	95	11.5	4.0	66.3	9.0			35.7	44.5	206	0.50	30.0	206	0.47		
206-19	1 3/16														206-19	0.50		206-19	0.47		
206-20	1 1/4														206-20	0.50		206-20	0.47		
SAPP SBPP 207	1 1/4	35	1 9/16	5 5/64	1 21/32	4 5/32	29/64	3/16	3 1/8	0.3740	10	3/8	1.5315	2.1890	SA 207-20	0.71	1.3780	SB 207-20	0.57	PP 207	
207-21	1 5/16													207-21	0.71		207-21	0.57			
207-22	1 3/8		39.7	129	42	106	11.5	4.6	78	9.5			38.9	55.6	207-22	0.71	35.0	207-22	0.57		
207															207	0.71		207	0.57		
207-23	1 7/16														207-23	0.71		207-23	0.57		

PRESSED STEEL OVAL FLANGE TYPE UNITS

SAPFL2 SBPFL2

(Cylindrical bore)

SAPFL2(With eccentric locking collar), SBPFL2(Set screw locking)



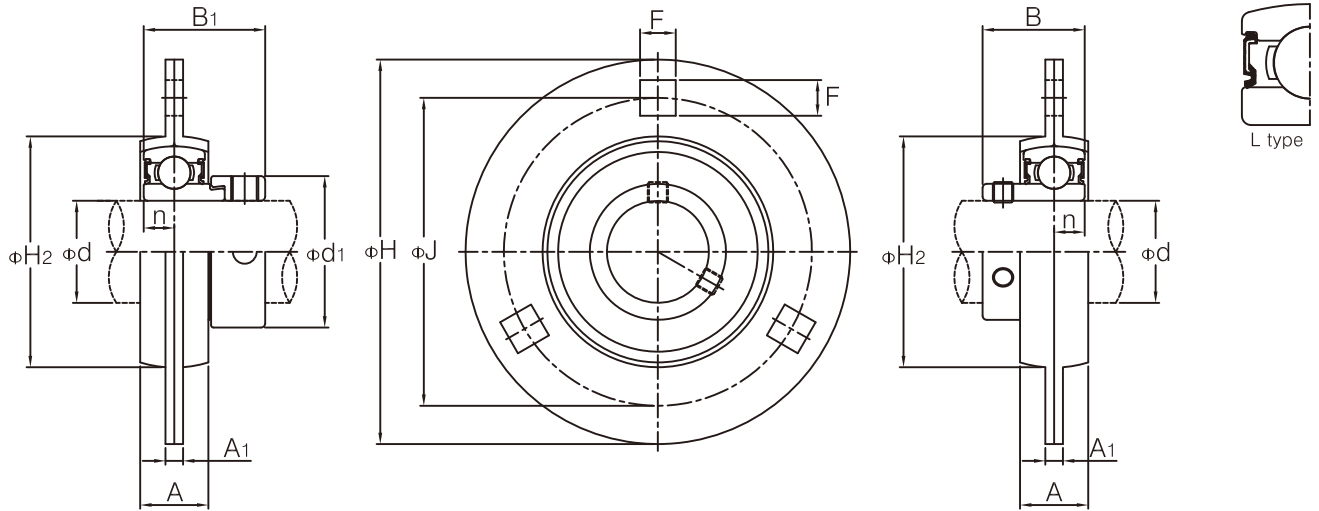
Unit No.	Shaft Dia.		Dimensions (in./mm)								Bolt used		S A P F L				S B P F L			Housing No.
	d (in.)	d (mm)	H	L	A	A ₁	J	F	H ₂	n	(mm)	(in.)	B ₁	d ₁	Bearing No.	Weight (kgf)	B	Bearing No.	Weight (kgf)	
SAPFL SBPFL 201 201-8 202 202-10 203 203-11	1/2 5/8 11/16	12 15 17	33/16 81	25/16 59	9/16 14	5/32 4	21/2 63.5	9/32 7	147/64 44	0.2560 6.5	6	1/4	1.1260 28.6	1.1260 28.6	SB 201 201-8 202 202-10 203 203-11	0.22 0.22 0.22 0.22 0.22 0.22	0.8858 22.5	SB 201 201-8 202 202-10 203 203-11	0.19 0.19 0.19 0.19 0.19 0.19	PFL 203
SAPFL SBPFL 204-12 204	3/4	20	35/64 90	25/8 67	5/8 16	5/32 4	213/16 71.5	23/64 9	2 51	0.2953 7.5	8	5/16	1.2204 31.0	1.3110 33.3	SB 204-12 204	0.24 0.24	1.0039 25.5	SB 204-12 204	0.24 0.24	PFL 204
SAPFL SBPFL 205-13 205-14 205-15 205 205-16	13/16 7/8 15/16 1	25	33/4 95	225/32 71	23/32 18	5/32 4	3 76.0	23/64 9	213/64 56	0.2953 7.5	8	5/16	1.2204 31.0	1.5000 38.1	SB 205-13 205-14 205-15 205 205-16	0.32 0.32 0.32 0.32 0.32	1.0630 27.0	SB 205-13 205-14 205-15 205 205-16	0.28 0.28 0.28 0.28 0.28	PFL 205
SAPFL SBPFL 206-17 206-18 206 206-19 206-20	11/16 11/8 13/16 11/4	30	47/16 113	35/16 84	25/32 20	13/64 5.2	39/16 90.5	7/16 11	241/64 68	0.3543 9.0	10	3/8	1.4055 35.7	1.7520 44.5	SB 206-17 206-18 206 206-19 206-20	0.41 0.41 0.41 0.41 0.41	1.1811 30.0	SB 206-17 206-18 206 206-19 206-20	0.38 0.38 0.38 0.38 0.38	PFL 206
SAPFL SBPFL 207-20 207-21 207-22 207 207-23	11/4 15/16 13/8 17/16	35	429/32 125	311/16 94	53/64 21	13/64 5.2	315/16 100	7/16 11	31/32 78	0.3740 9.5	10	3/8	1.5315 38.9	2.1890 55.6	SB 207-20 207-21 207-22 207 207-23	0.70 0.70 0.70 0.70 0.70	1.3780 35.0	SB 207-20 207-21 207-22 207 207-23	0.62 0.62 0.62 0.62 0.62	PFL 207

PRESSED STEEL ROUND FLANGE TYPE UNITS

SAPF2 SBPF2

(Cylindrical bore)

SAPF2(With eccentric locking collar), SBPF2(Set screw locking)



Unit No.	Shaft Dia.		Dimensions (in./mm)							Bolt used		S A P F				S B P F			Housing No.
	d (in.)	d (mm)	H	A	A ₁	J	F	H ₂	n	(mm)	(in.)	B ₁	d ₁	Bearing No.	Weight (kgf)	B	Bearing No.	Weight (kgf)	
SAPF SBPF 201 201-8 202 202-10 203 203-11	1/2 5/8 11/16	12 15 17												SA 201 201-8 202 202-10 203 203-11	0.30 0.30 0.30 0.30 0.30 0.30		SB 201 201-8 202 202-10 203 203-11	0.27 0.27 0.27 0.27 0.27 0.27	PF 203
SAPF SBPF 204-12 204	3/4	20	335/64 90	21/32 17	5/32 4	225/32 71	23/64 9	2 51	0.2953 7.5	8	5/16	1.2204 31.0	1.3110 33.3	SA 204-12 204	0.33 0.33	1.0039 25.5	SB 204-12 204	0.33 0.33	PF 204
SAPF SBPF 205-13 205-14 205-15 205 205-16	13/16 7/8 15/16 1	25	33/4 95	23/32 18	5/32 4	283/64 76	23/64 9	213/64 56	0.2953 7.5	8	5/16	1.2204 31.0	1.5000 38.1	SA 205-13 205-14 205-15 205 205-16	0.42 0.42 0.42 0.42 0.42	1.0630 27.0	SB 205-13 205-14 205-15 205 205-16	0.38 0.38 0.38 0.38 0.38	PF 205
SAPF SBPF 206-17 206-18 206 206-19 206-20	11/16 11/8 13/16 11/4	30	47/16 113	3/4 19	13/64 5.2	335/64 90	7/16 11	241/64 67.2	0.3543 9.0	10	3/8	1.4055 35.7	1.7520 44.5	SA 206-17 206-18 206 206-19 206-20	0.65 0.65 0.65 0.65 0.65	1.1811 30.0	SB 206-17 206-18 206 206-19 206-20	0.62 0.62 0.62 0.62 0.62	PF 206
SAPF SBPF 207-20 207-21 207-22 207 207-23	11/4 15/16 13/8 17/16	35	413/16 122	53/64 21	13/64 5.2	315/16 100	7/16 11	31/32 77.2	0.3740 9.5	10	3/8	1.5315 38.9	2.1890 55.6	SA 207-20 207-21 207-22 207 207-23	0.90 0.90 0.90 0.90 0.90	1.3780 35.0	SB 207-20 207-21 207-22 207 207-23	0.82 0.82 0.82 0.82 0.82	PF 207