

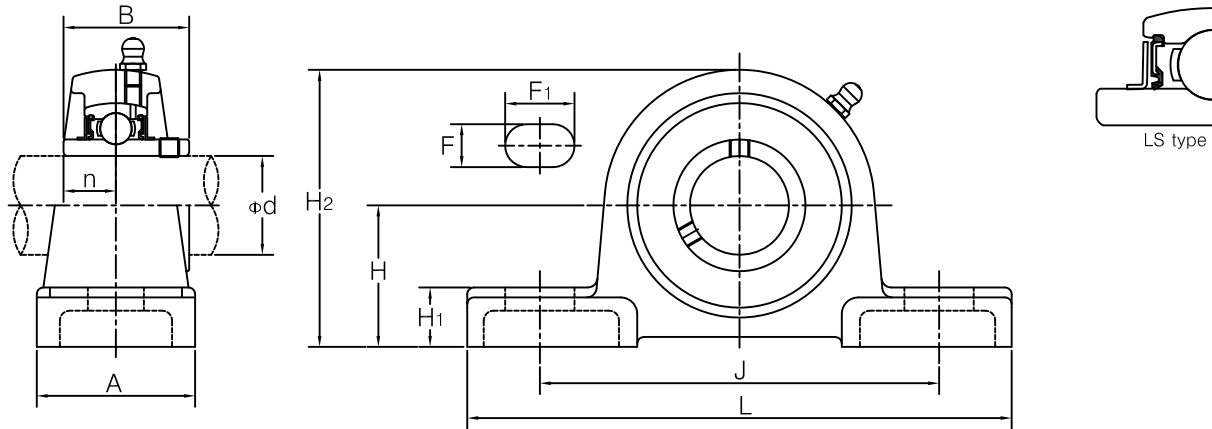
**B. Dimension table**

1. SUCP2	-----	B01
2. SUCF2	-----	B02
3. SUCFL2	-----	B03
4. SUCT2	-----	B04
5. SUC2	-----	B05

STAINLESS SERIES PILLOW BLOCK UNITS

# SUCP2

(Cylindrical bore)

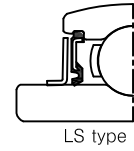
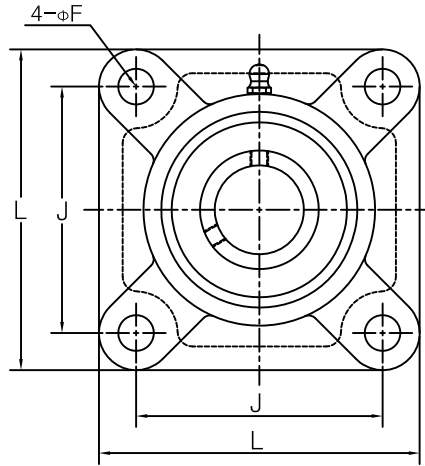
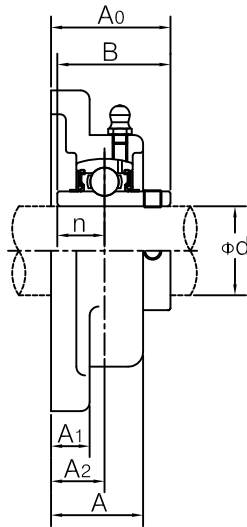


Unit No.	Shaft Dia.		Dimensions (in./mm)										Bolt used		Bearing No.	Housing No.	Weight (kgf)	
	(in.)	(mm)	H	L	A	J	F	F1	H1	H2	B	n	(mm)	(in.)				
SUCP 201	1/2	12														SUC 201		0.71
201-8																201-8		0.71
202		15														202		0.69
202-10	5/8		15/16	459/64	13/16	347/64	33/64	3/4	15/32	233/64	1.2205	0.5000	10	3/8		202-10	SP 204	0.69
203		17	33.3	125	30	95	13	19	12	64	31.0	12.7			203		0.68	
203-11	11/16															203-11		0.68
204-12	3/4															204-12		0.66
204		20														204		0.66
SUCP 205-13	13/16															SUC 205-13		0.8
205-14	7/8															205-14		0.8
205-15	15/16		17/16	533/64	117/64	49/64	33/64	3/4	33/64	23/4	1.3425	0.5630	10	3/8		205-15	SP 205	0.8
205		25	36.5	140	32	105	13	19	13	70	34.1	14.3			205		0.8	
205-16	1															205-16		0.8
SUCP 206-17	11/16															SUC 206-17		1.3
206-18	11/8															206-18		1.3
206		30	111/16	619/64	127/64	449/64	43/64	53/64	35/64	315/64	1.5000	0.6260	14	1/2		206	SP 206	1.3
206-19	13/16		42.9	160	36	121	17	21	14	82	38.1	15.9				206-19		1.3
206-20	1/4															206-20		1.3
SUCP 207-20	11/4															SUC 207-20		1.6
207-21	15/16															207-21		1.6
207-22	13/8		17/8	617/32	11/2	5	43/64	53/64	19/32	35/8	1.6890	0.6890	14	1/2		207-22	SP 207	1.6
207		35	47.6	166	38	127	17	21	15	92	42.9	17.5				207		1.6
207-23	17/16															207-23		1.6
SUCP 208-24	11/2															SUC 208-24		2.0
208-25	19/16															208-25		2.0
208		40	49.2	179	42	137	17	21	15	98	49.2	19.0	14	1/2		208	SP 208	2.0
SUCP 209-26	15/8															SUC 209-26		2.2
209-27	111/16															209-27		2.2
209-28	13/4		21/8	79/32	147/64	53/4	43/64	53/64	43/64	49/64	1.9370	0.7480	14	1/2		209-28	SP 209	2.2
209		45	54.0	185	44	146	17	21	17	105	49.2	19.0				209		2.2
SUCP 210-29	113/16															SUC 210-29		2.9
210-30	17/8															210-30		2.9
210-31	115/16		21/4	729/32	157/64	617/64	25/32	1	45/64	413/32	2.0315	0.7480	16	5/8		210-31	SP 210	2.9
210		50	57.2	201	48	159	20	25	18	112	51.6	19.0				210		2.9
210-32	2															210-32		2.9
SUCP 211-31	115/16															SUC 211-31		3.6
211-32	2															211-32		3.6
211-34	21/8		21/2	827/64	131/32	647/64	25/32	1	25/32	427/32	2.1890	0.8740	16	5/8		211-34	SP 211	3.6
211		55	63.5	214	50	171	20	25	20	123	55.6	22.2				211		3.6
211-35	23/16															211-35		3.6
SUCP 212-36	21/4															SUC 212-36		4.9
212		60														212		4.9
212-37	25/16		23/4	919/64	213/64	715/64	25/32	1	55/64	55/16	2.5630	1.0000	16	5/8		212-37	SP 212	4.9
212-38	23/8		69.8	236	56	184	20	25	22	135	65.1	25.4				212-38		4.9
212-39	27/16															212-39		4.9

STAINLESS SERIES SQUARE FLANGE TYPE UNITS

# SUCF2

(Cylindrical bore)

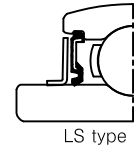
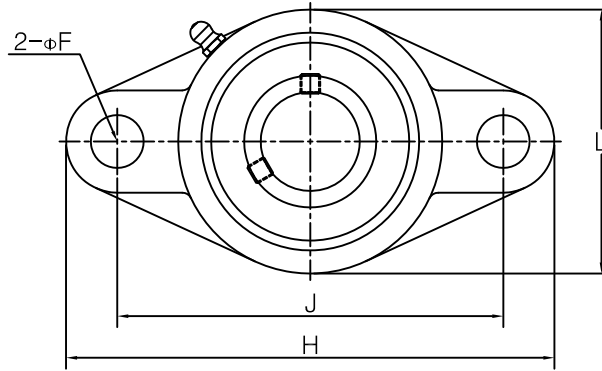
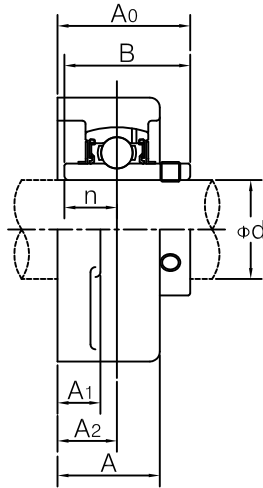


Unit No.	Shaft Dia.		Dimensions (in./mm)									Bolt used		Bearing No.	Housing No.	Weight (kgf)			
	d (in.)	d (mm)	L	A	J	F	A <sub>1</sub>	A <sub>2</sub>	A <sub>0</sub>	B	n	(mm)	(in.)						
SUCF 201		12															SUC 201		0.64
201-8	1/2	15															201-8		0.64
202		17	3/25/64	1	2/33/64	15/32	15/32	19/32	15/16	1.2205	0.5000	10	3/8				202	SF 204	0.62
202-10	5/8	17	86	25.5	64	12	12	15	33.3	31.0	12.7						202-10		0.62
203		20															203		0.61
203-11	11/16																203-11		0.61
204-12	3/4																204-12		0.59
204																	204		0.59
SUCF 205-13	13/16																SUC 205-13		0.83
205-14	7/8																205-14		0.83
205-15	15/16	25	3/47/64	1/16	2/3/4	15/32	3/5/64	5/8	1/13/32	1.3425	0.5630	10	3/8				205-15	SF 205	0.83
205			95	27	70	12	14	16	35.8	34.1	14.3						205		0.83
205-16	1																205-16		0.83
SUCF 206-17	11/16																SUC 206-17		1.1
206-18	11/8	30	4/1/4	1/7/32	3/17/64	15/32	3/5/64	4/5/64	1/37/64	1.5000	0.6260	10	3/8				206-18	SF 206	1.1
206			108	31	83	12	14	18	40.2	38.1	15.9						206		1.1
206-19	13/16																206-19		1.1
206-20	1/4																206-20		1.1
SUCF 207-20	11/4																SUC 207-20		1.5
207-21	15/16																207-21		1.5
207-22	13/8	35	4/9/16	1/11/32	3/5/8	3/5/64	3/39/64	3/4	1/3/4	1.6890	0.6890	12	7/16				207-22	SF 207	1.5
207			116	34	92	14	15.5	19	44.4	42.9	17.5						207		1.5
207-23	1/7/16																207-23		1.5
SUCF 208-24	11/2																SUC 208-24		1.9
208-25	1/9/16	40	5/5/64	1/27/64	4/1/32	5/8	3/39/64	5/5/64	2/1/64	1.9370	0.7480	14	1/2				208-25	SF 208	1.9
208			129	36	102	16	15.5	21	51.2	49.2	19.0						208		1.9
SUCF 209-26	15/8																SUC 209-26		2.2
209-27	11/16																209-27		2.2
209-28	13/4	45	5/3/8	1/1/2	4/9/64	5/8	1/11/16	5/5/64	2/1/16	1.9370	0.7480	14	1/2				209-28	SF 209	2.2
209			136.5	38	105	16	17.5	22	52.2	49.2	19.0						209		2.2
SUCF 210-29	113/16																SUC 210-29		2.5
210-30	17/8																210-30		2.5
210-31	115/16	50	5/39/64	1/37/64	4/3/8	5/8	1/11/16	5/5/64	2/5/32	2.0315	0.7480	14	1/2				210-31	SF 210	2.5
210			142.5	40	111	16	17.5	22	54.6	51.6	19.0						210		2.5
210-32	2																210-32		2.5
SUCF 211-31	115/16																SUC 211-31		3.4
211-32	2																211-32		3.4
211-34	21/8	55	6/3/8	1/11/16	5/1/8	3/4	4/9/64	1	2/19/64	2.1890	0.8740	16	5/8				211-34	SF 211	3.4
211			162	43	130	19	19.5	25	58.4	55.6	22.2						211		3.4
211-35	23/16																211-35		3.4
SUCF 212-36	21/4	60	6/57/64	1/57/64	5/5/8	3/4	4/9/64	1/9/64	2/45/64	2.5630	1.0000	16	5/8				SUC 212-36		4.2
212			175	48	143	19	19.5	29	68.7	65.1	25.4						212		4.2
212-37	23/16																212-37	SF 212	4.2
212-38	23/8																212-38		4.2
212-39	27/16																212-39		4.2

STAINLESS SERIES OVAL FLANGE TYPE UNITS

# SUCFL2

(Cylindrical bore)

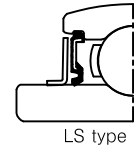
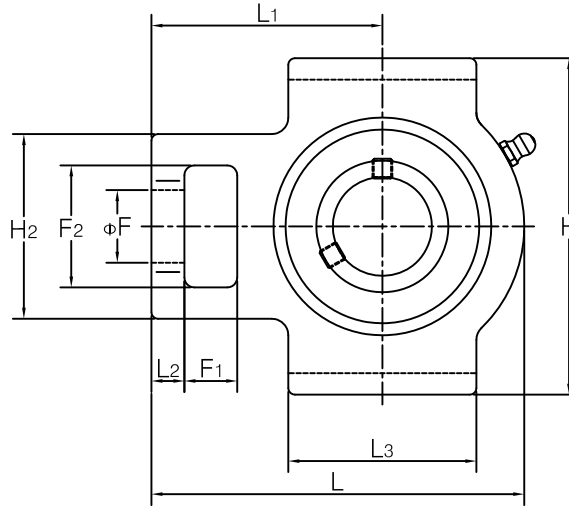
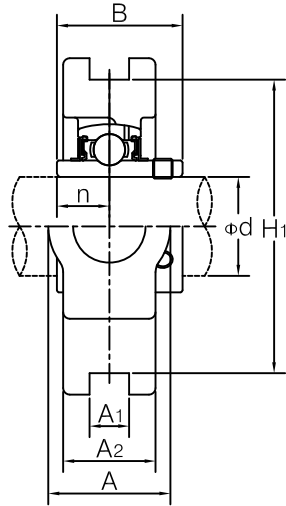


Unit No.	Shaft Dia. d		Dimensions (in./mm)									Bolt used		Bearing No.	Housing No.	Weight (kgf)											
	(in.)	(mm)	H	L	A	J	F	A <sub>1</sub>	A <sub>2</sub>	A <sub>0</sub>	B	n	(mm)				(in.)										
SUCFL 201	1/2	12	413/32	223/64	1	335/64	15/32	7/16	19/32	15/16	1.2205	0.5000	10	3/8	SUC 201	SFL 204	0.50										
201-8		15															0.50										
202		17															0.48										
202-10		112															60	25.5	90	12	11	15	33.3	31.0	12.7	0.48	
203	5/8	17	413/32	223/64	1	335/64	15/32	7/16	19/32	15/16	1.2205	0.5000	10	3/8	SUC 203	SFL 204	0.47										
203-11	11/16	17	413/32	223/64	1	335/64	15/32	7/16	19/32	15/16	1.2205	0.5000	10	3/8	SUC 203	SFL 204	0.47										
204-12	3/4	20	413/32	223/64	1	335/64	15/32	7/16	19/32	15/16	1.2205	0.5000	10	3/8	SUC 204	SFL 204	0.45										
204	11/16	20	413/32	223/64	1	335/64	15/32	7/16	19/32	15/16	1.2205	0.5000	10	3/8	SUC 204	SFL 204	0.45										
SUCFL 205-13	13/16	25	459/64	29/16	11/16	357/64	5/8	31/64	5/8	113/32	1.3425	0.5630	14	1/2	SUC 205-13	SFL 205	0.64										
205-14	7/8																125	65	27	99	16	12.5	16	35.8	34.1	14.3	0.64
205-15	15/16																125	65	27	99	16	12.5	16	35.8	34.1	14.3	0.64
205	1																125	65	27	99	16	12.5	16	35.8	34.1	14.3	0.64
205-16	1	25	459/64	29/16	11/16	357/64	5/8	31/64	5/8	113/32	1.3425	0.5630	14	1/2	SUC 205-16	SFL 205	0.64										
SUCFL 206-17	11/16	30	59/16	3	17/32	439/64	5/8	31/64	45/64	137/64	1.5000	0.6260	14	1/2	SUC 206-17	SFL 206	0.93										
206-18	11/8																141	76	31	117	16	12.5	18	40.2	38.1	15.9	0.93
206	13/16																141	76	31	117	16	12.5	18	40.2	38.1	15.9	0.93
206-19	11/4																141	76	31	117	16	12.5	18	40.2	38.1	15.9	0.93
206-20	11/4	30	59/16	3	17/32	439/64	5/8	31/64	45/64	137/64	1.5000	0.6260	14	1/2	SUC 206-20	SFL 206	0.93										
SUCFL 207-20	11/4	35	69/64	325/64	111/32	51/8	5/8	17/32	3/4	13/4	1.6890	0.6890	14	1/2	SUC 207-20	SFL 207	1.2										
207-21	15/16																156	86	34	130	16	13.5	19	44.4	42.9	17.5	1.2
207-22	13/8																156	86	34	130	16	13.5	19	44.4	42.9	17.5	1.2
207	17/16																156	86	34	130	16	13.5	19	44.4	42.9	17.5	1.2
207-23	17/16	35	69/64	325/64	111/32	51/8	5/8	17/32	3/4	13/4	1.6890	0.6890	14	1/2	SUC 207-23	SFL 207	1.2										
SUCFL 208-24	11/2	40	649/64	325/32	127/64	543/64	5/8	17/32	53/64	21/64	1.9370	0.7480	14	1/2	SUC 208-24	SFL 208	1.6										
208-25	19/16																172	96	36	144	16	13.5	21	51.2	49.2	19.0	1.6
208	19/16																172	96	36	144	16	13.5	21	51.2	49.2	19.0	1.6
SUCFL 209-26	15/8																40	649/64	325/32	127/64	543/64	5/8	17/32	53/64	21/64	1.9370	0.7480
209-27	111/16	180	102	38	148	19	13.5	22	52.2	49.2	19.0	1.9	5/8	SUC 209-26	SFL 209	1.9											
209-28	13/4	180	102	38	148	19	13.5	22	52.2	49.2	19.0	1.9	5/8	SUC 209-27	SFL 209	1.9											
209	13/4	180	102	38	148	19	13.5	22	52.2	49.2	19.0	1.9	5/8	SUC 209-28	SFL 209	1.9											
SUCFL 210-29	113/16	50	731/64	41/4	137/64	63/16	3/4	37/64	55/64	25/32	2.0315	0.7480	16	5/8	SUC 210-29	SFL 210	2.2										
210-30	17/8																190	108	40	157	19	14.5	22	54.6	51.6	19.0	2.2
210-31	115/16																190	108	40	157	19	14.5	22	54.6	51.6	19.0	2.2
210	2																190	108	40	157	19	14.5	22	54.6	51.6	19.0	2.2
210-32	2	50	731/64	41/4	137/64	63/16	3/4	37/64	55/64	25/32	2.0315	0.7480	16	5/8	SUC 210-30	SFL 210	2.2										
SUCFL 211-31	115/16	55	83/4	459/64	139/64	71/4	3/4	43/64	1	219/64	2.1890	0.8740	16	5/8	SUC 211-31	SFL 211	3.3										
211-32	2																222	125	41	184	19	17	25	58.4	55.6	22.2	3.3
211-34	21/8																222	125	41	184	19	17	25	58.4	55.6	22.2	3.3
211	23/16																222	125	41	184	19	17	25	58.4	55.6	22.2	3.3
211-35	23/16	55	83/4	459/64	139/64	71/4	3/4	43/64	1	219/64	2.1890	0.8740	16	5/8	SUC 211-32	SFL 211	3.3										
SUCFL 212-36	21/4	60	917/32	53/16	113/16	761/64	29/32	43/64	19/64	545/64	2.5630	1.0000	20	3/4	SUC 212-36	SFL 212	4.2										
212	21/4																242	135	46	202	23	17	29	68.7	65.1	25.4	4.2
212-37	25/16																242	135	46	202	23	17	29	68.7	65.1	25.4	4.2
212-38	23/8																242	135	46	202	23	17	29	68.7	65.1	25.4	4.2
212-39	27/16	60	917/32	53/16	113/16	761/64	29/32	43/64	19/64	545/64	2.5630	1.0000	20	3/4	SUC 212-37	SFL 212	4.2										
212	21/4	242	135	46	202	23	17	29	68.7	65.1	25.4	4.2															
212-37	25/16	242	135	46	202	23	17	29	68.7	65.1	25.4	4.2															
212-38	23/8	242	135	46	202	23	17	29	68.7	65.1	25.4	4.2															
212-39	27/16	242	135	46	202	23	17	29	68.7	65.1	25.4	4.2															

STAINLESS SERIES TAKE-UP TYPE UNITS

# SUCT2

(Cylindrical bore)

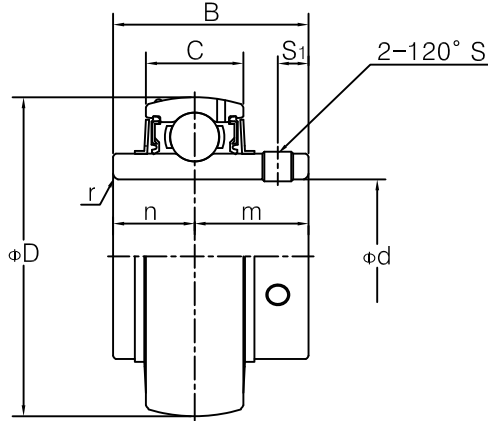


Unit No.	Shaft Dia.		Dimensions (in./mm)															Bearing No.	Housing No.	Weight (kgf)
	(in.)	(mm)	A	A1	A2	H	H1	H2	L	L1	L2	L3	F	F1	F2	B	n			
SUCT 201		12																SUC 201		0.81
201-8	1/2	15																SUC 201-8		0.81
202		17	1 17/64	15/32	25/32	3 1/2	2 63/64	1 31/32	3 5/8	2 7/16	23/64	1 37/64	3/4	25/32	1 17/64	1.2205	0.5000	202	ST 204	0.79
202-10	5/8	17	32	12	20	89	76	50	92	62	9	40	19	20	32	31.0	12.7	202-10		0.79
203		20																203		0.78
203-11	11/16	20																203-11		0.78
204-12	3/4	20																204-12		0.76
204		25																204		0.76
SUCT 205-13	13/16																	SUC 205-13		0.84
205-14	7/8		1 17/64	15/32	53/64	3 1/2	2 63/64	1 31/32	3 47/64	2 7/16	23/64	1 37/64	3/4	25/32	1 17/64	1.3425	0.5630	205-14	ST 205	0.84
205-15	15/16	25	32	12	21	89	76	50	95	62	9	40	19	20	32	34.1	14.3	205-15		0.84
205		30																205		0.84
205-16	1	30																205-16		0.84
SUCT 206-17	1 1/16																	SUC 206-17		1.3
206-18	1 1/8		1 29/64	15/32	15/16	4 1/4	3 1/2	2 11/64	4 3/8	2 3/4	23/64	1 27/32	55/64	25/32	1 29/64	1.5000	0.6260	206-18	ST 206	1.3
206		30	37	12	24	102	89	55	111	70	9	47	22	20	37	38.1	15.9	206		1.3
206-19	1 3/16																	206-19		1.3
206-20	1 1/4																	206-20		1.3
SUCT 207-20	1 1/4																	SUC 207-20		1.6
207-21	1 5/16		1 29/64	15/32	1	4 1/4	3 1/2	2 1/4	4 59/64	3 5/64	25/64	2 1/8	55/64	15/16	1 29/64	1.6890	1.6890	207-21	ST 207	1.6
207-22	1 3/8		37	12	25	102	89	57	125	78	10	54	22	24	37	42.9	17.5	207-22		1.6
207		35																207		1.6
207-23	1 7/16																	207-23		1.6
SUCT 208-24	1 1/2																	SUC 208-24		2.5
208-25	1 9/16		1 59/64	5/8	1 3/16	4 31/64	4 1/64	3 1/32	5 33/64	3 15/32	35/64	2 7/8	1 3/16	1	1 59/64	1.9370	0.7480	208-25	ST 208	2.5
208		40	49	16	30	114	102	77	140	88	14	73	29	25	49	49.2	19.0	208		2.5
SUCT 209-26	1 5/8																	SUC 209-26		2.4
209-27	1 11/16		1 59/64	5/8	1 7/32	4 39/64	4 1/64	3 1/32	5 33/64	3 27/64	35/64	2 7/8	1 3/16	1	1 59/64	1.9370	0.7480	209-27	ST 209	2.4
209-28	1 3/4		49	16	31	117	102	77	140	87	14	73	29	25	49	49.2	19.0	209-28		2.4
209		45																209		2.4
SUCT 210-29	1 13/16																	SUC 210-29		2.6
210-30	1 7/8		1 59/64	5/8	1 19/64	4 39/64	4 1/64	3 1/32	5 43/64	3 35/64	35/64	2 63/64	1 3/16	1	1 59/64	2.0315	0.7480	210-30	ST 210	2.6
210-31	1 15/16		49	16	33	117	102	77	144	90	14	76	29	25	49	51.6	19.0	210-31		2.6
210		50																210		2.6
210-32	2																	210-32		2.6
SUCT 211-31	1 15/16																	SUC 211-31		4.0
211-32	2		2 33/64	55/64	1 27/64	5 3/4	5 1/8	3 35/64	6 29/64	4 11/64	45/64	3 11/32	1 3/8	1 7/64	2 33/64	2.1890	0.8740	211-32	ST 211	4.0
211-34	2 1/8		64	22	36	146	130	90	164	106	18	85	35	28	64	55.6	22.2	211-34		4.0
211		55																211		4.0
211-35	2 3/16																	211-35		4.0
SUCT 212-36	2 1/4																	SUC 212-36		4.9
212		60																212	ST 212	4.9
212-37	2 5/16		2 33/64	55/64	1 1/2	5 3/4	5 1/8	3 35/64	7 9/32	4 11/16	45/64	3 5/8	1 3/8	1 3/8	2 33/64	2.5630	1.0000	212-37		4.9
212-38	2 3/8		64	22	38	146	130	90	185	119	18	92	35	35	64	65.1	25.4	212-38		4.9
212-39	2 7/16																	212-39		4.9

STAINLESS SERIES SET SCREW TYPE BEARINGS

# SUC2

(Cylindrical bore)



Unit No.	Shaft Dia.		Dimensions (in./mm)								Basic dynamic load rating (kgf)	Basic static load rating (kgf)	Weight (kgf)
	(in.)	(mm)	D	B	C	r	n	m	S <sub>1</sub>	S			
SUC 201		12											0.21
SUC 201-8	1/2	15											0.21
SUC 202		15											0.19
SUC 202-10	5/8	17	1.8504	1.2205	0.6299	0.0397	0.5000	0.7205	0.1969	M5 x 0.8	1280	670	0.19
SUC 203		17	47	31.0	16	1.0	12.7	18.3	5	No.10-32UNF			0.18
SUC 203-11	11/16	17											0.18
SUC 204-12	3/4	20											0.16
SUC 204		20											0.16
SUC 205-13	13/16	25											0.23
SUC 205-14	7/8	25	2.0472	1.3425	0.6693	0.0397	0.5630	0.7795	0.2165	M5 x 0.8	1400	790	0.23
SUC 205-15	15/16	25	52	34.1	17	1.0	14.3	19.8	5.5	No.10-32UNF			0.21
SUC 205		25											0.20
SUC 205-16	1	25											0.20
SUC 206-17	1 1/16	30											0.34
SUC 206-18	1 1/8	30	2.4409	1.5000	0.7480	0.0591	0.6260	0.8740	0.2165	M6 x 0.75	1950	1130	0.34
SUC 206		30	62	38.1	19	1.5	15.9	22.2	5.5	1/4-28UNF			0.32
SUC 206-19	1 3/16	30											0.32
SUC 206-20	1 1/4	30											0.32
SUC 207-20	1 1/4	35											0.54
SUC 207-21	1 5/16	35	2.8346	1.6890	0.7874	0.0591	0.6890	1.0000	0.2559	M6 x 0.75	2570	1540	0.51
SUC 207-22	1 3/8	35	72	42.9	20	1.5	17.5	25.4	6.5	1/4-28UNF			0.48
SUC 207		35											0.48
SUC 207-23	1 7/16	35											0.45
SUC 208-24	1 1/2	40											0.68
SUC 208-25	1 9/16	40	3.1496	1.9370	0.8268	0.0787	0.7480	1.1890	0.3346	M8 x 1.0	2910	1790	0.65
SUC 208		40	80	49.2	21	2.0	19.0	30.2	8.5	5/16-24UNF			0.64
SUC 209-26	1 5/8	45											0.78
SUC 209-27	1 11/16	45	3.3465	1.9370	0.8661	0.0787	0.7480	1.1890	0.3346	M8 x 1.0	3200	2040	0.74
SUC 209-28	1 3/4	45	85	49.2	22	2.0	19.0	30.2	8.5	5/16-24UNF			0.70
SUC 209		45											0.68
SUC 210-29	1 13/16	50											0.87
SUC 210-30	1 7/8	50	3.5433	2.0315	0.9055	0.0787	0.7480	1.2835	0.3937	M8 x 1.0	3510	2320	0.87
SUC 210-31	1 15/16	50	90	51.6	23	2.0	19.0	32.6	10	5/16-24UNF			0.82
SUC 210		50											0.80
SUC 210-32	2	50											0.80
SUC 211-31	1 15/16	55											1.26
SUC 211-32	2	55	3.9370	2.1890	0.9843	0.0787	0.8740	1.3150	0.3937	M8 x 1.0	4330	2940	1.26
SUC 211-34	2 1/8	55	100	55.6	25	2.0	22.2	33.4	10	5/16-24UNF			1.15
SUC 211		55											1.11
SUC 211-35	2 3/16	55											1.09
SUC 212-36	2 1/4	60											1.67
SUC 212		60	4.3307	2.5630	1.0630	0.0984	1.0000	1.5630	0.4724	M10 x 1.25	5240	3610	1.54
SUC 212-37	2 5/16	60	110	65.1	27	2.5	25.4	39.7	12	3/8-24UNF			1.54
SUC 212-38	2 3/8	60											1.52
SUC 212-39	2 7/16	60											1.45