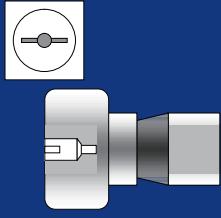


CAM FOLLOWERS

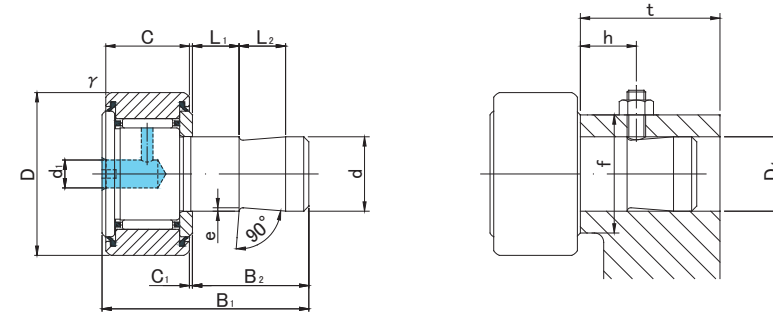
EASY MOUNTING TYPE
SCREWDRIVER SLOT HEAD



CF-SFU



CF-SFU.V



CF-SFU TYPE

Prepacked Grease

| Stud diameter (mm) | Designation R500(CF6~CF18) R1000(CF20) | Dimensions (mm) | | | | | | | | | | | | | | Mounting dimensions (mm) | Basic dynamic load rating | Basic static load rating | Largest permissible load | Limiting speed | Track load capacity | | Mass | | |
|--------------------|--|------------------------|--------------------|----|----|------|----|-----|----|----|----|-----|-----|--------|--------------|--------------------------|---------------------------|--------------------------|--------------------------|----------------|---------------------|--------|--------|---------|------|
| | | Cylindrical outer ring | Crowned outer ring | D | C | d | B1 | B2 | C1 | L1 | L2 | d1 | e | rs min | D1 Tolerance | | | | | | t Min | f Min | | h (Ref) | Cr N |
| 6 | CF-SFU-6 | CF-SFU-6R | 16 | 11 | 6 | 32 | 20 | 0.6 | 5 | 10 | 4 | 0.3 | 0.3 | 6 | +0.012 0 | 20 | 11 | 10 | 3 630 | 3 630 | 2 110 | 17 500 | 3 430 | 1 080 | 19 |
| | CF-SFU-6V | CF-SFU-6VR | | | | | | | | | | | | | | | | | 6 960 | 8 530 | 2 110 | 8 400 | 3 430 | 1 080 | |
| 8 | CF-SFU-8 | CF-SFU-8R | 19 | 11 | 8 | 32 | 20 | 0.6 | 5 | 10 | 4 | 0.5 | 0.3 | 8 | +0.015 0 | 20 | 13 | 10 | 4 310 | 4 710 | 4 710 | 14 000 | 4 020 | 1 370 | 28.5 |
| | CF-SFU-8V | CF-SFU-8VR | | | | | | | | | | | | | | | | | 8 130 | 11 170 | 4 710 | 6 300 | 4 020 | 1 370 | |
| 10 | CF-SFU-10 | CF-SFU-10R | 22 | 12 | 10 | 33 | 20 | 0.6 | 5 | 10 | 4 | 0.5 | 0.3 | 10 | +0.015 0 | 20 | 15 | 10 | 5 390 | 6 860 | 6 860 | 11 900 | 4 700 | 1 670 | 43 |
| | CF-SFU-10V | CF-SFU-10VR | | | | | | | | | | | | | | | | | 9 510 | 14 500 | 7 450 | 5 250 | 4 700 | 1 670 | |
| 10 | CF-SFU-10-1 | CF-SFU-10-1R | 26 | 12 | 10 | 33 | 20 | 0.6 | 5 | 10 | 4 | 0.5 | 0.3 | 10 | +0.015 0 | 20 | 15 | 10 | 5 390 | 6 860 | 6 860 | 11 900 | 5 490 | 2 060 | 58.5 |
| | CF-SFU-10-1V | CF-SFU-10-1VR | | | | | | | | | | | | | | | | | 9 510 | 14 500 | 7 450 | 5 250 | 5 490 | 2 060 | |
| 12 | CF-SFU-12 | CF-SFU-12R | 30 | 14 | 12 | 35 | 20 | 0.6 | 5 | 10 | 6 | 1 | 0.6 | 12 | +0.018 0 | 20 | 20 | 10 | 7 940 | 9 800 | 9 800 | 9 800 | 7 060 | 2 450 | 93 |
| | CF-SFU-12V | CF-SFU-12VR | | | | | | | | | | | | | | | | | 13 430 | 19 700 | 11 270 | 4 200 | 7 060 | 2 450 | |
| 12 | CF-SFU-12-1 | CF-SFU-12-1R | 32 | 14 | 12 | 35 | 20 | 0.6 | 5 | 10 | 6 | 1 | 0.6 | 12 | +0.018 0 | 20 | 20 | 10 | 7 940 | 9 800 | 9 800 | 9 800 | 7 450 | 2 740 | 103 |
| | CF-SFU-12-1V | CF-SFU-12-1VR | | | | | | | | | | | | | | | | | 13 430 | 19 700 | 11 270 | 4 200 | 7 450 | 2 740 | |
| 16 | CF-SFU-16 | CF-SFU-16R | 35 | 18 | 16 | 44.5 | 25 | 0.8 | 10 | 10 | 6 | 1 | 0.6 | 16 | +0.018 0 | 25 | 24 | 15 | 12 050 | 18 330 | 18 330 | 7 000 | 11 200 | 3 140 | 164 |
| | CF-SFU-16V | CF-SFU-16VR | | | | | | | | | | | | | | | | | 20 680 | 37 630 | 19 800 | 3 150 | 11 200 | 3 140 | |
| 18 | CF-SFU-18 | CF-SFU-18R | 40 | 20 | 18 | 46.5 | 25 | 0.8 | 10 | 10 | 6 | 1 | 1 | 18 | +0.018 0 | 25 | 26 | 15 | 14 700 | 25 200 | 25 200 | 5 950 | 14 400 | 3 720 | 235 |
| | CF-SFU-18V | CF-SFU-18VR | | | | | | | | | | | | | | | | | 25 280 | 51 350 | 26 560 | 2 450 | 14 400 | 3 720 | |
| 20 | CF-SFU-20 | CF-SFU-20R | 52 | 24 | 20 | 50.5 | 25 | 0.8 | 10 | 10 | 8 | 1 | 1 | 20 | +0.021 0 | 25 | 36 | 15 | 20 680 | 34 600 | 32 140 | 4 900 | 23 200 | 8 230 | 436 |
| | CF-SFU-20V | CF-SFU-20VR | | | | | | | | | | | | | | | | | 33 120 | 64 480 | 32 140 | 2 450 | 23 200 | 8 230 | |
| 20 | CF-SFU-20-1 | CF-SFU-20-1R | 47 | 24 | 20 | 50.5 | 25 | 0.8 | 10 | 10 | 8 | 1 | 1 | 20 | +0.021 0 | 25 | 36 | 15 | 20 680 | 34 600 | 32 140 | 4 900 | 21 000 | 7 150 | 361 |
| | CF-SFU-20-1V | CF-SFU-20-1VR | | | | | | | | | | | | | | | | | 32 120 | 64 480 | 32 140 | 2 450 | 21 000 | 7 150 | |

OUTER RINGS TOLERANCE (μm)

| TYPE | Cylindrical outer ring | Crowned outer ring |
|-------------------------|------------------------|--------------------|
| CF6 | 0/-8 | 0/-50 |
| CF8,CF10,CF10-1,CF12 | 0/-9 | 0/-50 |
| CF12-1,CF16,CF18,CF20-1 | 0/-11 | 0/-50 |
| CF20 | 0/-13 | 0/-50 |

ACCESSORIES

| TYPE | STOP PLUG | RESIN PLUG |
|-----------------------|--------------|--------------|
| CF6/CF8/CF10/CF10-1 | — | φ 4 Attached |
| CF12/CF12-1/CF16/CF18 | φ 6 Attached | φ 6 Attached |
| CF20/CF20-1 | φ 8 Attached | φ 8 Attached |