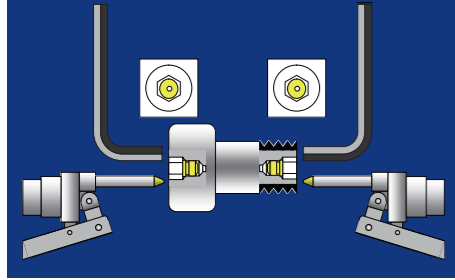


# CAM FOLLOWERS

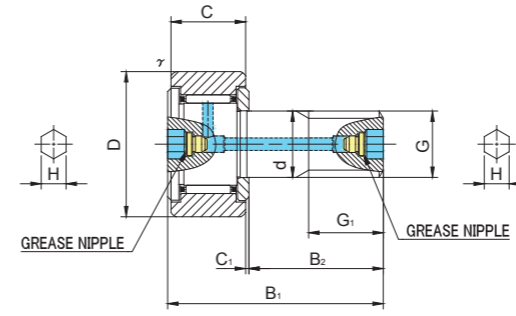
HEXAGON SOCKET ON BOTH SIDES  
GREASE NIPPLE INSTALLED



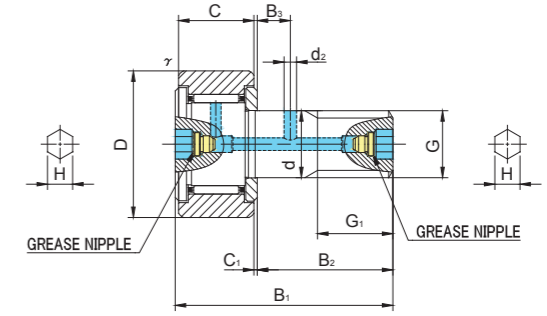
CF..AB



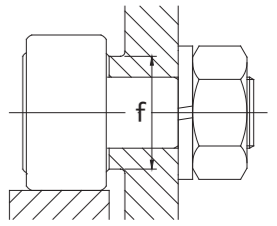
CF..VAB



CF10(V)ABK~CF10-1(V)ABK



CF12(V)AB~CF18(V)AB



## CF..AB TYPE

Prepacked Grease

Stud diameter (mm)	Designation	Dimensions (mm)															Basic dynamic load rating	Basic static load rating	Largest permissible load	Limiting speed *	Track load capacity		Max tightening torque	Mass	
		Cylindrical outer ring				Crowned outer ring				Other dimensions											Cylindrical outer ring N	Crowned outer ring N			N·m
h7 tolerance	Without seals	With seals	Without seals	With seals	D	C	d	G	G1	B1	B2	B3	C1	d2	H	rs min	f min	Cr N	Cor N	N	rpm	N	N	N·m	g (approx)
10	CF10ABK	CF10UUABK	CF10RABK	CF10UURABK	22	12	10	M10×1	12	36	23	—	0.6	—	5	0.3	15	5 390	6 860	6 860	17 000	4 700	1 670	15	45
	CF10VABK	CF10VUUABK	CF10VRABK	CF10VUURABK														9 510	14 500	7 450	7 500				
10	CF10-1ABK	CF10-1UUABK	CF10-1RABK	CF10-1UURABK	26	12	10	M10×1	12	36	23	—	0.6	—	5	0.3	15	5 390	6 860	6 860	17 000	5 490	2 060	15	60
	CF10-1VABK	CF10-1VUUABK	CF10-1VRABK	CF10-1VUURABK														9 510	14 500	7 450	7 500				
12	CF12AB	CF12UUAB	CF12RAB	CF12UURAB	30	14	12	M12×1.5	13	40	25	6	0.6	3	6	0.6	20	7 940	9 800	9 800	14 000	7 060	2 450	22	95
	CF12VAB	CF12VUUAB	CF12VRAB	CF12VUURAB														13 430	19 700	11 270	6 000				
12	CF12-1AB	CF12-1UUAB	CF12-1RAB	CF12-1UURAB	32	14	12	M12×1.5	13	40	25	6	0.6	3	6	0.6	20	7 940	9 800	9 800	14 000	7 450	2 740	22	105
	CF12-1VAB	CF12-1VUUAB	CF12-1VRAB	CF12-1VUURAB														13 430	19 700	11 270	6 000				
16	CF16AB	CF16UUAB	CF16RAB	CF16UURAB	35	18	16	M16×1.5	17	52	32.5	8	0.8	3	6	0.6	24	12 050	18 330	18 330	10 000	11 200	3 140	58	170
	CF16VAB	CF16VUUAB	CF16VRAB	CF16VUURAB														20 680	37 630	19 800	4 500				
18	CF18AB	CF18UUAB	CF18RAB	CF18UURAB	40	20	18	M18×1.5	19	58	36.5	8	0.8	3	6	1	26	14 700	25 200	25 200	8 500	14 400	3 720	87	250
	CF18VAB	CF18VUUAB	CF18VRAB	CF18VUURAB														25 280	51 350	26 560	3 500				
20	CF20AB	CF20UUAB	CF20RAB	CF20UURAB	52	24	20	M20×1.5	21	66	40.5	9	0.8	4	8	1	36	20 680	34 600	32 140	7 000	23 200	8 230	120	460
	CF20VAB	CF20VUUAB	CF20VRAB	CF20VUURAB														33 120	64 480	32 140	3 500				

CF..AB TYPE has oil holes (grease nipple) which are prepared in the stud head and thread side, also an oil hole is prepared in the outer surface of stud.

\* Without seals, suitable for grease lubrication. In case of oil lubrication, up to 130% of this value shall be permissible, and 70% of this value shall apply for types with seals.

### OUTER RINGS TOLERANCE (μm)

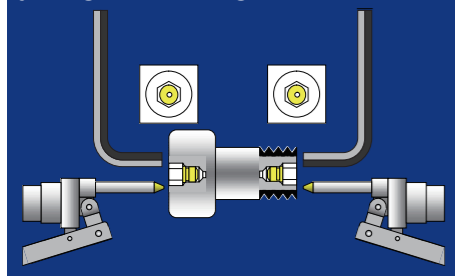
TYPE	Cylindrical outer ring	Crowned outer ring
CF10,CF10-1,CF12	0/-9	0/-50
CF12-1,CF16,CF18,CF20-1	0/-11	0/-50
CF20,CF24,CF24-1,CF30	0/-13	0/-50
CF30-1,CF30-2	0/-15	0/-50

### ACCESSORIES

TYPE	Grease Nipple	NUT
All types	Installed	Attached

# CAM FOLLOWERS

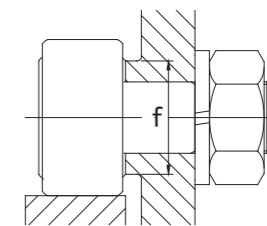
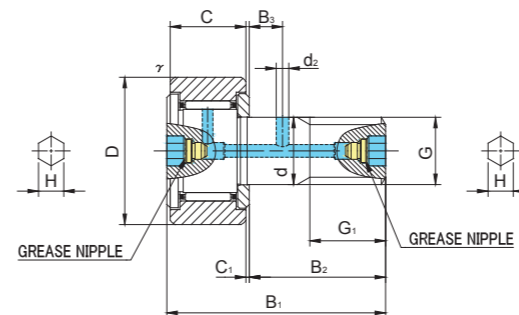
HEXAGON SOCKET ON BOTH SIDES  
GREASE NIPPLE INSTALLED



CF..AB



CF..VAB



## CF..AB TYPE

Prepacked Grease

Stud diameter (mm)	Designation	Dimensions (mm)															Basic dynamic load rating	Basic static load rating	Largest permissible load	Limiting speed *	Track load capacity		Max tightening torque	Mass	
		Cylindrical outer ring				Crowned outer ring R1000(CF20 ≤)				Other dimensions											Cylindrical outer ring N	Crowned outer ring N			N·m
h7 tolerance	Without seals	With seals	Without seals	With seals	D	C	d	G	G1	B1	B2	B3	C1	d2	H	r <sub>s</sub> min	f min	Cr N	Cor N	N	rpm	Cylindrical outer ring N	Crowned outer ring N	N·m	g (approx)
20	CF20-1AB	CF20-1UUAB	CF20-1RAB	CF20-1UURAB	47	24	20	M20×1.5	21	66	40.5	9	0.8	4	8	1	36	20 680	34 600	32 140	7 000	21 000	7 150	120	385
	CF20-1VAB	CF20-1VUUAB	CF20-1VRAB	CF20-1VUURAB														33 120	64 480	32 140	3 500				
24	CF24AB	CF24UUAB	CF24RAB	CF24UURAB	62	29	24	M24×1.5	25	80	49.5	11	0.8	4	8	1	40	30 480	52 630	49 500	6 500	34 200	10 500	220	815
	CF24VAB	CF24VUUAB	CF24VRAB	CF24VUURAB														46 550	92 020	49 500	3 000				
24	CF24-1AB	CF24-1UUAB	CF24-1RAB	CF24-1UURAB	72	29	24	M24×1.5	25	80	49.5	11	0.8	4	8	1	40	30 480	52 630	49 500	6 500	39 800	12 900	220	1 140
	CF24-1VAB	CF24-1VUUAB	CF24-1VRAB	CF24-1VUURAB														46 550	92 020	49 500	3 000				
30	CF30AB	CF30UUAB	CF30RAB	CF30UURAB	80	35	30	M30×1.5	32	100	63	15	1	4	8	1	46	45 370	85 060	73 700	5 000	52 600	14 900	450	1 870
	CF30VAB	CF30VUUAB	CF30VRAB	CF30VUURAB														67 620	144 060	73 700	2 200				
30	CF30-1AB	CF30-1UUAB	CF30-1RAB	CF30-1UURAB	85	35	30	M30×1.5	32	100	63	15	1	4	8	1	46	45 370	85 060	73 700	5 000	56 000	16 100	450	2 030
	CF30-1VAB	CF30-1VUUAB	CF30-1VRAB	CF30-1VUURAB														67 620	144 060	73 700	2 200				
30	CF30-2AB	CF30-2UUAB	CF30-2RAB	CF30-2UURAB	90	35	30	M30×1.5	32	100	63	15	1	4	8	1	46	45 370	85 060	73 700	5 000	59 300	17 300	450	2 220
	CF30-2VAB	CF30-2VUUAB	CF30-2VRAB	CF30-2VUURAB														67 620	144 060	73 700	2 200				

CF..AB TYPE has oil holes (grease nipple) which are prepared in the stud head and thread side, also an oil hole is prepared in the outer surface of stud.

\* Without seals, suitable for grease lubrication. In case of oil lubrication, up to 130% of this value shall be permissible, and 70% of this value shall apply for types with seals.

### OUTER RINGS TOLERANCE (μm)

TYPE	Cylindrical outer ring	Crowned outer ring
CF10,CF10-1,CF12	0/-9	0/-50
CF12-1,CF16,CF18,CF20-1	0/-11	0/-50
CF20,CF24,CF24-1,CF30	0/-13	0/-50
CF30-1,CF30-2	0/-15	0/-50

### ACCESSORIES

TYPE		
All types	Installed	Attached